



Steel Step & Bench Specifications

Gravel Filled Steps, Benches and Cuddle Covers

Version 7

All Rights Reserved © Megna Plastic Packaging Corp

STEP TABLE OF CONTENTS

DESCRIPTION	PAGE NO.
GENERAL NOTES	06
WHAT'S NEW	07
FILL TYPE STEP INFO	
TYPICAL FILL STEP FEATURES	08
GENERAL FILL TYPE ASSEMBLY INSTRUCTIONS	09 - 14
EXPLODED VIEW OF A FILL STEP	15
TREAD RISER CONFIGURATION FOR A TYPICAL 42" - 48" – 52" – 60" – 72"	16
FLANGE TYPES	17
LINER TAB-LOCK FEATURES	18
FILL TYPE CORNER STEPS	
8'-6" (6 X 6) CORNER FILL STEP	19
9'-11" (7 X 7) CORNER FILL STEP	20
9'-11" (7 X 7) CORNER FILL STEP	21
12'-9" (9 X 9) CORNER FILL STEP	22
FILL TYPE STRAIGHT STEPS (6" RAD / SQUARE CORNER)	
4'-0" STRAIGHT FILL STEP	23
6'-0" STRAIGHT FILL STEP	24
8'-0" STRAIGHT FILL STEP	25
10'-0" STRAIGHT FILL STEP	26
12'-0" STRAIGHT FILL STEP	27
14'-0" STRAIGHT FILL STEP	28
16'-0" STRAIGHT FILL STEP	29
18'-0" STRAIGHT FILL STEP	30
20'-0" STRAIGHT FILL STEP	31

FILL TYPE STRAIGHT STEPS (24" RAD CORNER)

6'-0" STRAIGHT FILL STEP	32
8'-0" STRAIGHT FILL STEP	33
10'-0" STRAIGHT FILL STEP	34
12'-0" STRAIGHT FILL STEP	35
14'-0" STRAIGHT FILL STEP	36
16'-0" STRAIGHT FILL STEP	37
18'-0" STRAIGHT FILL STEP	38
20'-0" STRAIGHT FILL STEP	39

FILL TYPE RADIUS STEPS

11'-4" X 6'-0" RADIUS FILL STEP	40
12'-8" X 7'-0" RADIUS FILL STEP	41
13'-10 X 8'-0" RADIUS FILL STEP	42
15'-0" X 9'-0" RADIUS FILL STEP	43
16'-0" X 10'-0" RADIUS FILL STEP	44
17'-0" X 11'-0" RADIUS FILL STEP	45
17'-11" X 12'-0" RADIUS FILL STEP	46

FILL TYPE ROMAN STEPS

10'-0" X 4'-6" ROMAN FILL STEP	47
12'-0" X 6'-0" ROMAN FILL STEP	48
14'-0" X 7'-0" ROMAN FILL STEP	49
16'-0" X 9'-0" ROMAN FILL STEP	50

FILL TYPE STRAIGHT BOX WEDDING CAKE STEPS

8'-0" X 180° BOX WEDDING CAKE FILL STEP	51
---	----

FILL TYPE CORNER BOX WEDDING CAKE STEPS

6'-0" CORNER BOX WEDDING CAKE FILL STEP	
7'-0" CORNER BOX WEDDING CAKE FILL STEP	52 - 53
8'-0" CORNER BOX WEDDING CAKE FILL STEP	54 - 55
	56 - 57

FILL TYPE STRAIGHT WEDDING CAKE STEPS

8'-0" X 180° WEDDING CAKE STEP 58

FILL TYPE CORNER WEDDING CAKE STEPS

7'-1" (5 X 5) CORNER WEDDING CAKE FILL STEP (6" RAD / SQUARE CORNER) 59

8'-6" (6 X 6) CORNER WEDDING CAKE FILL STEP (12" RAD CORNER) 60

8'-6" (6 X 6) CORNER WEDDING CAKE FILL STEP (24" RAD CORNER) 61

9'-11" (7 X 7) CORNER WEDDING CAKE FILL STEP (48" RAD CORNER) 62

FILL TYPE RADIUS WEDDING CAKE STEPS

7'-8" X 7'-0" RADIUS WEDDING CAKE FILL STEP 63

7'-9" X 8'-0" RADIUS WEDDING CAKE FILL STEP 64

7'-10" X 9'-0" RADIUS WEDDING CAKE FILL STEP 65

7'-10" X 10'-0" RADIUS WEDDING CAKE FILL STEP 66

FILL TYPE RADIUS BENCHES

7'-6" X 5'-0" RADIUS FILL BENCH 67

8'-4" X 6'-0" RADIUS FILL BENCH 68

9'-1" X 7'-0" RADIUS FILL BENCH 69

9'-9" X 8'-0" RADIUS FILL BENCH 70

10'-5" X 9'-0" RADIUS FILL BENCH 71

11'-1" X 10'-0" RADIUS FILL BENCH 72

11'-6" X 11'-0" RADIUS FILL BENCH 73

12'-2" X 12'-0" RADIUS FILL BENCH 74

FILL TYPE RADIUS CURVED BENCHES

10'-7" X 7'-0" CURVED END FILL BENCH 75

10'-11" X 8'-0" CURVED END FILL BENCH 76

11'-2" X 9'-0" CURVED END FILL BENCH 77

11'-4" X 10'-0" CURVED END FILL BENCH 78

FILL TYPE CORNER BENCHES

4'-3" (3 X 3) CORNER FILL BENCH (6" RAD / SQUARE CORNER)	79
4'-3" (3 X 3) CORNER FILL BENCH (12" RAD)	80
5'-8" (4 X 4) CORNER FILL BENCH (24" RAD)	81
7'-1" (5 X 5) CORNER FILL BENCH (48" RAD)	82

FILL TYPE STRAIGHT BENCHES

6'-0" STRAIGHT FILL BENCH (20" RADIUS CORNER)	83 - 84
6'-0" STRAIGHT FILL BENCH (3" CUT-OFF CORNER)	85 - 86
6'-0" STRAIGHT FILL BENCH (28" CUT-OFF CORNER)	87 - 88

FILL TYPE CUDDLE COVE

5' CUDDLE COVE (2' RAD)	89
6' CUDDLE COVE	90
8' CUDDLE COVE	91

GENERAL NOTES

WHAT'S NEW IN 2018?

We have updated all our bench risers, the top riser is now 20" from the top of the panel.

Modular Side wall and Riser systems for Steps, Ledges and Step Ledge combos to facilitate faster response times.

Access holes have been added to the Top Riser Panels, to aid in the installation process.

New Standard 2-pc A-Frame for larger Ledges, Step-Ledge and Bench, Figure 1

New Adjustable Step and Bench Supports, Figure 2

Only Gravel Filled Steps are shown in the book, but all steps are still available in Standard Steel Treads.

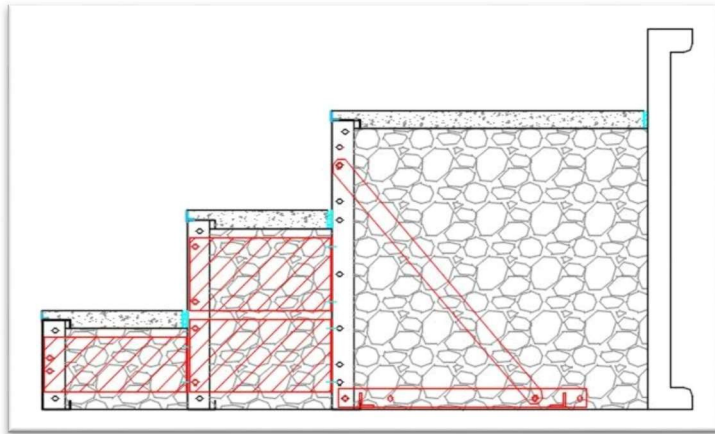


Figure 1 Adjustable Support

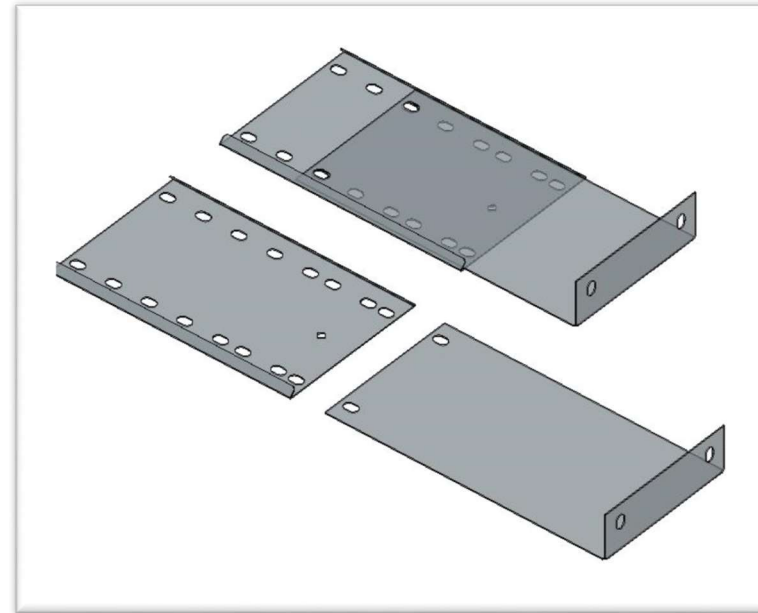


Figure 2 2pc A-Frame on Top Step

Catalog Created By: John Langman
Ed Rip and Michael Tremblay
Special Thanks To: Stephen Singh
2018, Revision #2

WHAT'S NEW IN 2014?

We have added an Extensive Fill Step Section which includes: Wedding Cakes Steps - Box Wedding Cake Steps - Deep End Curved Benches and Corner Benches.

We have added **SQUARE RISER LOCATOR HOLES** to our panels for quicker installation. The **SQUARE RISER LOCATOR HOLES** help in locating the Tread and Riser positions on the panels.

We have added holes to our Internal Tread / Riser panels on the Fill Type Steps to incorporate our **POOL WALL LEVELING SYSTEM**. This optional attachment will make leveling a pool or step much easier than the traditional method.

On our Standard Type Step (if required), the center support also has the accommodation for our **POOL WALL LEVELING SYSTEM**.

We have redesigned all our Standard Type Steps to have the largest possible Access Panels and more Supports.

We have added new Part Numbers for all your Standard and Fill Steps.

F.Y.I:

All our "Standard Type" and "Fill Type" Steps come with our **LINER TAB LOCK SYSTEM**. Customers can request to have the old Fiber Rod system if needed. Steps without the **LINER TAB LOCK SYSTEM** will be considered as custom orders,

All of our Steps can be customized, to become "Drop-In" Type steps that can be used in existing pools during a Liner change.

We can Design and Manufacture any Custom Step or Step and Bench Combo. Additional lead time and cost may be added. Contact your Customer Service or Sales Representative for details 1 866 580 1115 or www.megnapools.com.

GENERAL INFORMATION:

The installation instructions in this catalog are a reference only and may vary depending on the individual dealer / builder.

For all dimensions please refer to the individual step specification pages in this catalog. All dimensions shown are finished dimensions.

The type of coping used and the finish of the pool floor may sometimes affect the finished dimensions of the step. If there are significant differences in the actual dimensions on completion of the step, you must indicate these changes when ordering the liner.

Catalog Created By: John Langman
Ed Rip and Michael Tremblay
Special Thanks To: Stephen Singh
2018, Revision #2



MEGNA
POOLS

Megna Plastic Packaging Corp.

MEGNA POOLS

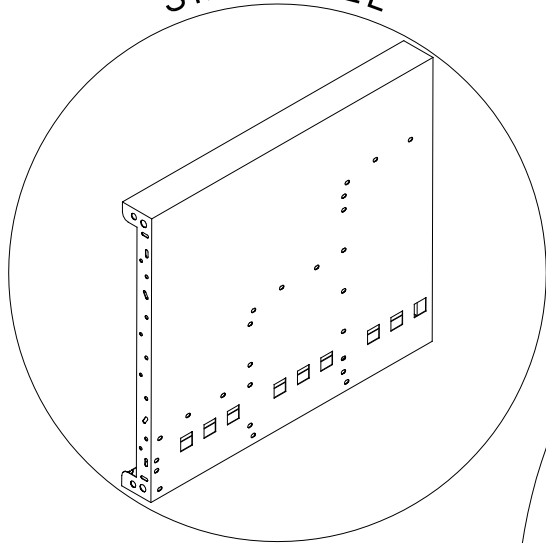
www.megnapools.com

info@megnapools.com

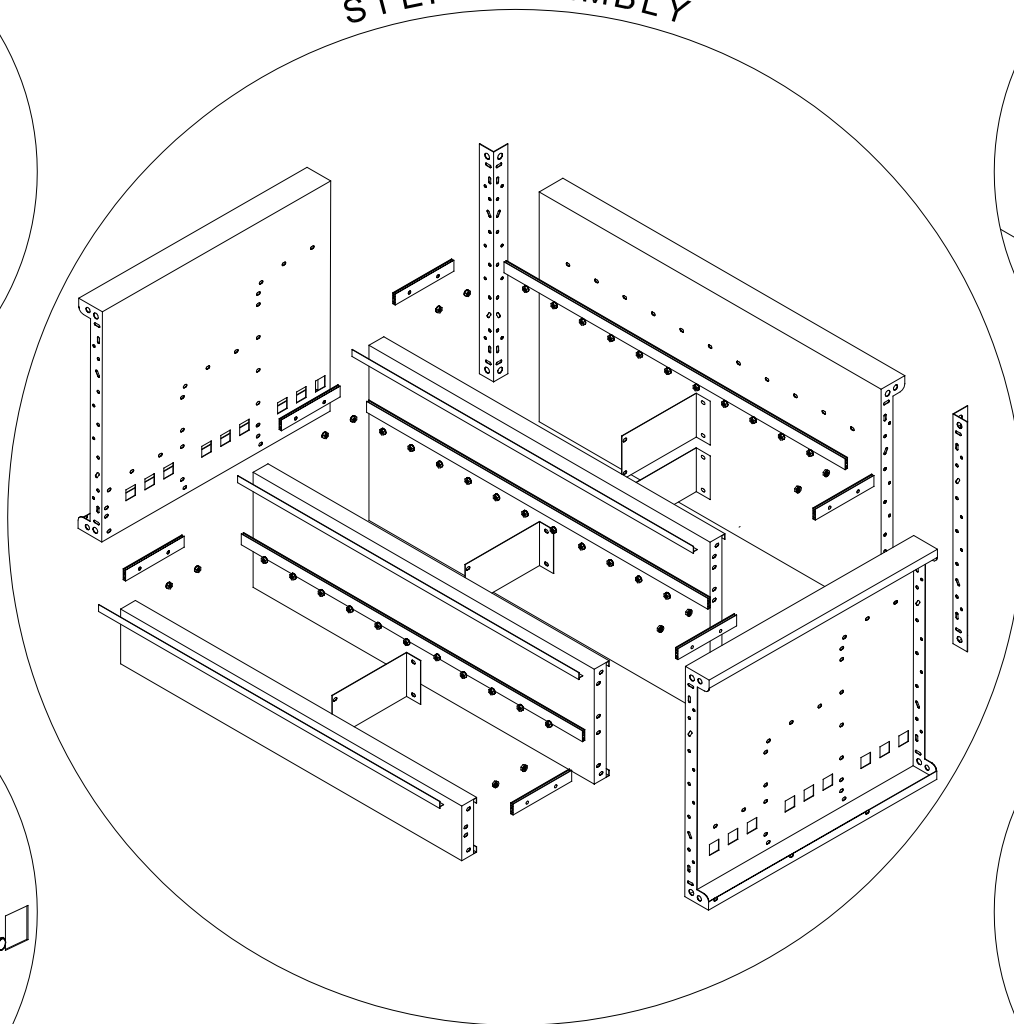
1-866-580-1115

TYPICAL FILL STEP FEATURES 6FT STRAIGHT STEP SHOWN

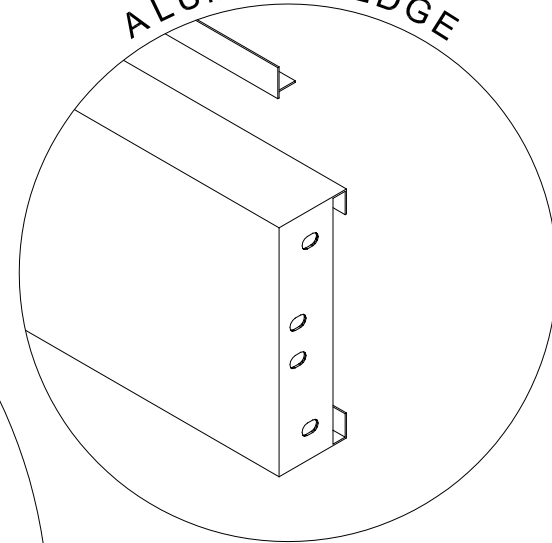
SIDE WALL



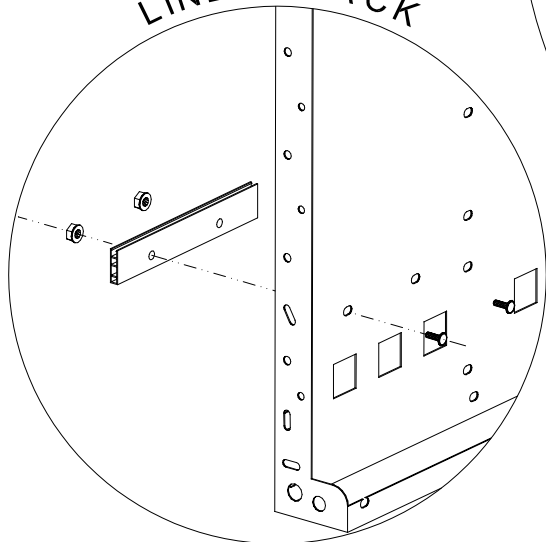
STEP ASSEMBLY



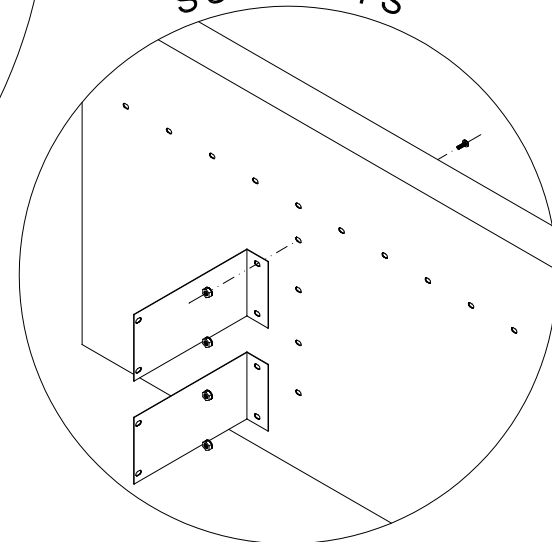
ALUMINUM EDGE



LINER TRACK



SUPPORTS





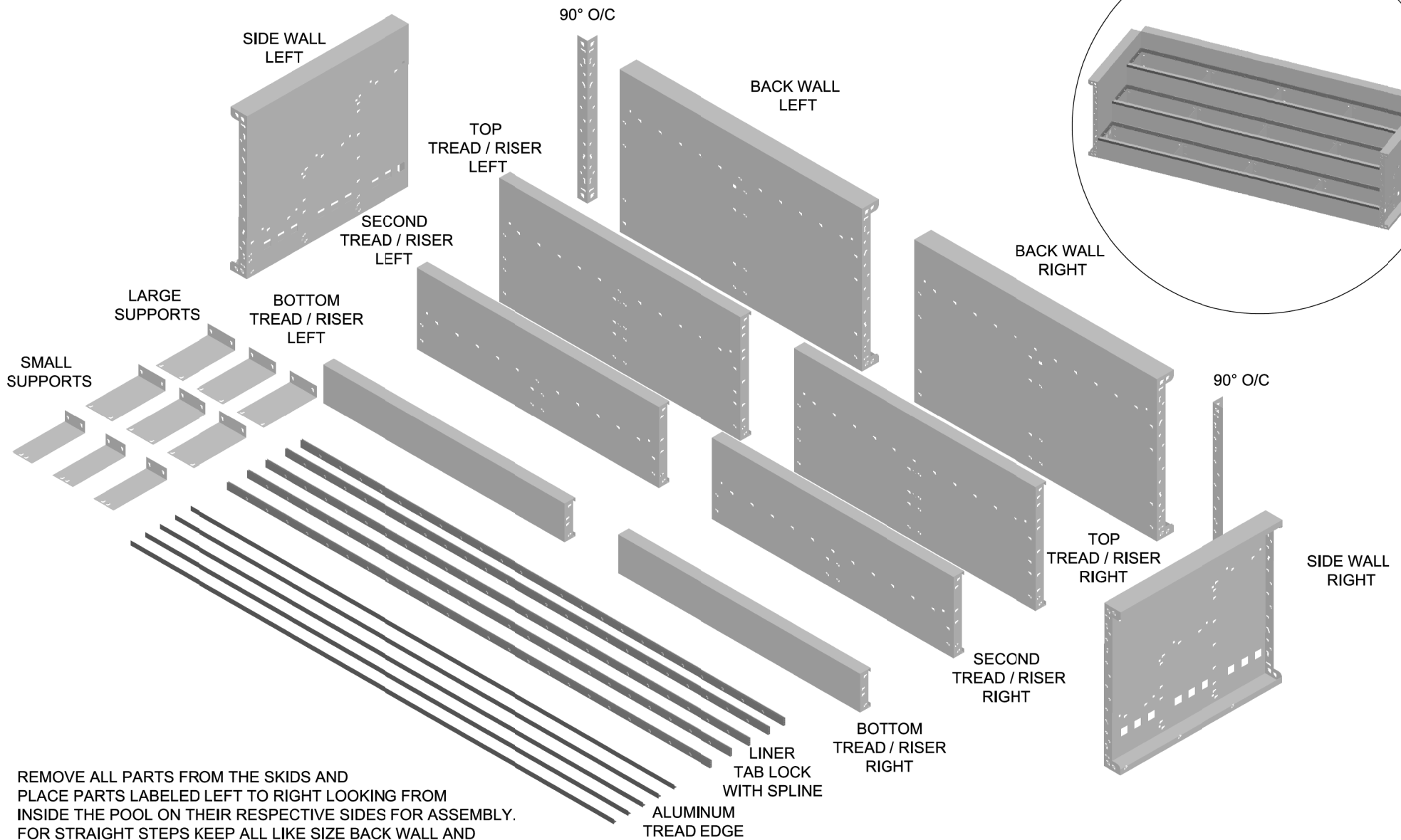
MEGNA POOLS

www.megnapools.com

info@megnapools.com

1-866-580-1115

GENERAL ASSEMBLY INSTRUCTIONS 12FT STRAIGHT FILL TYPE STEP SHOWN



REMOVE ALL PARTS FROM THE SKIDS AND PLACE PARTS LABELED LEFT TO RIGHT LOOKING FROM INSIDE THE POOL ON THEIR RESPECTIVE SIDES FOR ASSEMBLY. FOR STRAIGHT STEPS KEEP ALL LIKE SIZE BACK WALL AND TREAD / RISER PANELS TOGETHER. FOR RADIUS STEPS LAYOUT THE STEP PANELS LABEL LEFT AND RIGHT ON THEIR RESPECTIVE SIDES.



MEGNA POOLS

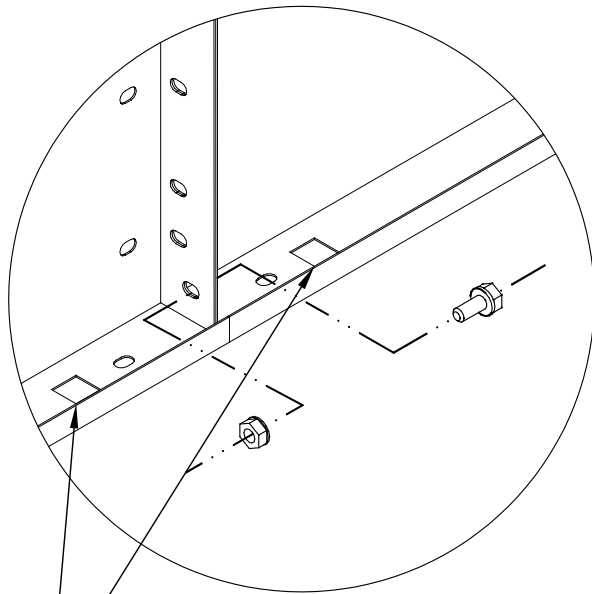
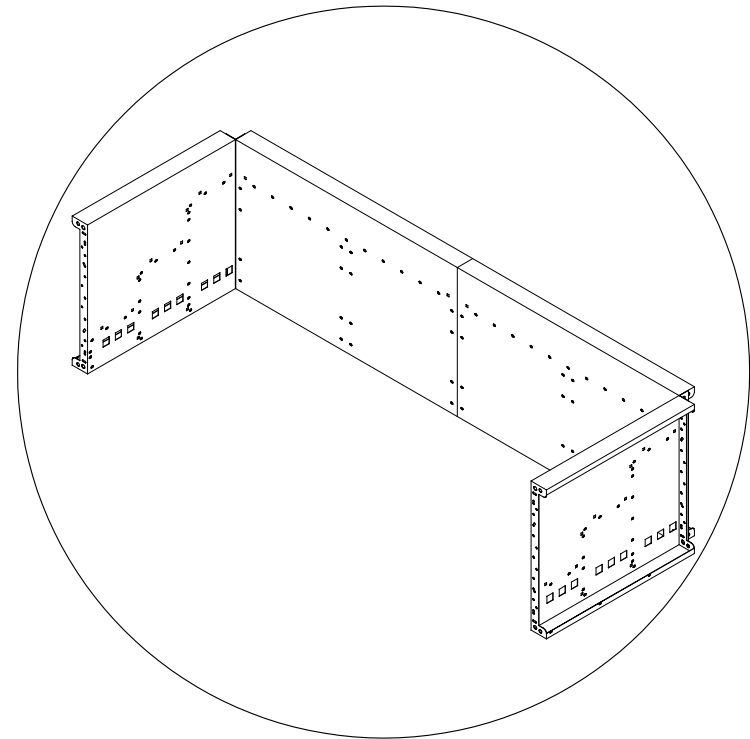
www.megnapools.com

info@megnapools.com

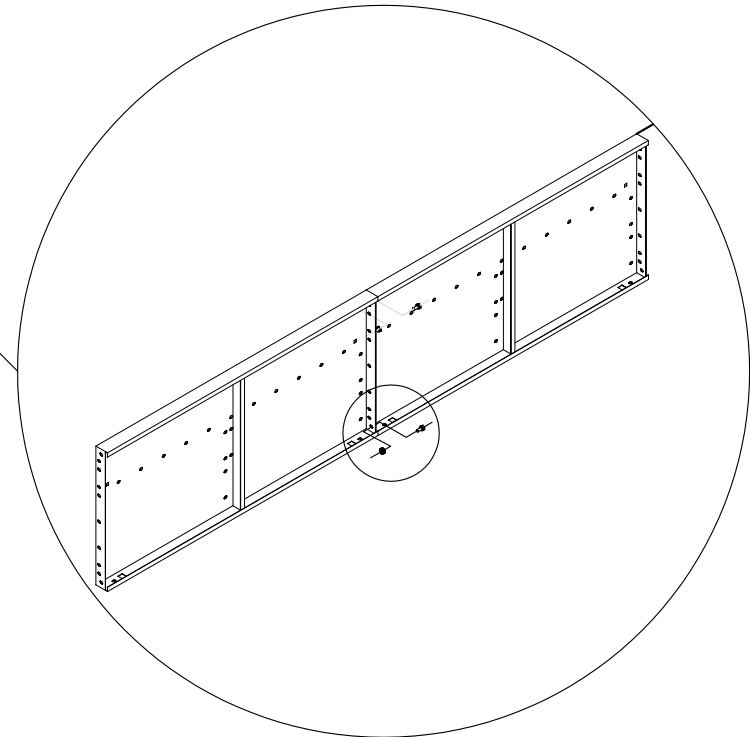
1-866-580-1115

LOOSELY BOLT THE BACK WALLS, CORNERS AND SIDE WALLS TOGETHER. SQUARE THE PANELS, ALIGN THE INSIDE FACE AND TOP OF PANELS AND TIGHTEN ALL THE BOLTS.

F.Y.I - OUR INTERNAL TREAD / RISER PANELS HAVE A LOCATION ON BOTH SIDES OF THE BOTTOM OF THE PANEL TO INCORPORATE OUR **POOL WALL LEVELING SYSTEM**. THE HOLES PUNCHED IN THE BOTTOM OF THE PANEL ALLOW THE WALL LEVELER TO SEAMLESSLY ATTACH TO THE STEP. PLEASE NOTE THE LEVELING SYSTEM IS OPTIONAL AND IS NOT INCLUDED IN THE STANDARD STEP KIT AND MAY BE ORDERED SEPARATELY.



POOL WALL LEVELING SYSTEM ADAPTER HOLES



LOOSELY BOLT THE TOP TREAD / RISER INTERNAL PANELS TOGETHER USING ONLY THE VERY TOP AND BOTTOM HOLES IN EACH PANEL. ALIGN THE TOP AND FACE AND TIGHTEN THE TWO BOLTS.

DO THE SAME WITH THE SECOND AND BOTTOM TREAD / RISER INTERNAL PANELS. AGAIN ONLY USING THE VERY TOP AND BOTTOM HOLES.



MEGNA POOLS

www.megnapools.com
info@megnapools.com
1-866-580-1115

ONCE THE TREAD / RISER SECTIONS ARE ASSEMBLED, START WITH THE TOP TREAD / RISER SECTION AND LOOSELY BOLT IT TO THE BACK WALL ASSEMBLY.

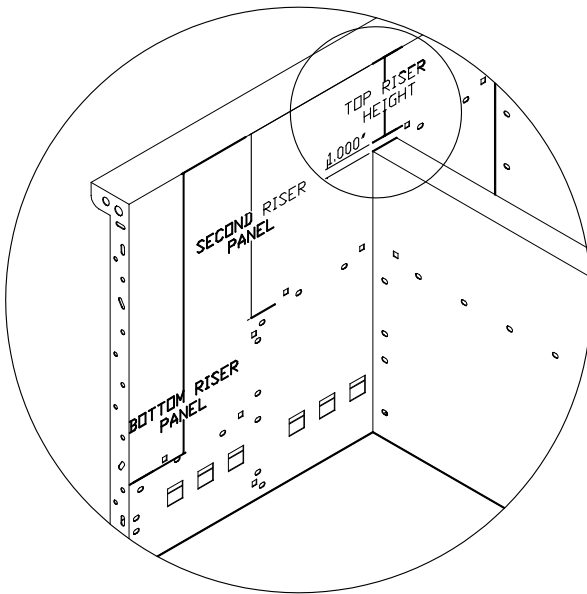
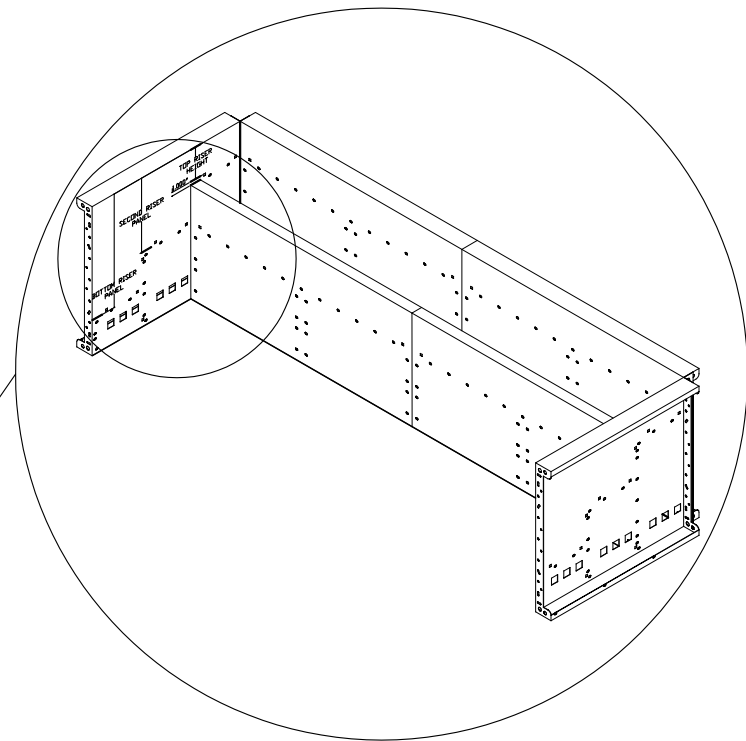
YOU MUST LOCATE THE CORRECT RISER HEIGHT ON THE SIDE WALL PANELS TO ACCOMMODATE FOR THE ALUMINUM TREAD TRACK . PLEASE NOTE THE ALUMINUM TRACK IS 1"

TO CALCULATE THE HEIGHT TO PLACE THE TREAD / RISER PANELS:

TOP PANEL LOCATION = TOP RISER HEIGHT + 1"

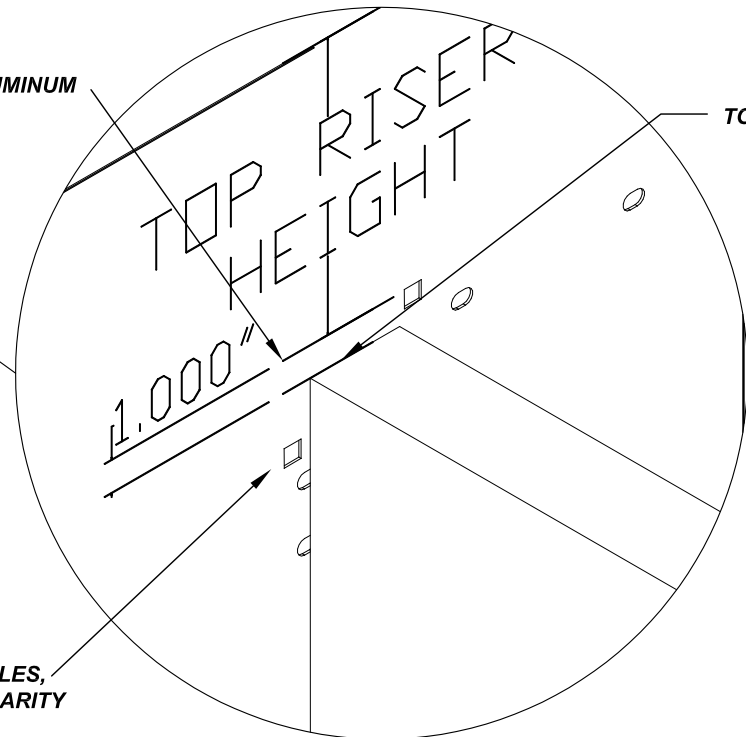
SECOND PANEL LOCATION = TOP PANEL LOCATION + SECOND RISER HEIGHT

THIRD PANEL LOCATION = SECOND PANEL LOCATION + THIRD RISER HEIGHT



TOP OF ALUMINUM

TOP OF PANEL



MARK THE BOTH SIDE WALL TO THE VALUES CALCULATED ABOVE FROM THE TOP OF THE SIDE WALL.

ALIGN THE TOP OF THE INTERNAL TREAD / RISER PANELS TO THE MARK YOU MADE, TO SQUARE THE PANEL TOP TO BOTTOM ALIGN THE FRONT EDGE OF THE PANEL WITH THE FRONT EDGE OF THE **SQUARE RISER LOCATOR HOLES** ON THE SIDE WALL, TIGHTEN ALL BOLTS.

**SQUARE RISER LOCATOR HOLES,
RISER PANEL MOVED FOR CLARITY**



MEGNA POOLS

www.megnapools.com

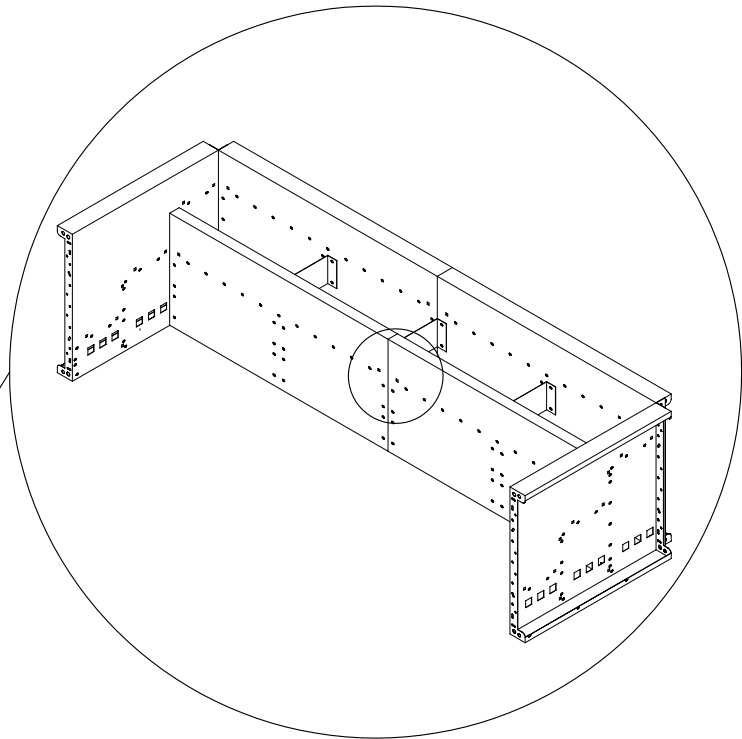
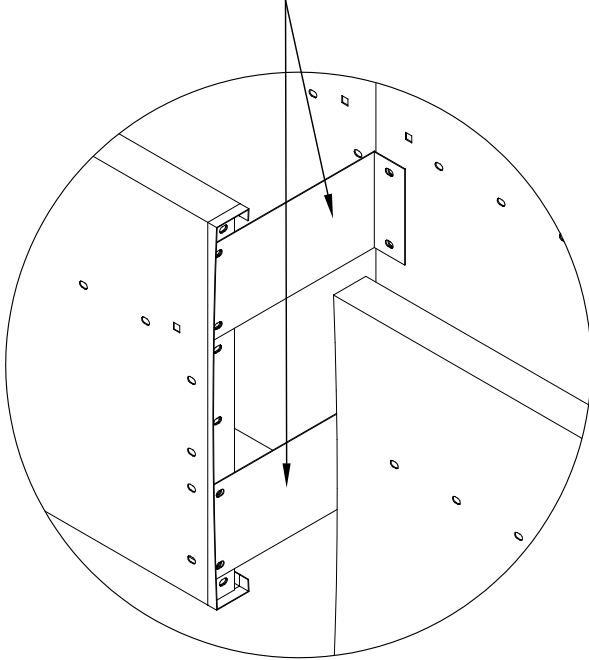
info@megnapools.com

1-866-580-1115

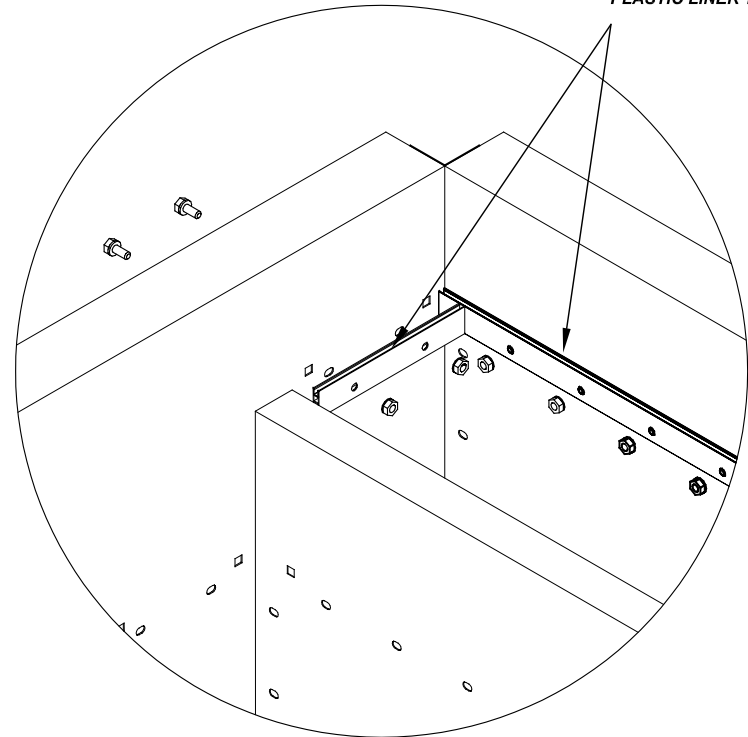
LOOSELY ATTACH ALL THE SUPPORTS INSIDE THE INTERNAL PANELS AS SHOWN BETWEEN THE TOP TREAD / RISER AND THE BACK WALL. THE LARGE (8") SUPPORT WILL BE USED FOR THE FIRST AND SECOND STEP. THE SUPPORTS MUST BE INSTALLED AT EACH OF THE RIBS AND THE PANEL JOINTS.

ONCE ALL THE SUPPORTS ARE INSTALLED, SQUARE THE TOP TREAD / RISER PANEL TO THE SIDE WALL . START FROM ONE SIDE, CHECK AND ADJUST THE TREAD WIDTH AND COMPLETELY TIGHTEN THE SUPPORTS.

LARGE 8" SUPPORTS ATTACHED TO THE PANEL JOINT AND THE RIBS.
NOTE: THE SUPPORTS DO NOT GO BETWEEN THE PANELS.



PLASTIC LINER TAB LOCK



LOOSELY BOLT ALL PLASTIC **LINER TAB LOCK** PIECES TO THE STEP ALONG THE TOP OF EACH TREAD USING THE **SQUARE RISER LOCATOR HOLES**. ENSURE THE TOP OF THE LINER TAB LOCK IS LEVEL TO THE TOP OF THE SQUARE HOLE, COMPLETELY COVERING THE HOLE. PLEASE NOTE SOME TRIMMING OF THE **LINER TAB LOCK** MAY BE REQUIRED TO ACHIEVE A PROPER FIT.



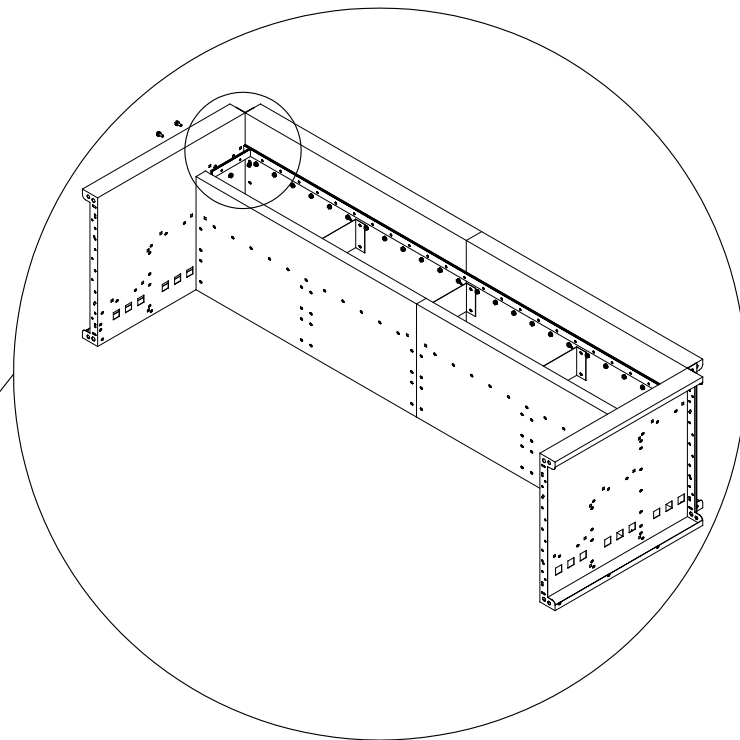
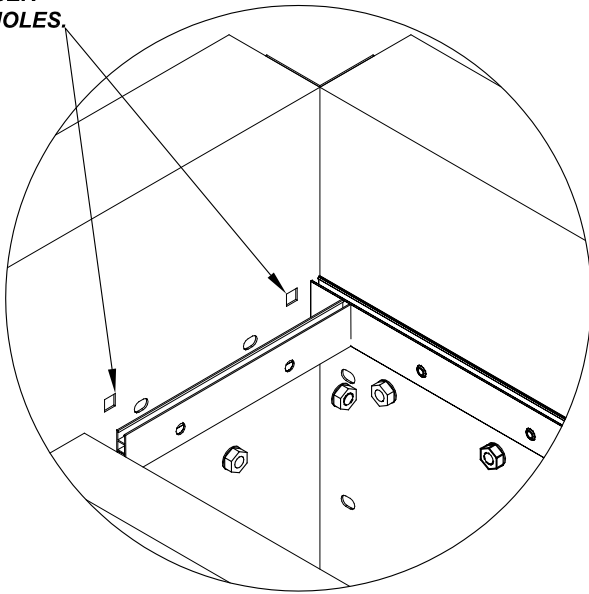
MEGNA POOLS

www.megnapools.com
info@megnapools.com
1-866-580-1115

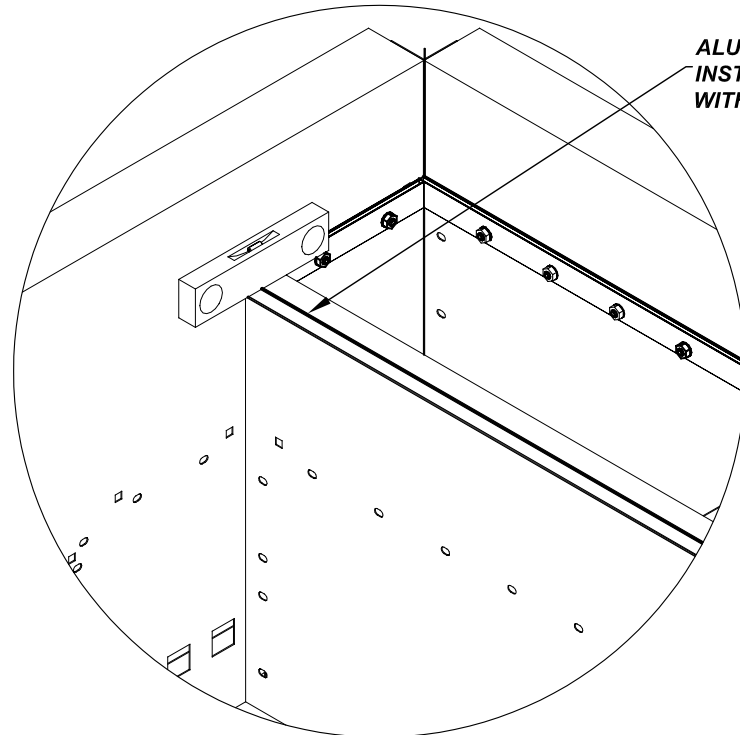
CONTINUE TO ALIGN THE TRACK ALONG THE ENTIRE LENGTH AND WIDTH OF THE TREAD AND TIGHTEN ALL BOLTS.

F.Y.I - DO NOT OVER TIGHTEN THE BOLTS, IT WILL RESULT IN CRACKING OR BREAKING THE **LINER TAB LOCK**

SQUARE RISER LOCATOR HOLES



ALUMINUM TRACK INSTALLED LEVEL WITH LINER TAB LOCK



PLACE THE ALUMINUM TREAD EDGE ON THE FRONT EDGE OF THE TREAD / RISER PANEL, TIGHT TO ONE SIDE WALL PANEL. ENSURE THE TOP IS LEVEL WITH THE LINER TAB LOCK PREVIOUSLY INSTALLED. SCREW INTO PLACE USING THE TEK-SCREWS, CONTINUE ALONG THE THE LENGTH OF THE PANEL. IF MULTIPLE SECTIONS ARE REQUIRED, BUTT THE EDGES TOGETHER AND CONTINUE UNTIL YOU REACH THE OPPOSITE SIDE OF THE STEP. THE FINAL SECTION MAY REQUIRE TRIMMING TO ENSURE A PROPER FIT, TIGHT TO THE SIDE WALL.



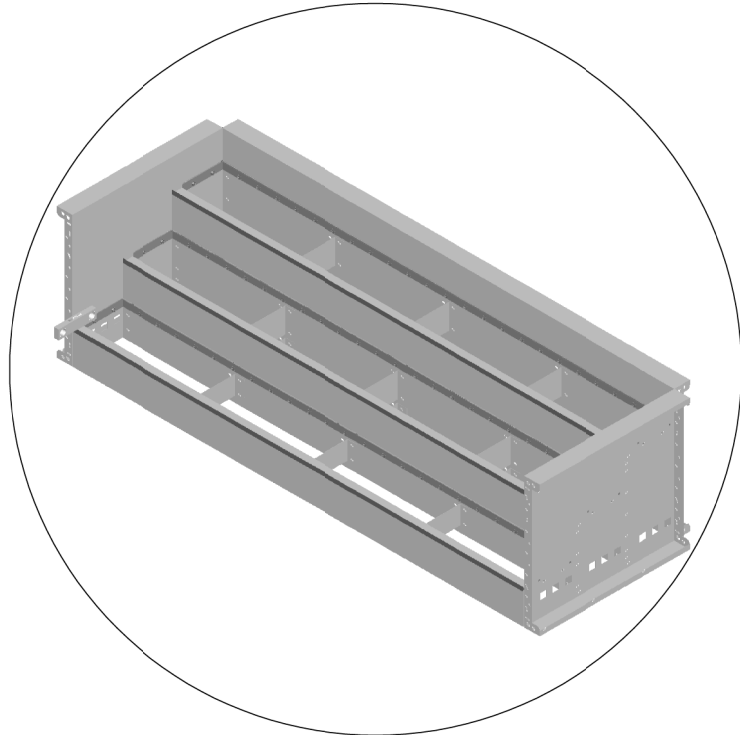
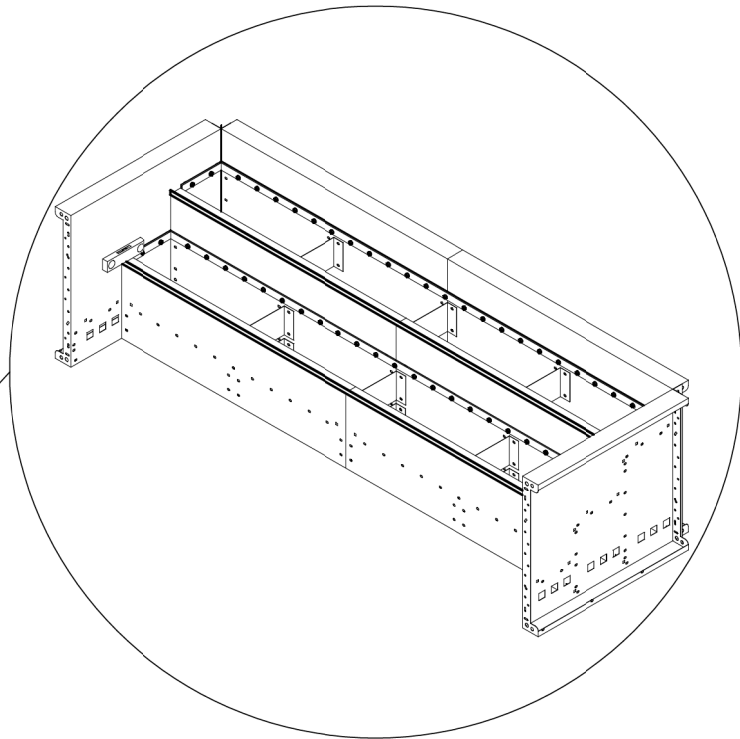
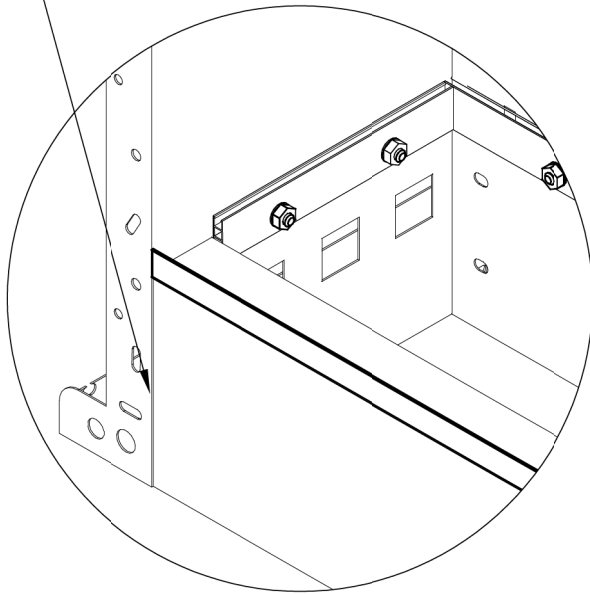
MEGNA POOLS

www.megnapools.com
info@megnapools.com
1-866-580-1115

ONCE THE TOP TREAD / RISER SECTIONS INSTALLED, REPEAT THE PROCESS FOR THE SECOND AND THIRD STEPS.

BE SURE TO CHECK DURING THE ENTIRE PROCESS THAT THE CORRECT TREAD WIDTH AND RISER HEIGHTS ARE MAINTAINED. ALSO CONFIRM THE STEP IS BUILT SQUARE.

**BOTTOM TREAD / RISER PANEL
ALIGNS TO SIDEWALL PANEL.**



NOTE THE BOTTOM RISER DO NOT HAVE ANY **SQUARE RISER LOCATOR HOLES**, BUT WILL ALIGN TO THE EDGE OF THE SIDEWALL PANEL IN MOST CASES. IF SIDE WALL PANEL EXTENDS PASS THE END OF THE TREADS THE RISER LOCATOR HOLES WILL BE THERE.

LEVEL AND ATTACH THE STEP TO THE REST OF THE POOL WALLS.

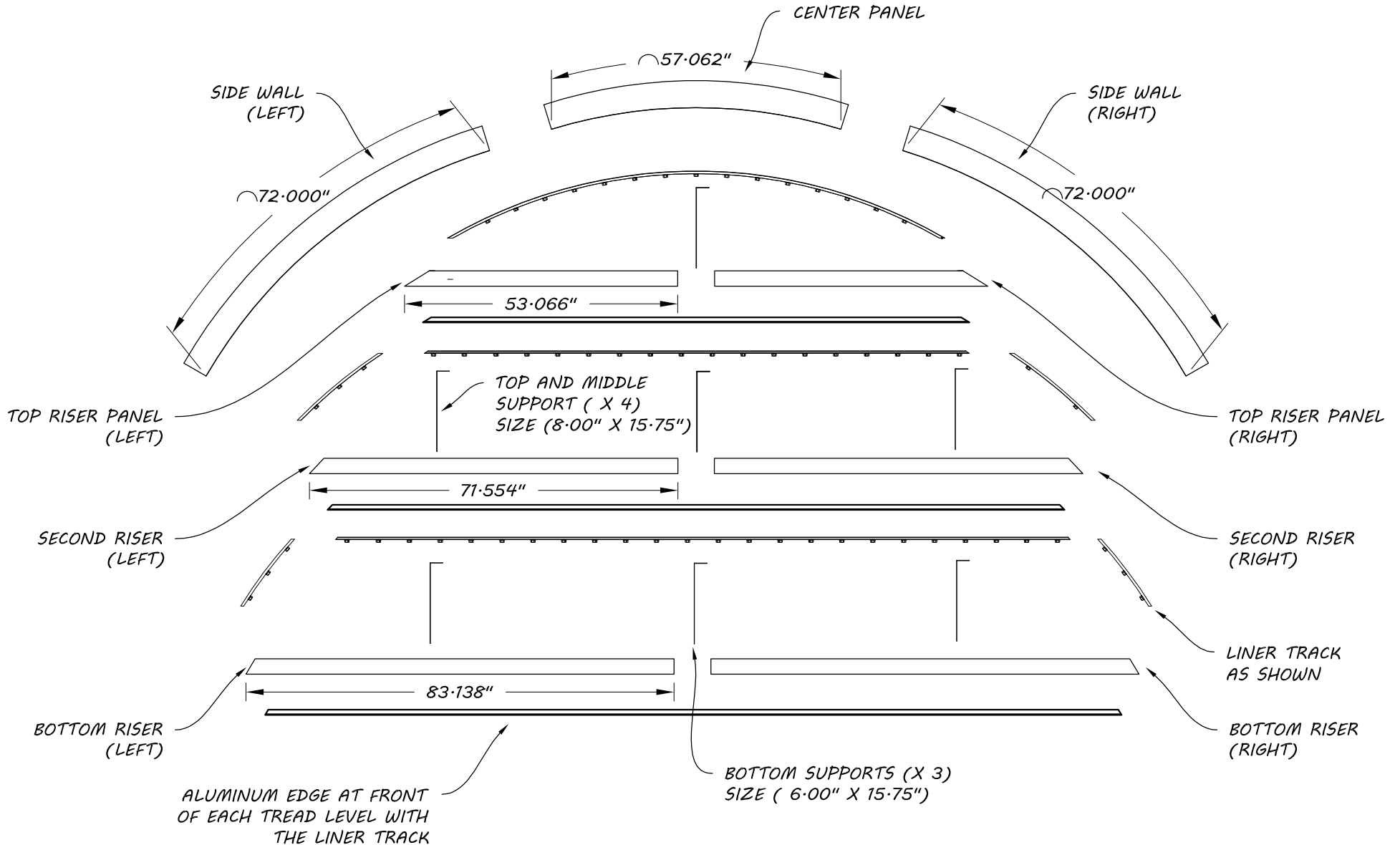
- F.Y.I :**
- WE RECOMMEND USING TAPE TO COVER THE LINER TAB LOCK TO PREVENT FILLING UP WITH DEBRIS.
 - BACKFILL THE STEPS LEAVING APPROXIMATELY 3 TO 4 INCHES FROM THE TOP OF EACH TREAD.
 - IT IS RECOMMEND USING RE-BAR OR WIRE MESH FOR ADDITIONAL STRENGTH.
 - USE THE SAME POOL BOTTOM MIXTURE TO FINISH THE TOP OF EACH TREAD, TROWEL TO A SMOOTH FINISH.



MEGNA POOLS

www.megnapools.com
 info@megnapools.com
 1-866-580-1115

EXPLODED VIEW EXAMPLE (FILL TYPE)
 8FT RADIUS STEP SHOWN



SHAPE: CURVED	SIZE: 13' - 10"	DESCRIPTION: 13' - 10" X 8' - 0" RADIUS FILL BENCH	PER: 16' - 9"	DRAWN BY: ER
TYPE: FILL	HEIGHT: 42	DATE: 1.9.2014	REVISION #: 01	DWG #: 8FT FILL EX





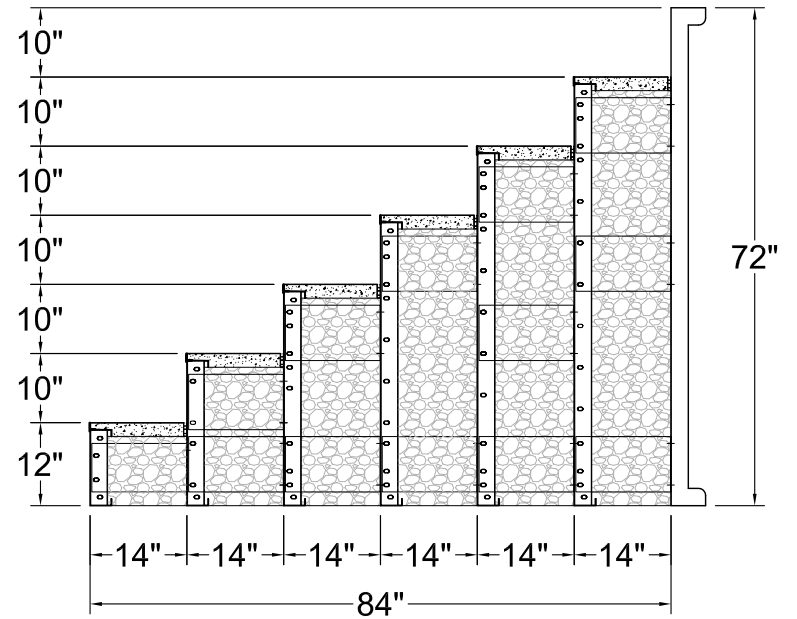
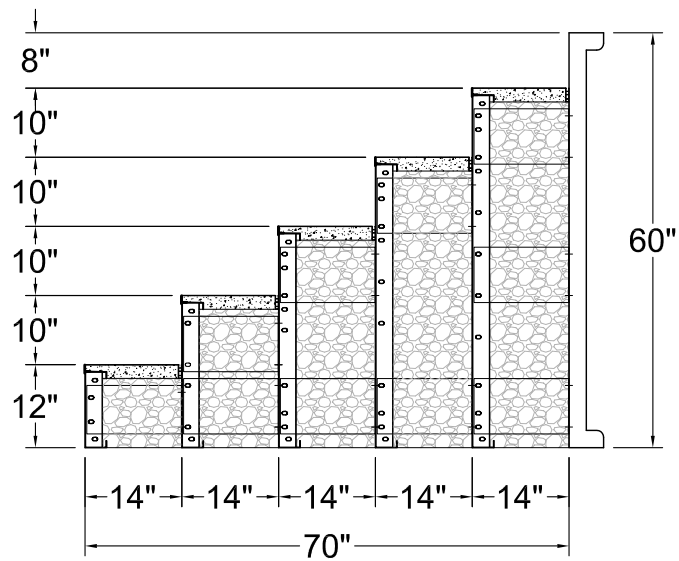
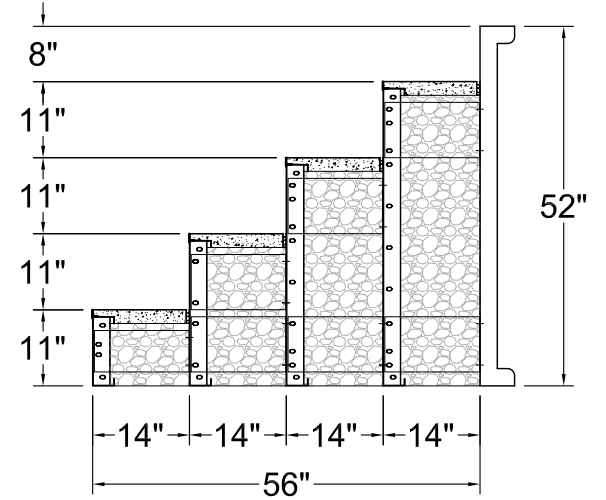
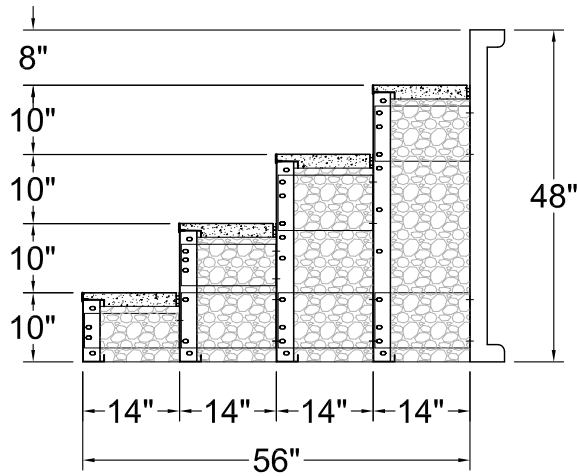
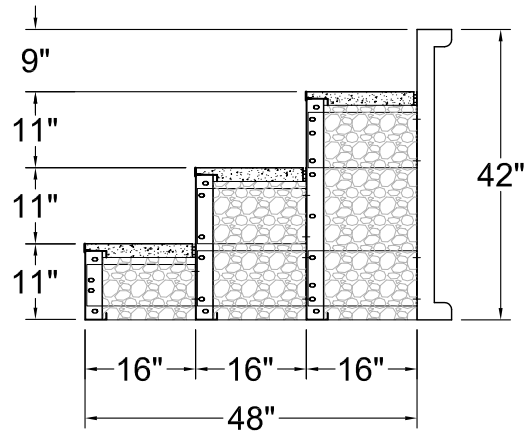
MEGNA POOLS

www.megnapools.com

info@megnapools.com

1-866-580-1115

TREAD - RISER CONFIGURATION FOR 42" - 48" - 52" - 60" - 72" FILL TYPE SHOWN





MEGNA
POOLS

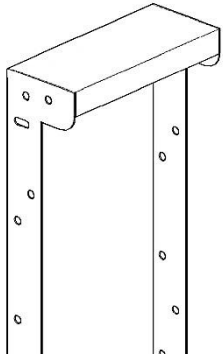
Magna Pools & Packaging Corp.

MEGNA POOLS

www.megnapools.com
info@megnapools.com
1-866-580-1115

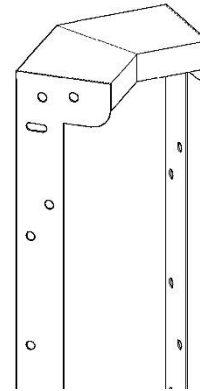
STEP FLANGE TYPES:

STANDARD FLANGE



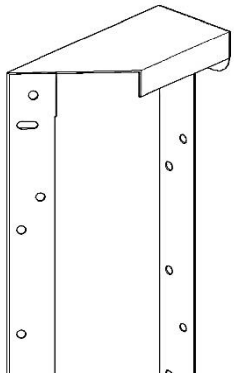
Standard panel flange are created at a 90 degree angle to the face of the panel. Most steps are created with standard flanges.

ANGLE TRANSITION



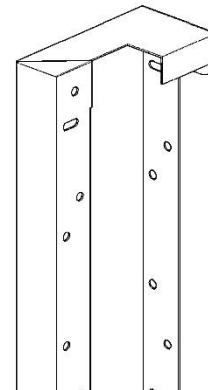
*Angle Transitions can be created as a part of the of the step or as a separate transition panel. (See Roman Step)
Can be used to attached a Straight step to a curved pool wall or a Radius step to a straight pool wall.*

SUMMERVILLE FLANGE



*S.V flanges are created at 45 degrees to the to the panel face.
Can be used to attached a Straight step to a curved pool wall or a Radius step to a straight pool wall, with no setback.*

TURNBACK FLANGE



*Turn-back flanges are created by turning the side flange of the panel back by 90 degrees.
can be used to attached a step to the pool without creating a setback
Please note the step opening will be 6" less than the step size.*

Please note any step can be ordered with any of the above flange option other than the standard
Must be stated at the time of order and additional cost may apply.
May be considered a special (custom) step and additional lead time may apply.



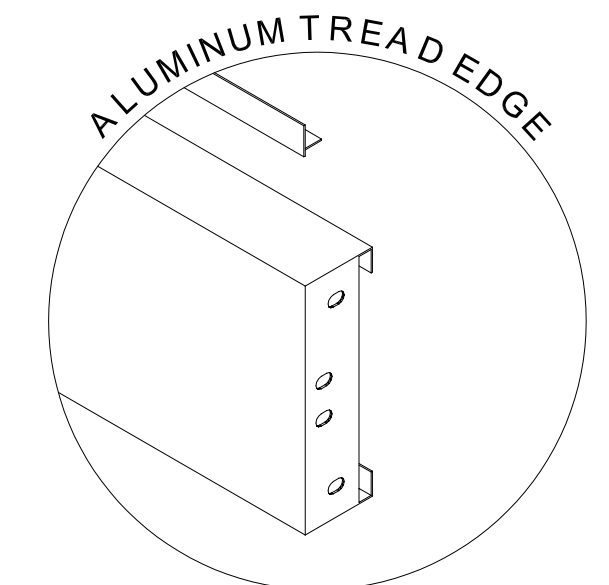
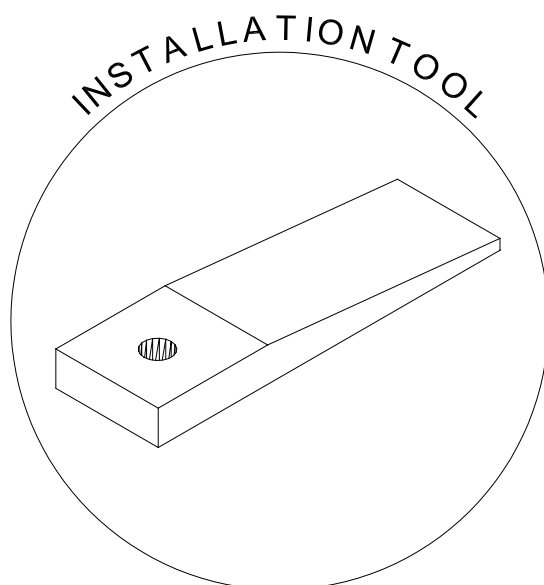
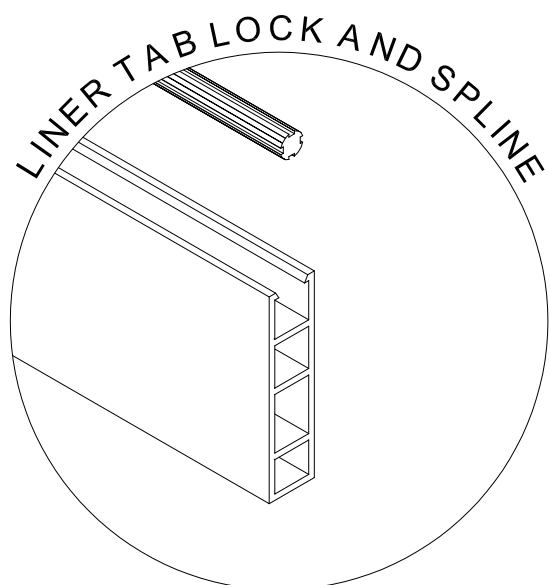
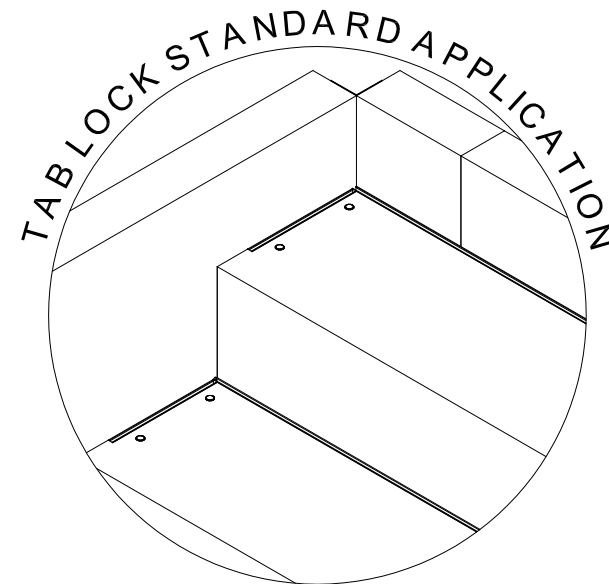
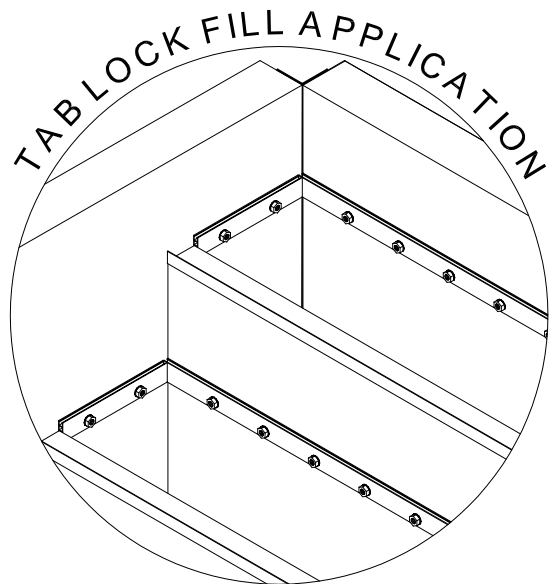
MEGNA POOLS

www.megnapools.com

info@megnapools.com

1-866-580-1115

VINYL COVERED STAIRS TAB LOCK SYSTEM
U.S. PATENT APPLICATION SERIAL NO. 13/339816
OTHER PATENTS PENDING



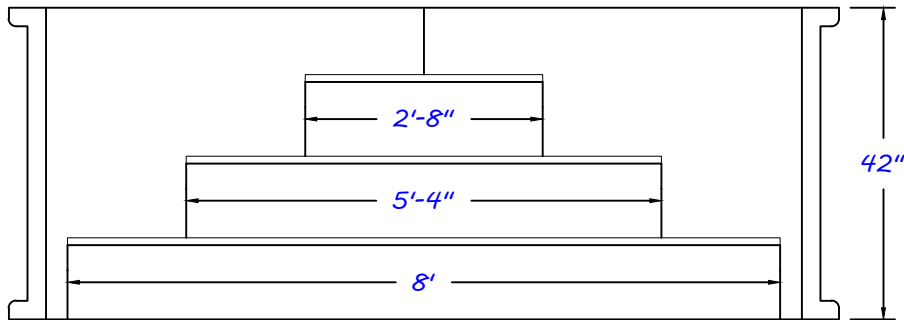
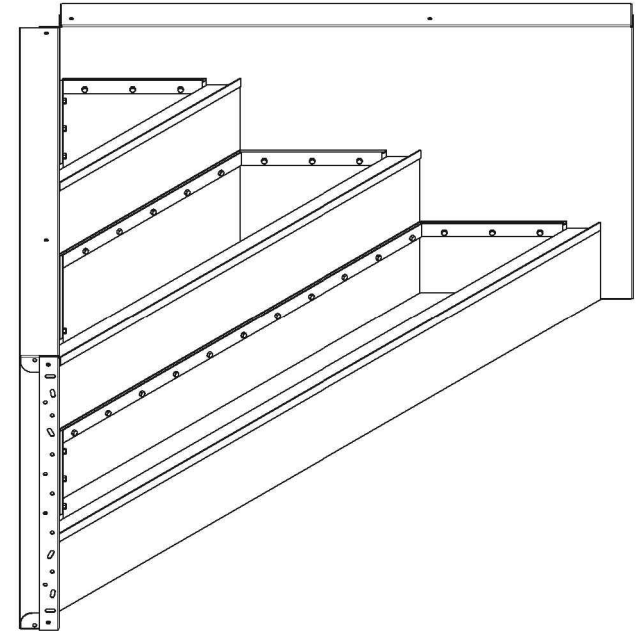
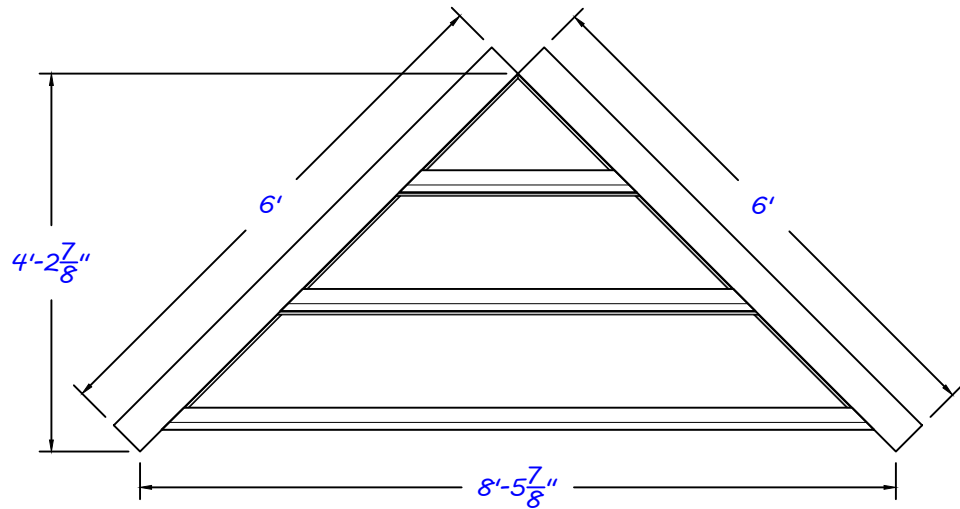


MEGNA
POOLS

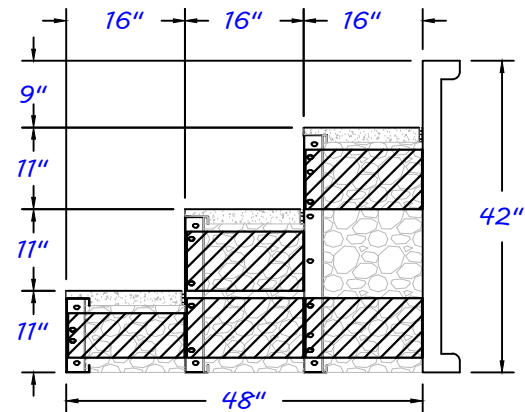
THE POOL PEOPLE'S CHOICE

www.megnapools.com
info@megnapools.com
1-866-580-1115

TOP VIEW



FRONT VIEW



SECTION VIEW

SHAPE: CORNER	DESCRIPTION: 8'-6" CORNER FILL STEP-SQR OR 6" RAD CORNER	PANEL TYPE: 5" TOP	DRAWN BY: JDL
STEP TYPE: FILL	PANEL HEIGHT: 42"	DATE: JUNE 22-2017	REVISION #: 01
		DWG #: GS0806CR42C0000NR	G

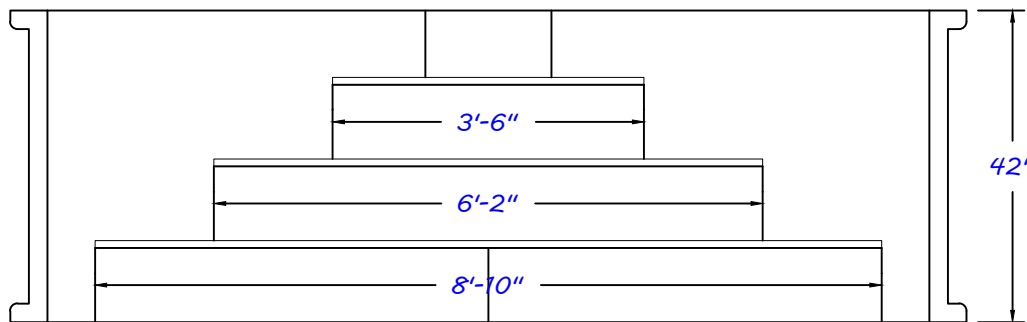
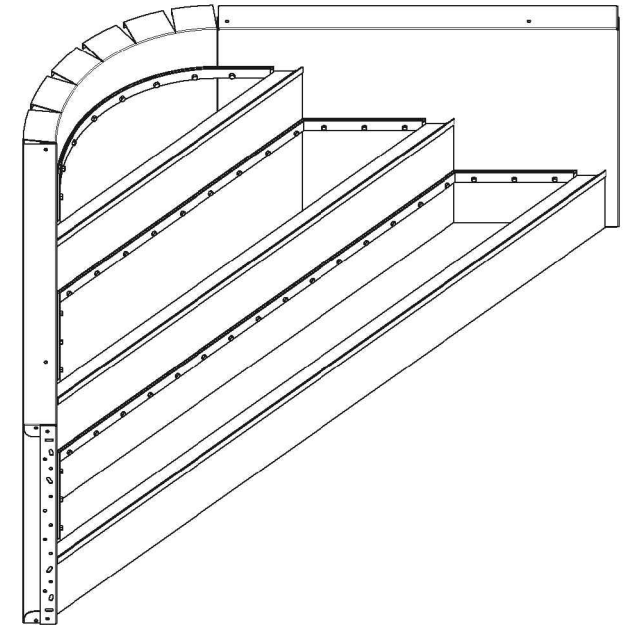
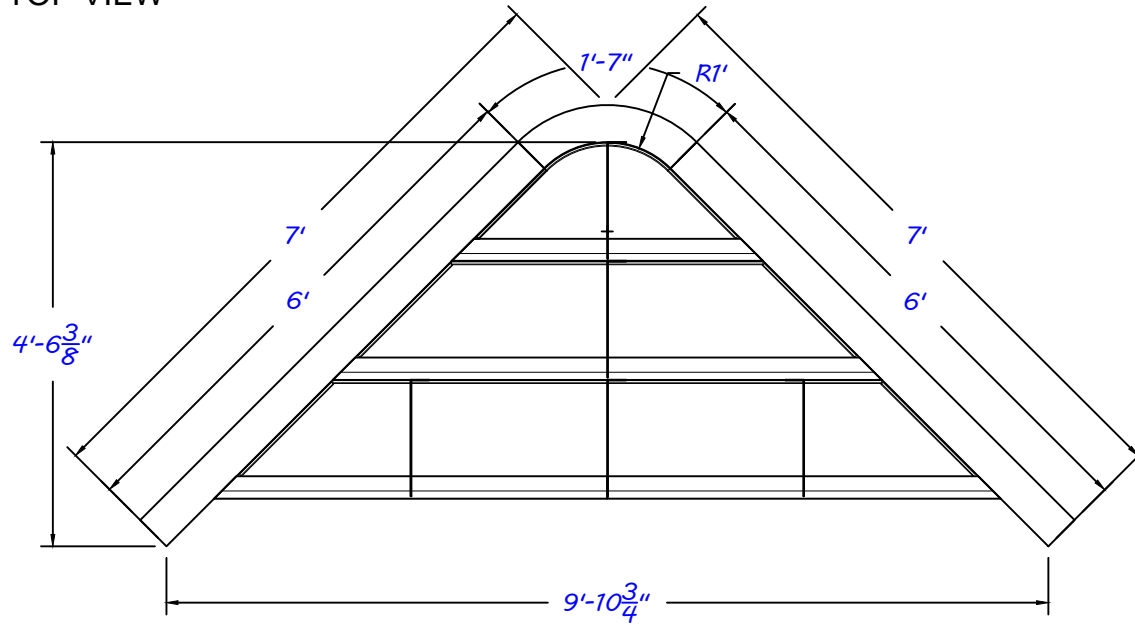


MEGNA
POOLS

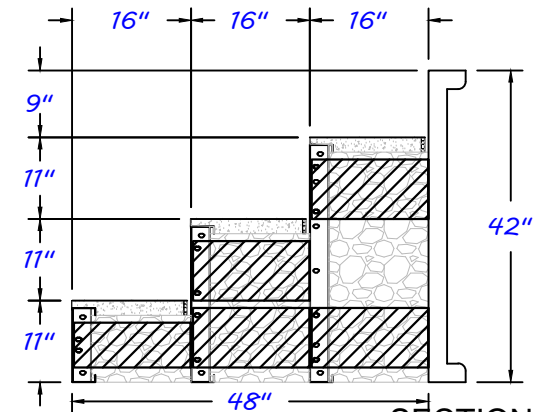
THE POOL PEOPLE OF AMERICA, INC.

www.megnapools.com
info@megnapools.com
1-866-580-1115

TOP VIEW



FRONT VIEW



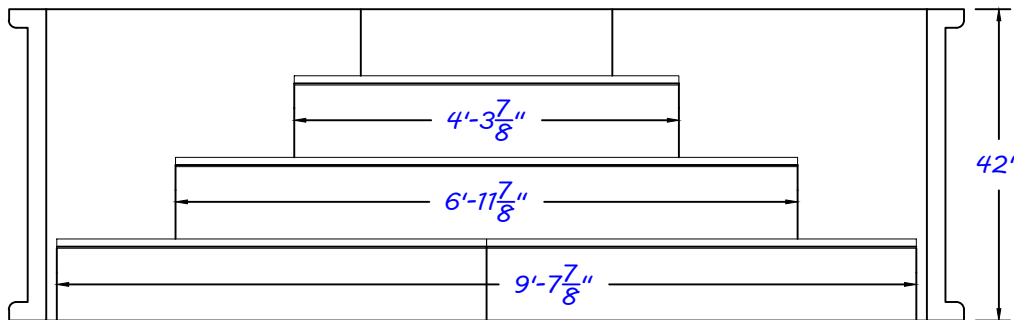
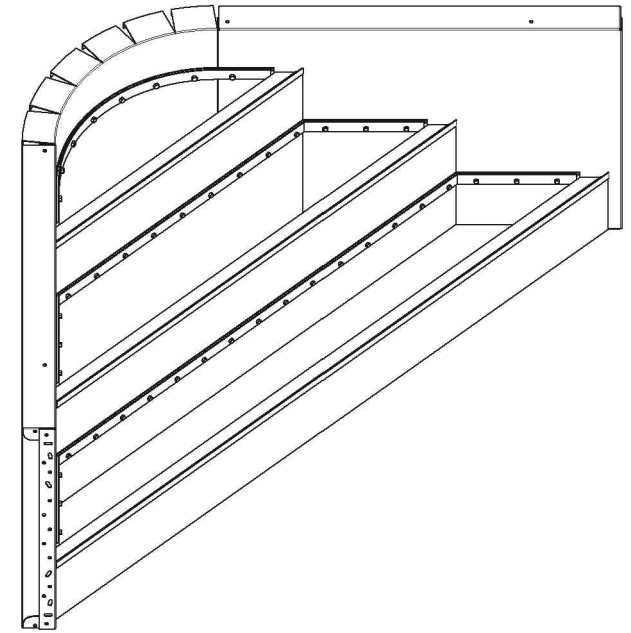
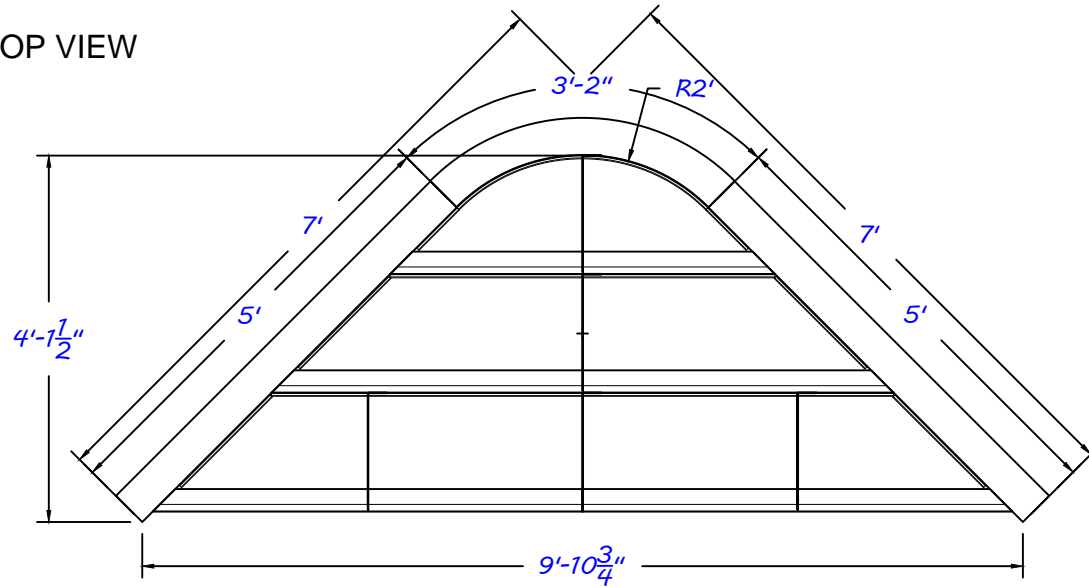
SECTION VIEW

SHAPE: CORNER	DESCRIPTION: 9'-11" CORNER FILL STEP - 12" RAD	PANEL TYPE: 5" TOP	DRAWN BY: JDL
STEP TYPE: FILL	PANEL HEIGHT: 42"	DATE: JUNE 22-2017	REVISION #: 01
		DWG #: GS0911CR42C0100NR	G

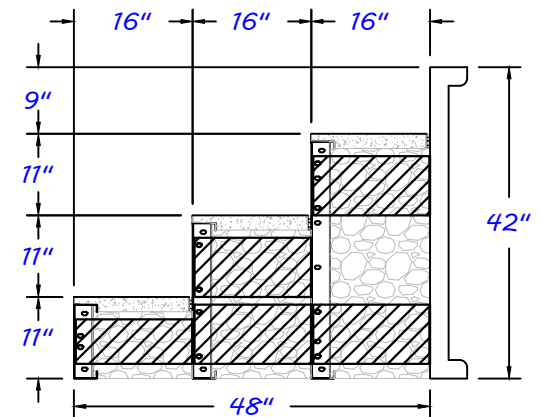


www.megnapools.com
 info@megnapools.com
 1-866-580-1115

TOP VIEW



FRONT VIEW



SECTION VIEW

SHAPE: CORNER	DESCRIPTION: 9'-11" CORNER FILL STEP - 24" RAD	PANEL TYPE: 5" TOP	DRAWN BY: JDL
STEP TYPE: FILL	PANEL HEIGHT: 42"	DATE: JUNE 22-2017	REVISION #: 01
		DWG #: GS0911CR42C0200NR	G

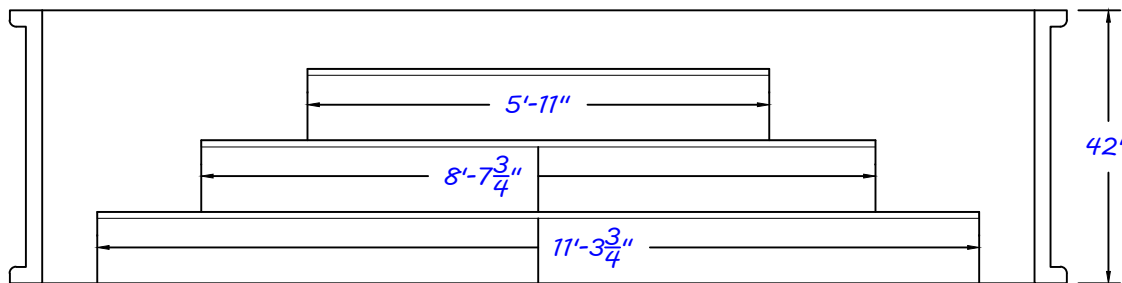
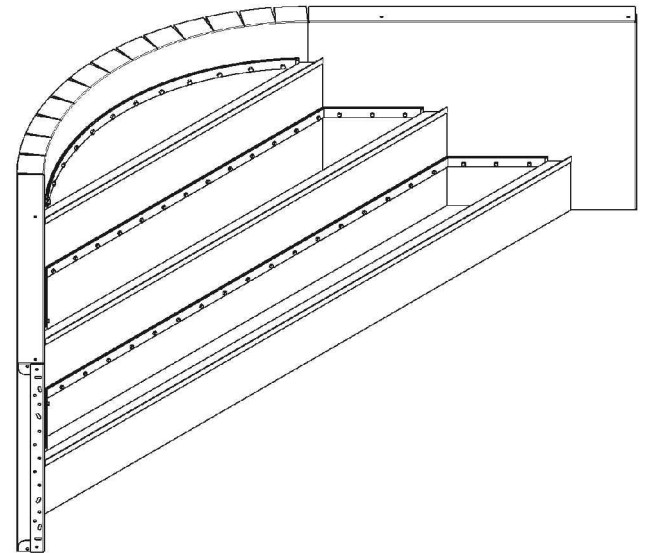
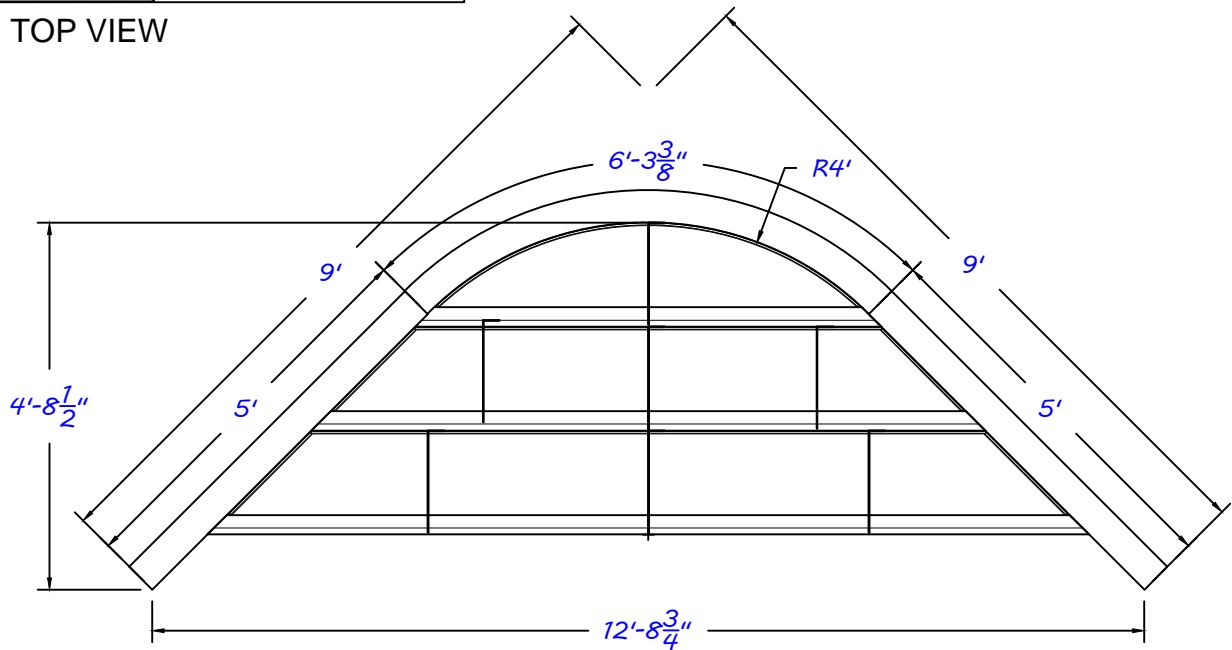


MEGNA
POOLS

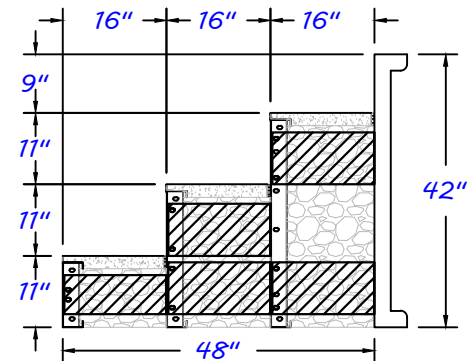
MEGNA POOLS IS A DIVISION OF MEGNA POOLS CORP.

www.megnapools.com
info@megnapools.com
1-866-580-1115

TOP VIEW



FRONT VIEW



SECTION VIEW

SHAPE: CORNER	DESCRIPTION: 12'-9" CORNER FILL STEP - 48" RAD	PANEL TYPE: 5" TOP	DRAWN BY: JDL
STEP TYPE: FILL	PANEL HEIGHT: 42"	DATE: JUNE 22-2017	REVISION #: 01
		DWG #: GS1209CR42C0400NR	G

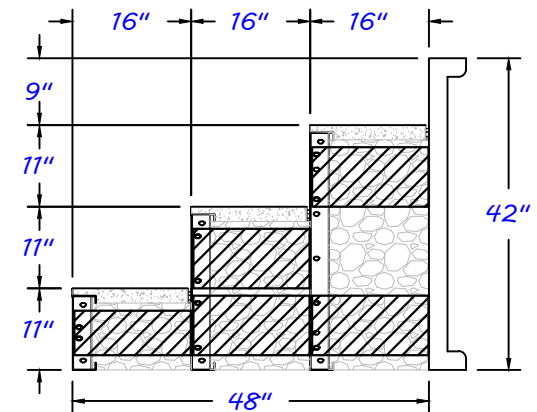
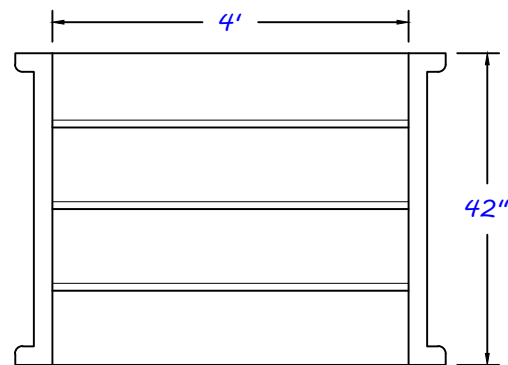
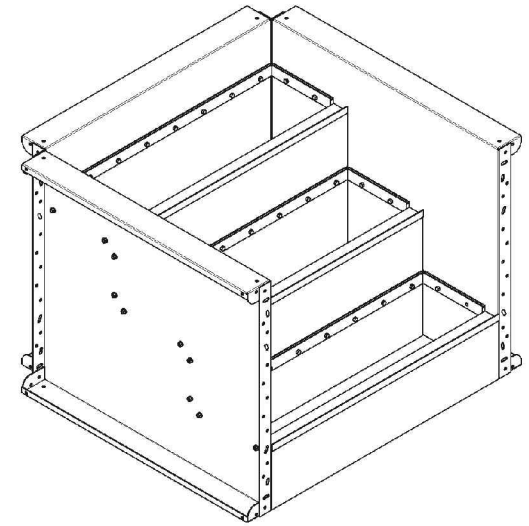
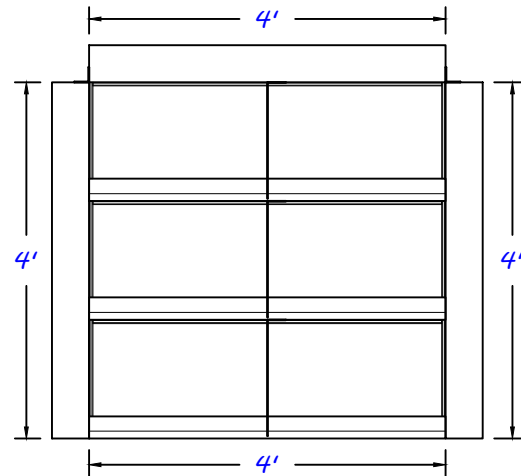


MEGNA
POOLS

THE POOL PEOPLE OF CALIFORNIA

www.megnapools.com
info@megnapools.com
1-866-580-1115

TOP VIEW



FRONT VIEW

SECTION VIEW

SHAPE: STRAIGHT	DESCRIPTION: 4'-0" STRAIGHT FILL STEP-SQ/6" RAD	PANEL TYPE: 5" TOP	DRAWN BY: JDL
STEP TYPE: FILL	PANEL HEIGHT: 42"	DATE: February 7, 2018	REVISION #: 01
		DWG #: GS0400ST42C0000NR	G

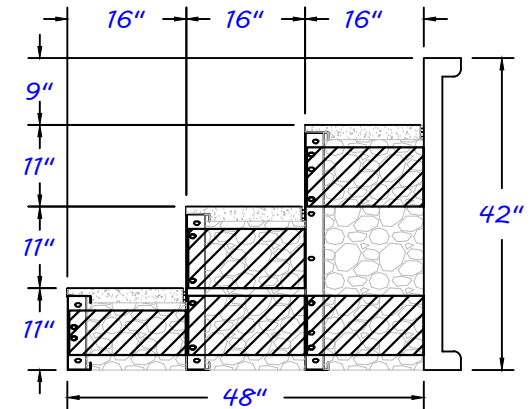
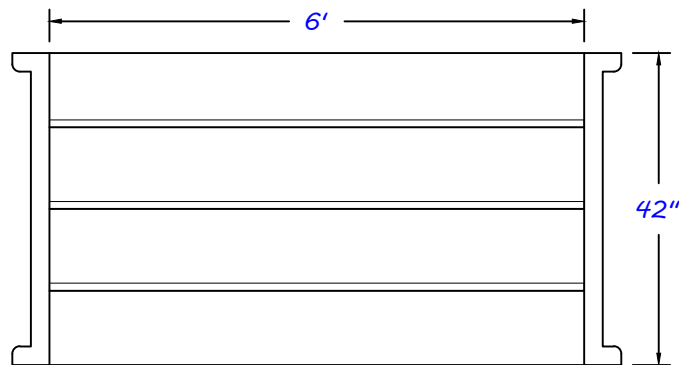
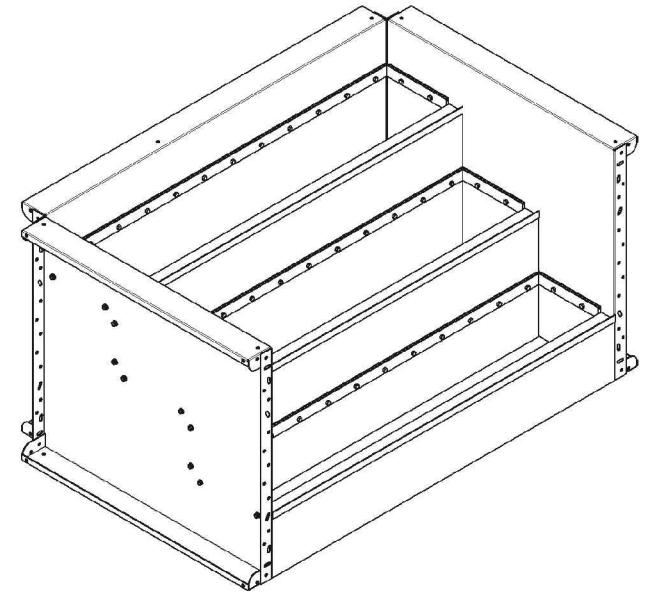
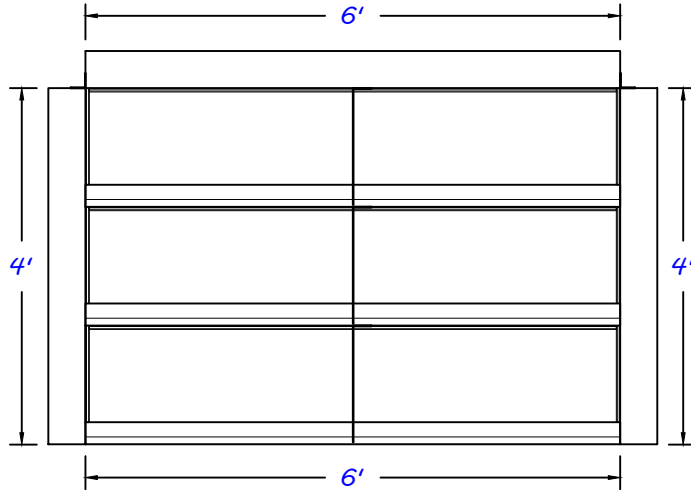


MEGNA
POOLS

MEGNA POOLS IS A DIVISION OF PARSONS

www.megnapools.com
info@megnapools.com
1-866-580-1115

TOP VIEW



FRONT VIEW

SECTION VIEW

SHAPE: STRAIGHT	DESCRIPTION: 6'-0" STRAIGHT FILL STEP - SQ / 6" RAD	PANEL TYPE: 5" TOP	DRAWN BY: JDL
STEP TYPE: FILL	PANEL HEIGHT: 42"	DATE: February 7, 2018	REVISION #: 01
		DWG #: GS0600ST42C0000NR	G



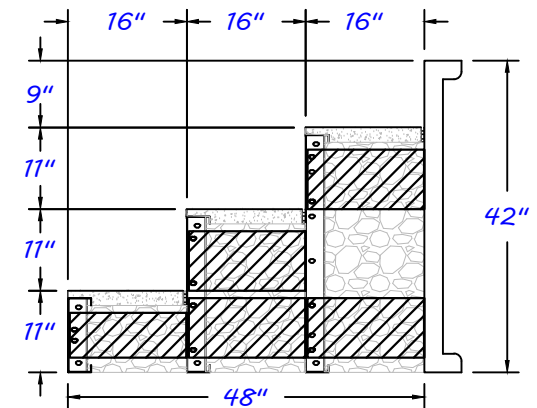
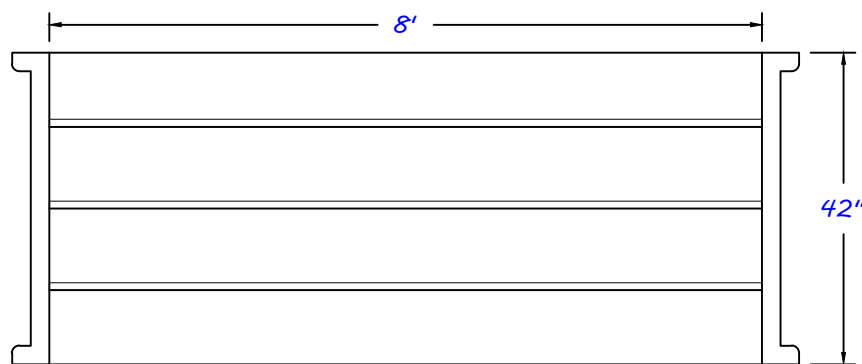
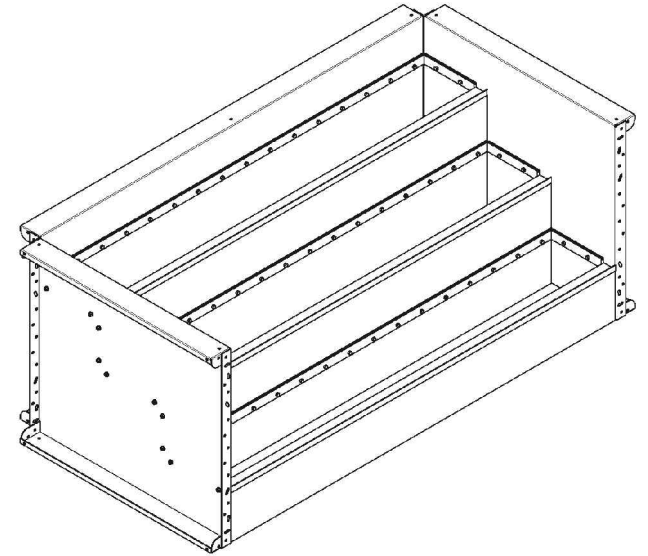
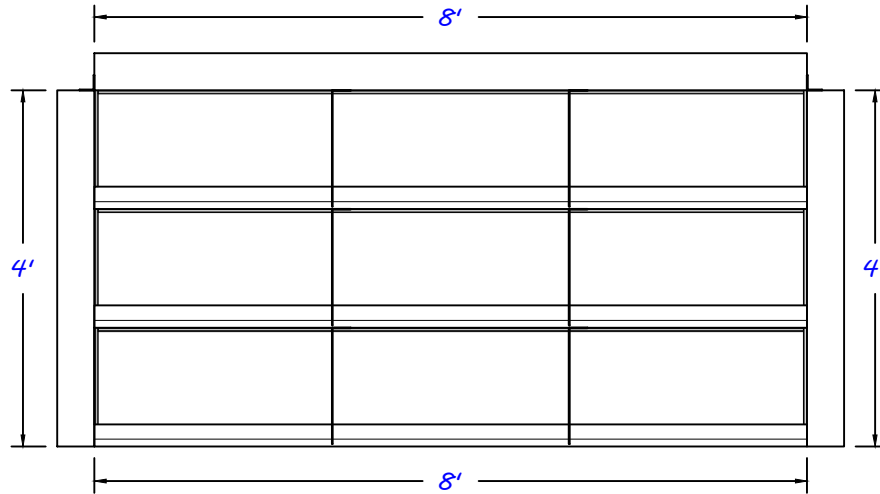
MEGNA
POOLS

THE POOL PEOPLE OF AMERICA, INC.

www.megnapools.com
info@megnapools.com
1-866-580-1115

•
•
•

TOP VIEW



FRONT VIEW

SECTION VIEW

SHAPE: STRAIGHT	DESCRIPTION: 8'-0" STRAIGHT FILL STEP - SQ / 6" RAD	PANEL TYPE: 5" TOP	DRAWN BY: JDL
STEP TYPE: FILL	PANEL HEIGHT: 42"	DATE: February 7, 2018	REVISION #: 01
		DWG #: GS0800ST42C0000NR	G

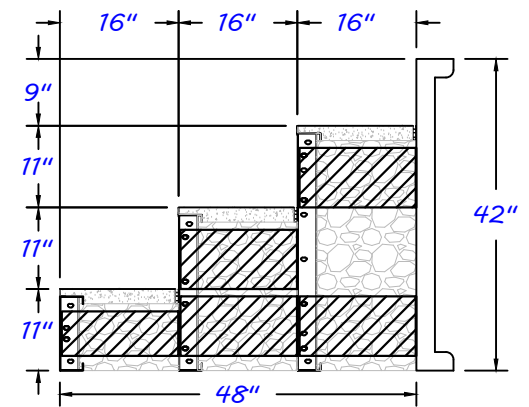
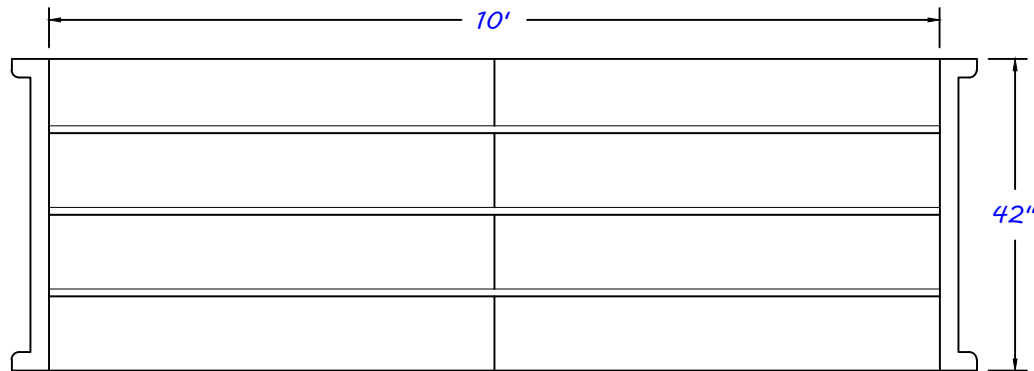
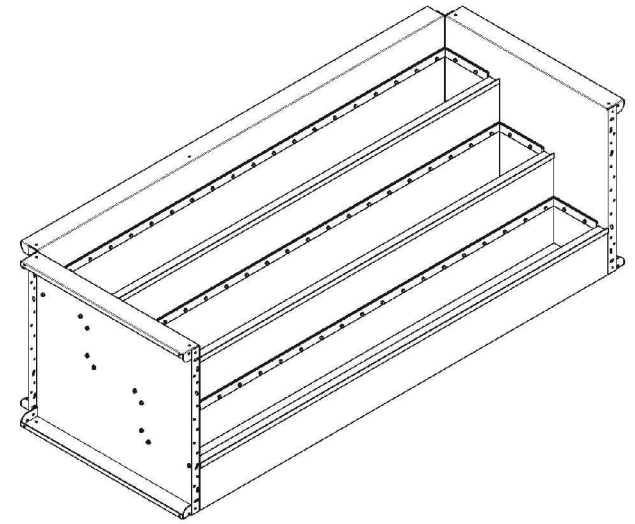
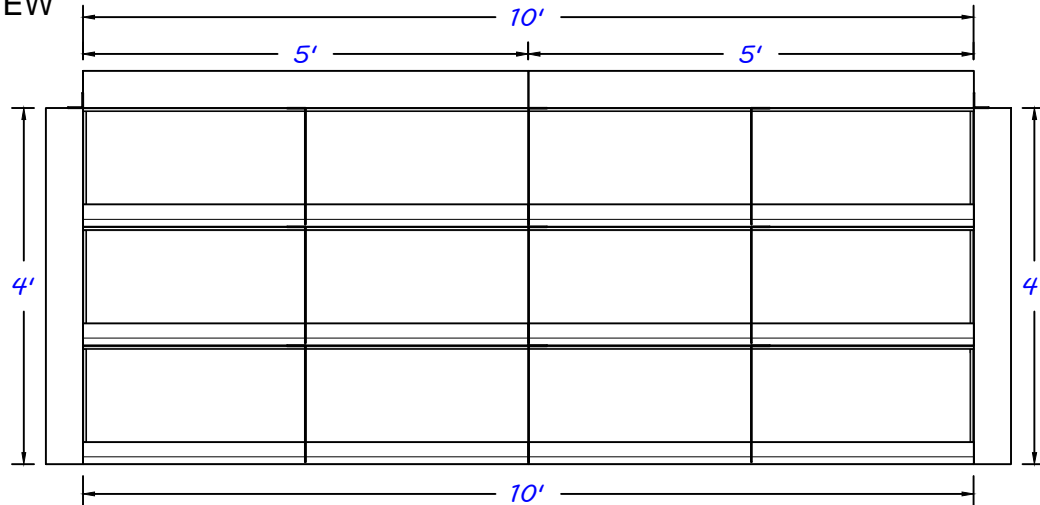


MEGNA
POOLS

MEGNA POOLS IS A DIVISION OF

www.megnapools.com
info@megnapools.com
1-866-580-1115

TOP VIEW



FRONT VIEW

SECTION VIEW

SHAPE: STRAIGHT	DESCRIPTION: 10'-0" STRAIGHT FILL STEP - SQ / 6" RAD	PANEL TYPE: 5" TOP	DRAWN BY: JDL
STEP TYPE: FILL	PANEL HEIGHT: 42"	DATE: February 7, 2018	REVISION #: 01
		DWG #: GS1000ST42C0000NR	G



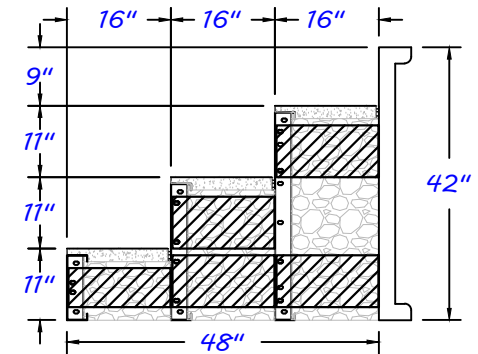
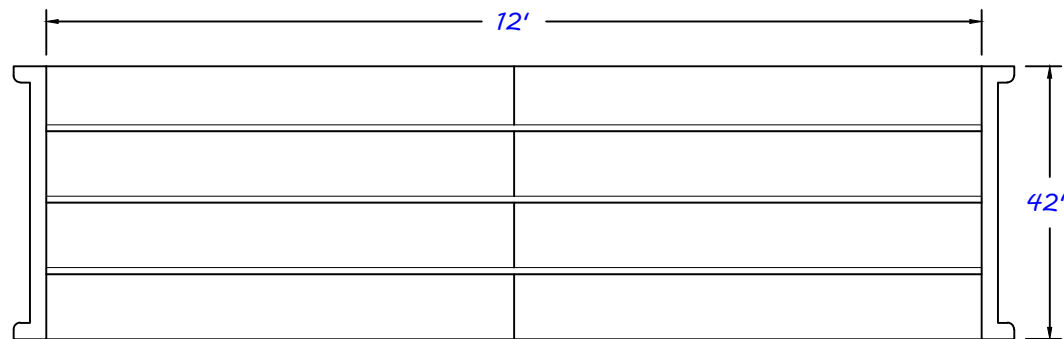
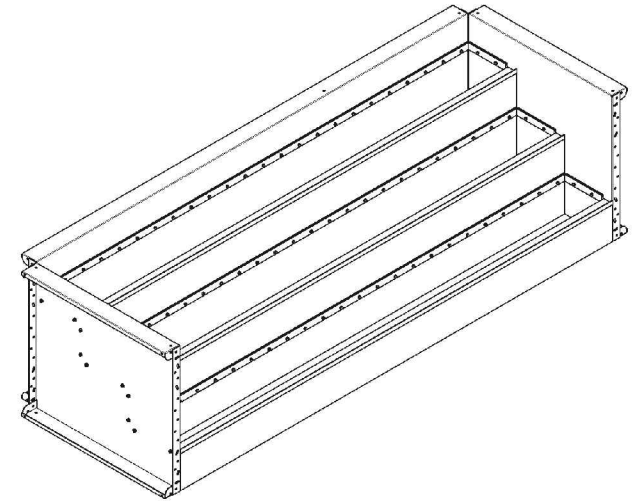
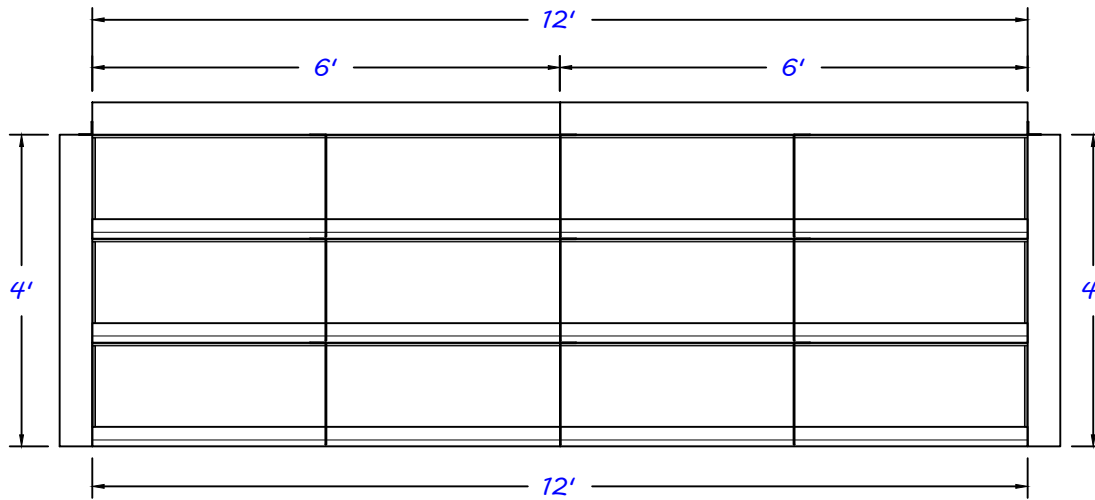
MEGNA
POOLS

THE POOL PEOPLE OF MICHIGAN

www.megnapools.com
info@megnapools.com
1-866-580-1115

•
•
•

TOP VIEW



FRONT VIEW

SECTION VIEW

SHAPE: STRAIGHT	DESCRIPTION: 12'-0" STRAIGHT FILL STEP - SQ / 6"RAD	PANEL TYPE: 5" TOP	DRAWN BY: JDL
STEP TYPE: FILL	PANEL HEIGHT: 42"	DATE: February 7, 2018	REVISION #: 01
DWG #: GS1200ST42C0000NR			G



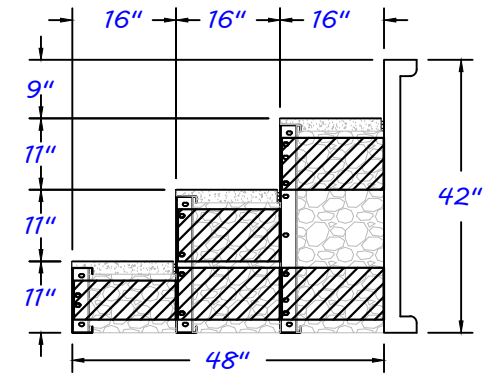
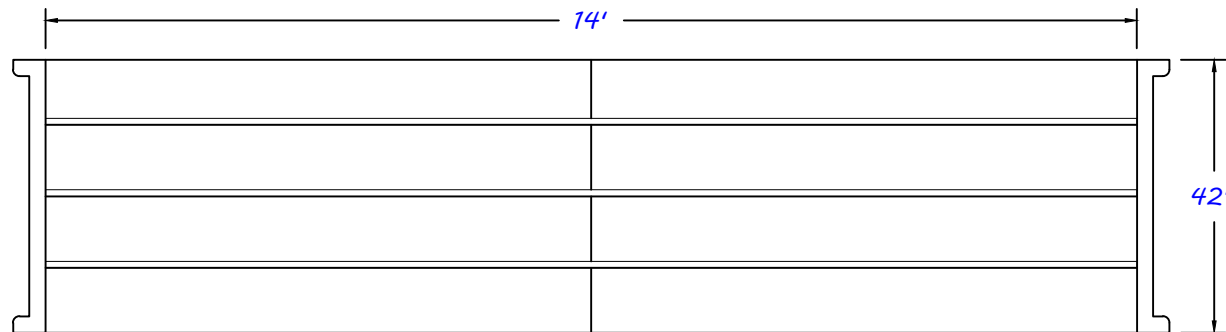
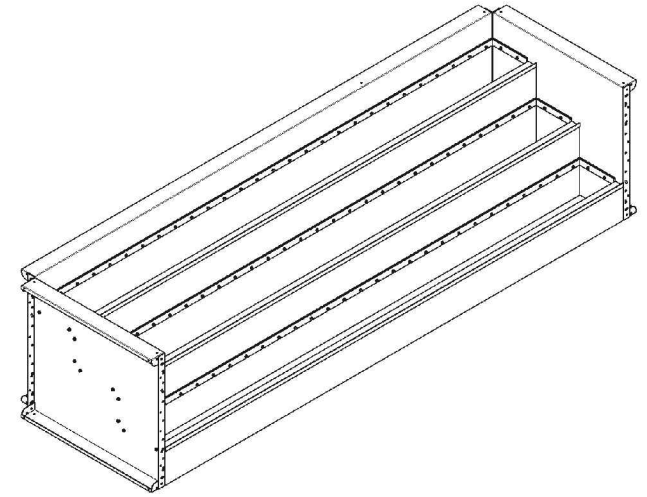
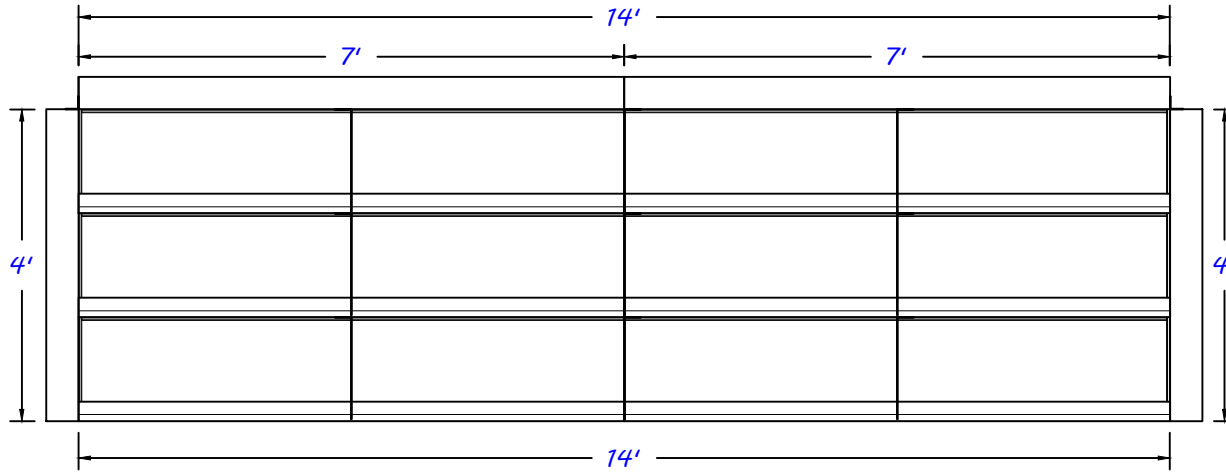
MEGNA
POOLS

MEGNA POOLS IS A DIVISION OF MEGNA POOLS CORP.

www.megnapools.com
info@megnapools.com
1-866-580-1115

•
•
•

TOP VIEW



FRONT VIEW

SECTION VIEW

SHAPE: STRAIGHT	DESCRIPTION: 14'-0" STRAIGHT FILL STEP - SQ / 6" RAD	PANEL TYPE: 5" TOP	DRAWN BY: JDL
STEP TYPE: FILL	PANEL HEIGHT: 42"	DATE: February 7, 2018	REVISION #: 01
		DWG #: GS1400ST42C0000NR	G



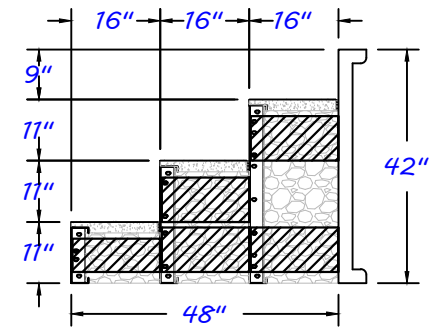
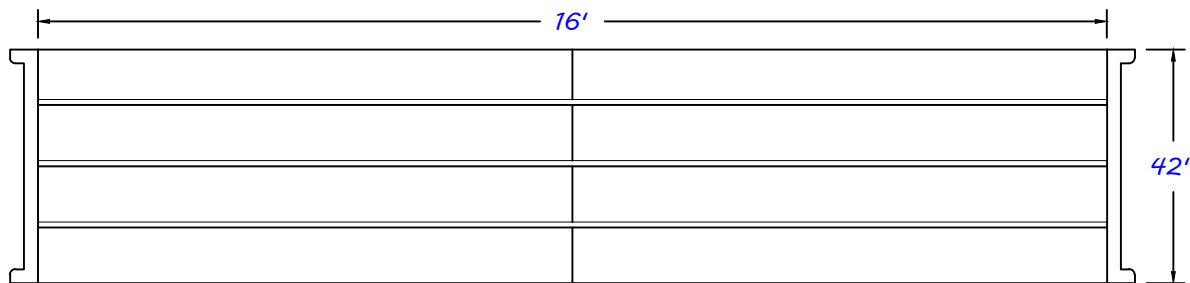
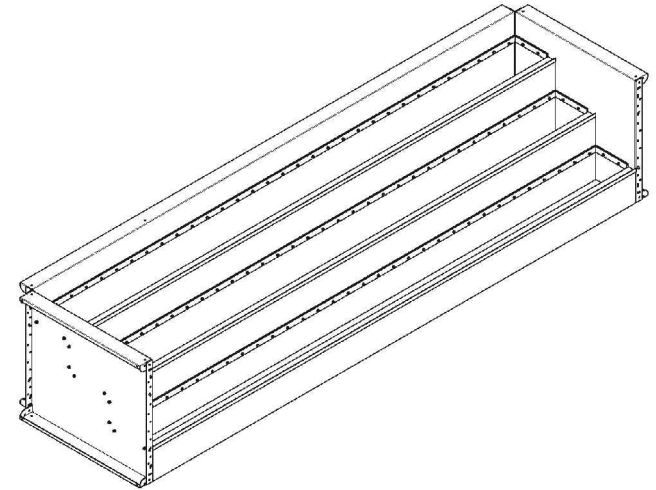
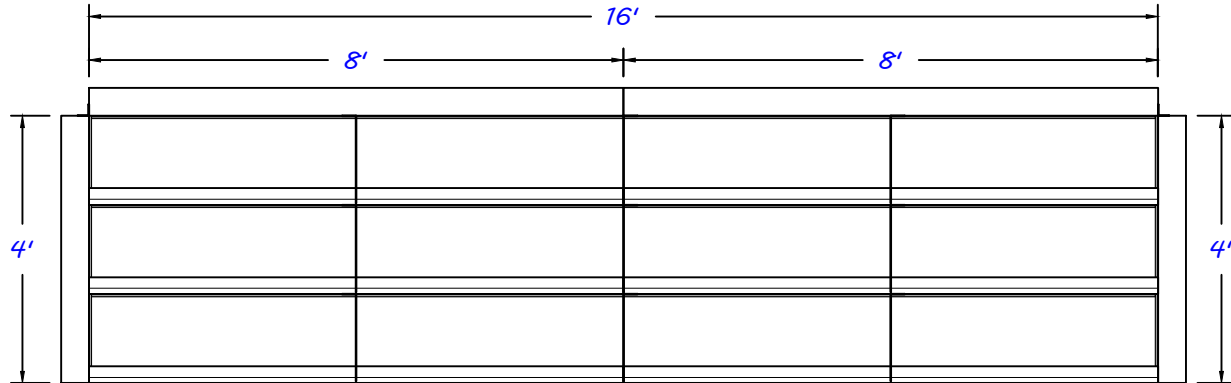
MEGNA
POOLS

THE POOL PEOPLE OF CALIFORNIA

www.megnapools.com
info@megnapools.com
1-866-580-1115

.
. .
. . .

TOP VIEW



FRONT VIEW

SECTION VIEW

SHAPE: STRAIGHT	DESCRIPTION: 16'-0" STRAIGHT FILL STEP - SQ / 6" RAD	PANEL TYPE: 5" TOP	DRAWN BY: JDL
STEP TYPE: FILL	PANEL HEIGHT: 42"	DATE: February 7, 2018	REVISION #: 01
		DWG #: GS1600ST42C0000NR	G



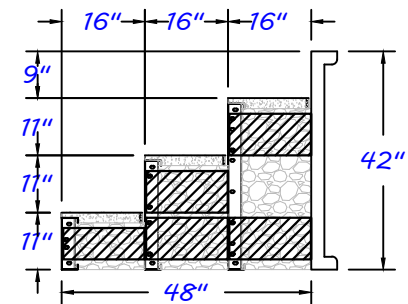
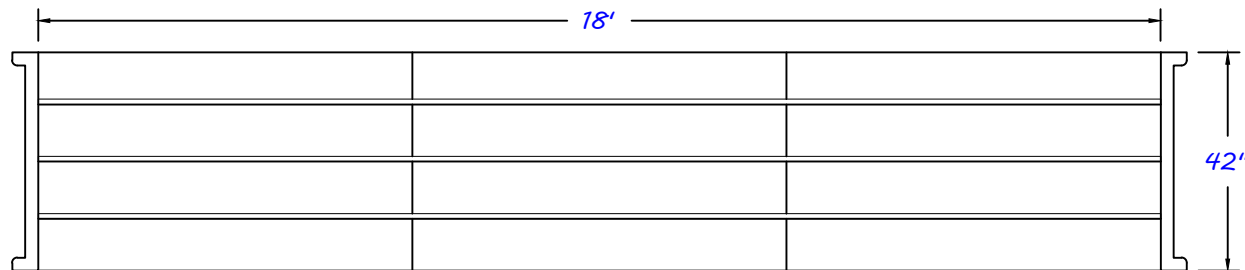
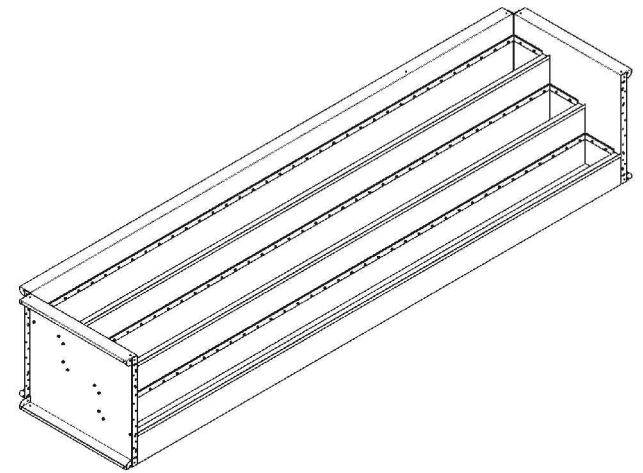
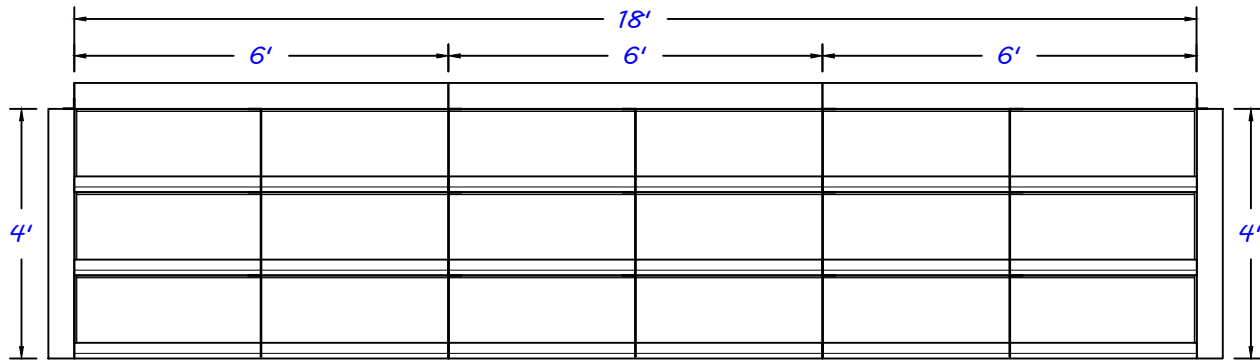
MEGNA
POOLS

MEGNA POOLS IS A DIVISION OF

www.megnapools.com
info@megnapools.com
1-866-580-1115

•
•
•

TOP VIEW



FRONT VIEW

SECTION VIEW

SHAPE: STRAIGHT	DESCRIPTION: 18'-0" STRAIGHT FILL STEP - SQ / 6" RAD	PANEL TYPE: 5" TOP	DRAWN BY: JDL
STEP TYPE: FILL	PANEL HEIGHT: 42"	DATE: February 7, 2018	REVISION #: 01
		DWG #: GS1800ST42C0000NR	G



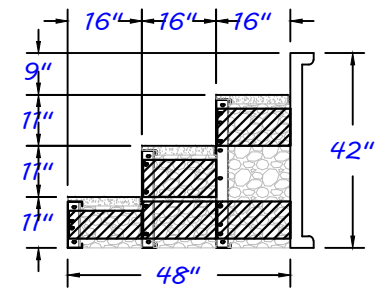
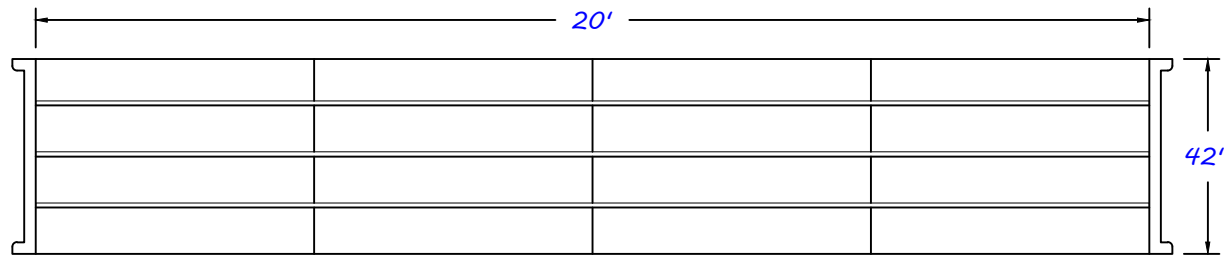
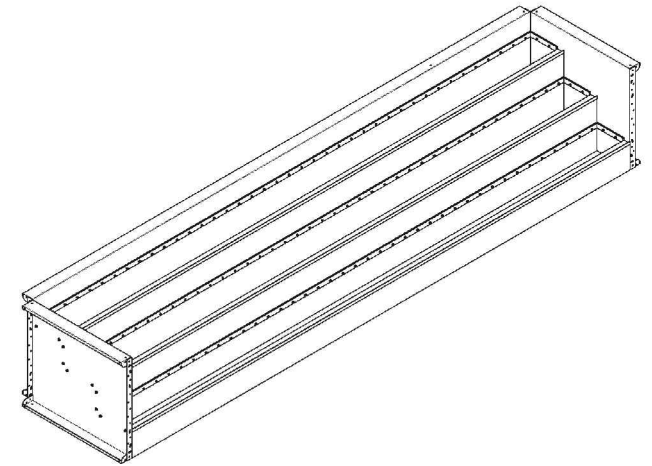
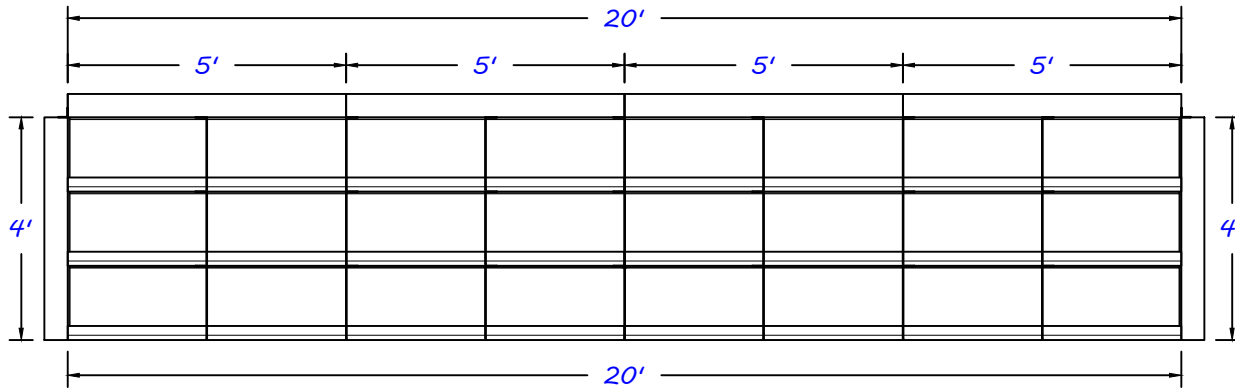
MEGNA
POOLS

MEGNA POOLS IS A DIVISION OF MEGNA POOLS CORP.

www.megnapools.com
info@megnapools.com
1-866-580-1115

.
. .
. . .

TOP VIEW



FRONT VIEW

SECTION VIEW

SHAPE: STRAIGHT	DESCRIPTION: 20'-0" STRAIGHT FILL STEP - SQ / 6" RAD	PANEL TYPE: 5" TOP	DRAWN BY: JDL
STEP TYPE: FILL	PANEL HEIGHT: 42"	DATE: February 7, 2018	REVISION #: 01
		DWG #: GS2000ST42C0000NR	G

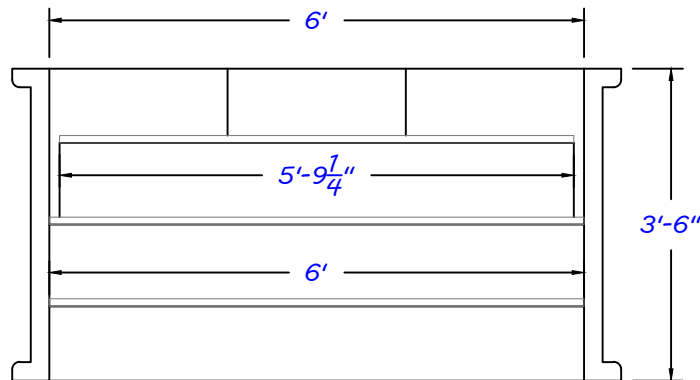
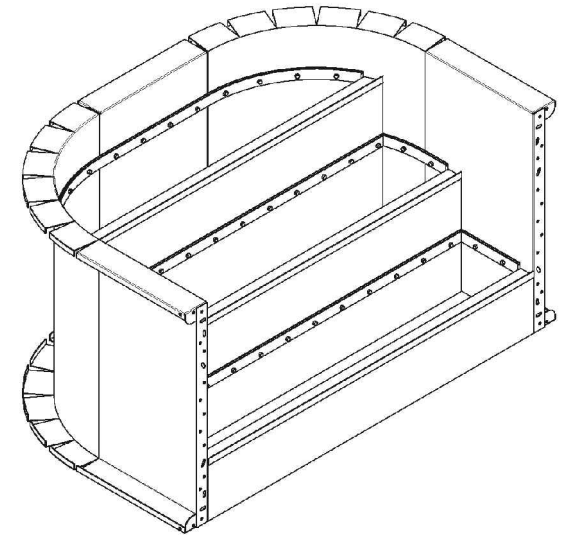
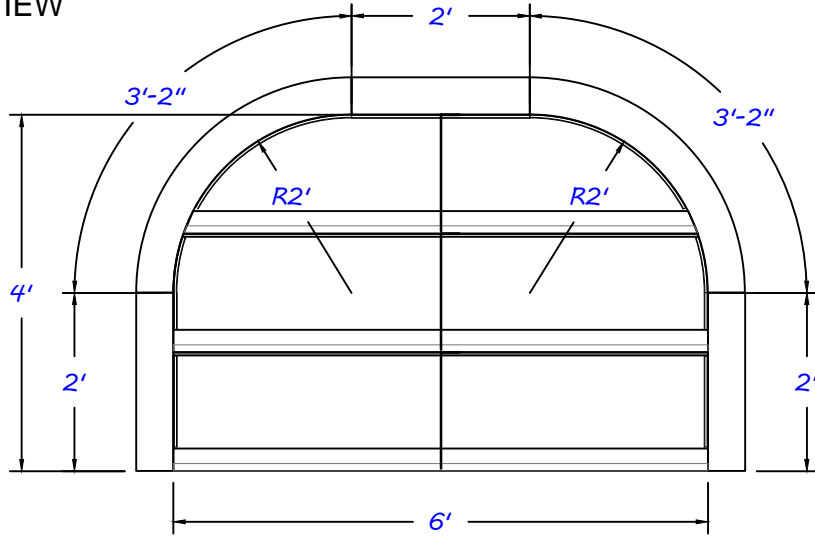


MEGNA
POOLS

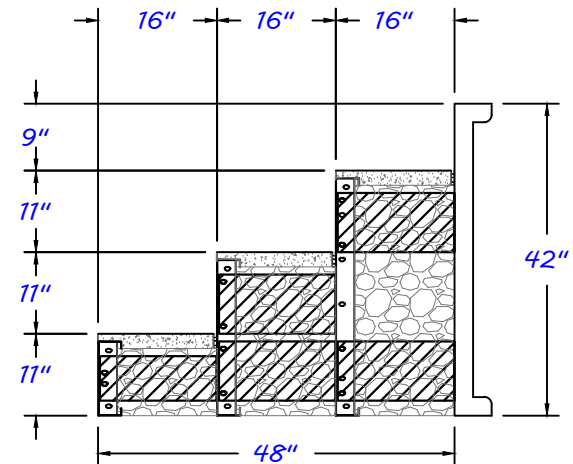
MEGNA POOLS IS A DIVISION OF PARSONS CORP.

www.megnapools.com
info@megnapools.com
1-866-580-1115

TOP VIEW



FRONT VIEW



SECTION VIEW

SHAPE: STRAIGHT	DESCRIPTION: 6'-0" STRAIGHT FILL STEP - 2' RADIUS CORNERS	PANEL TYPE: 5" TOP	DRAWN BY: JDL
STEP TYPE: FILL	PANEL HEIGHT: 42"	DATE: February 7, 2018	REVISION #: 01
		DWG #: GS0600ST42C0200NR	G



MEGNA
POOLS

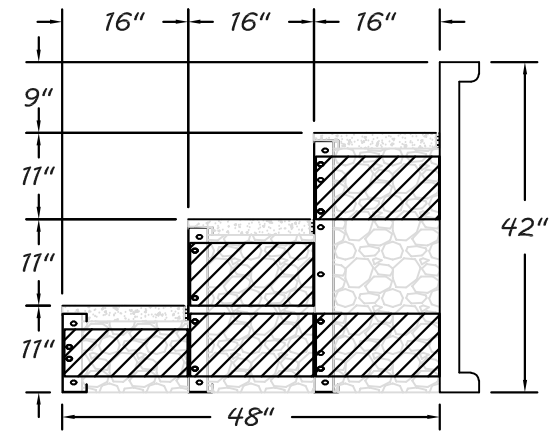
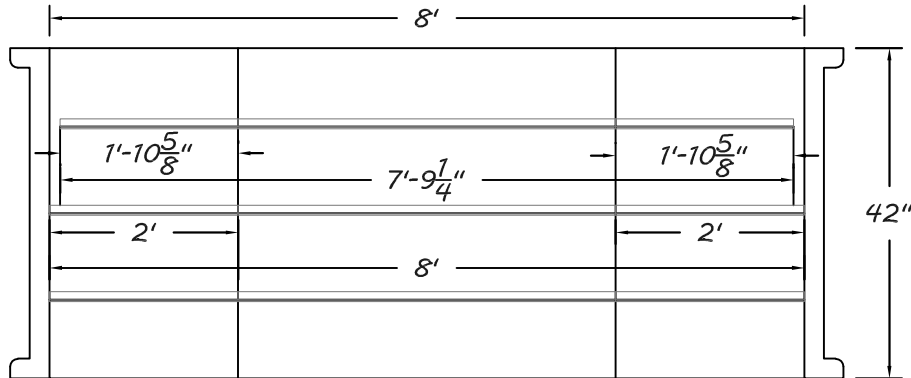
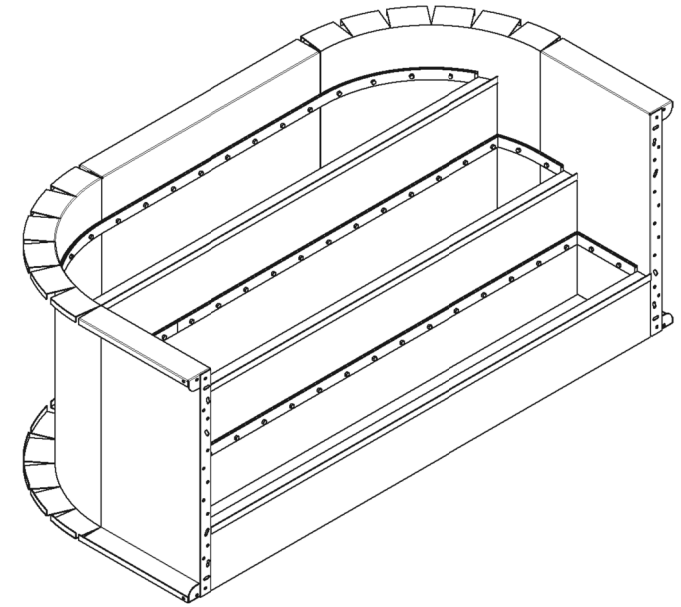
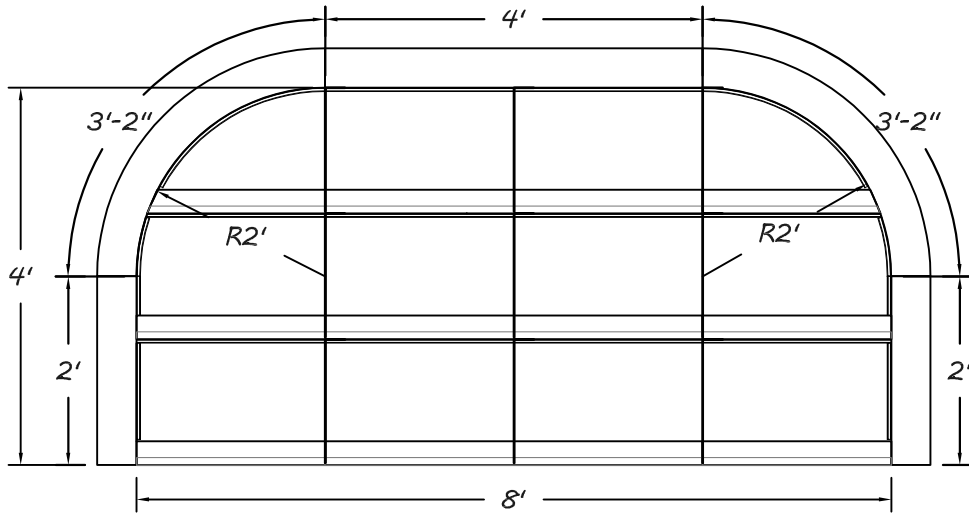
Magna Plastic Packaging Corp.

www.megnapools.com

info@megnapools.com

1-866-580-1115

TOP VIEW



FRONT VIEW

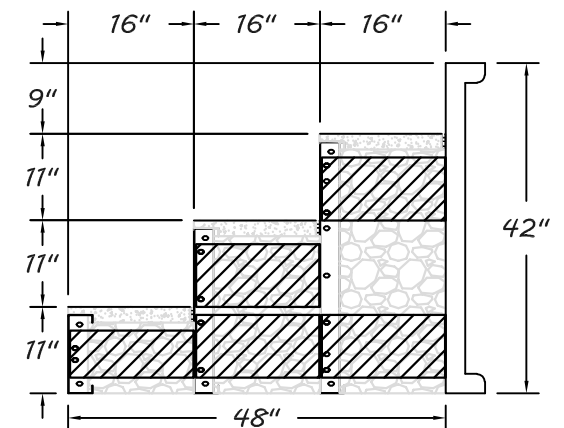
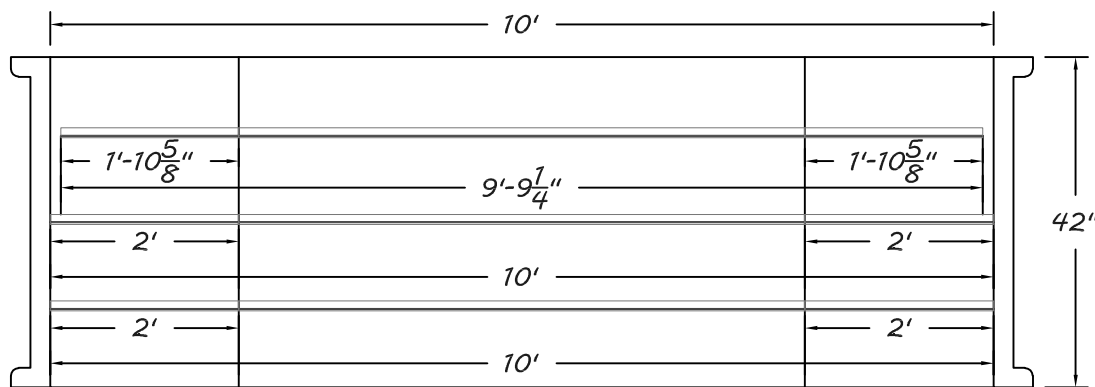
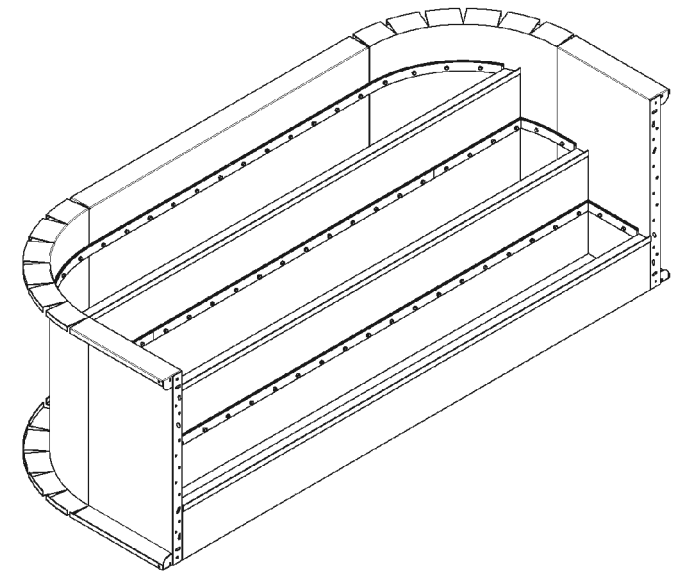
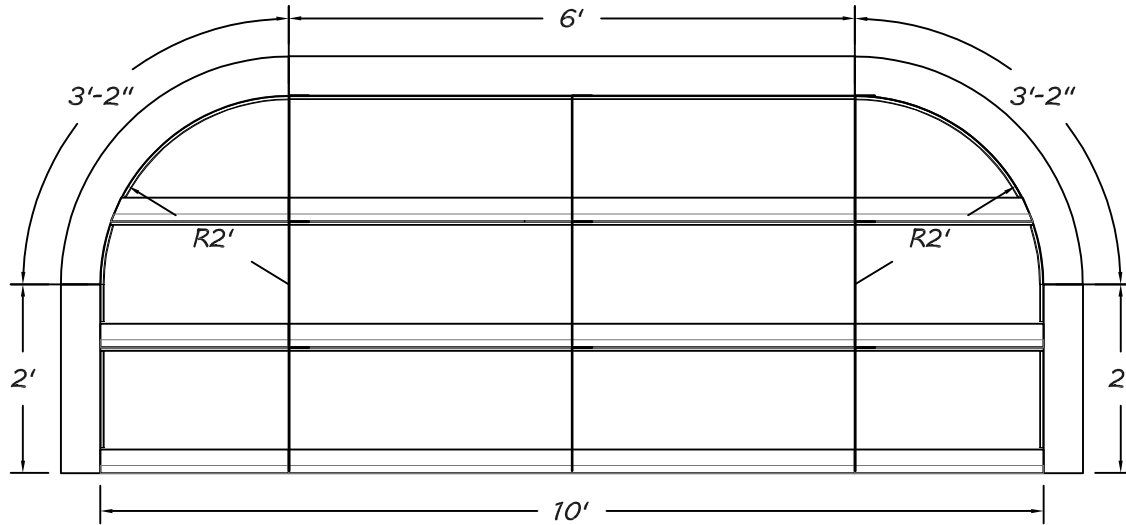
SECTION VIEW

SHAPE : STRAIGHT	DESCRIPTION : 8' STRAIGHT STEEL STEP-2' RADIUS CORNERS	PANEL TYPE : 5" TOP	DRAWN BY : JDL
STEP TYPE : FILL	PANEL HEIGHT : 42"	DATE : February 7, 2018	REVISION # : 01
		DWG # : GS0800ST42C0200NR	G



www.megnapools.com
 info@megnapools.com
 1-866-580-1115

TOP VIEW



FRONT VIEW

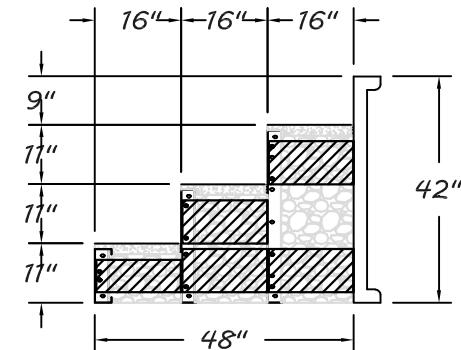
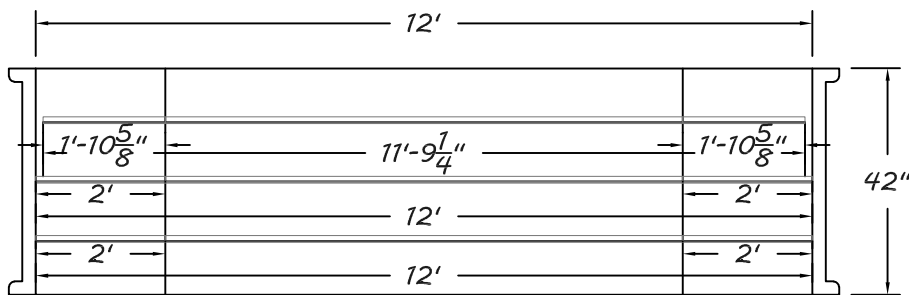
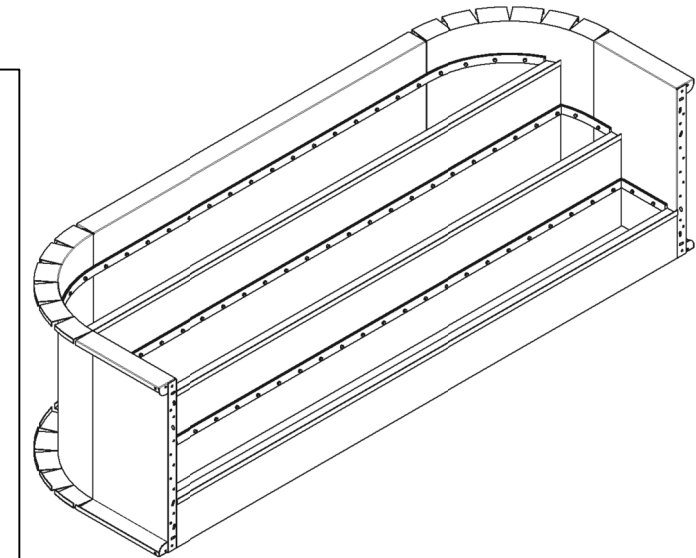
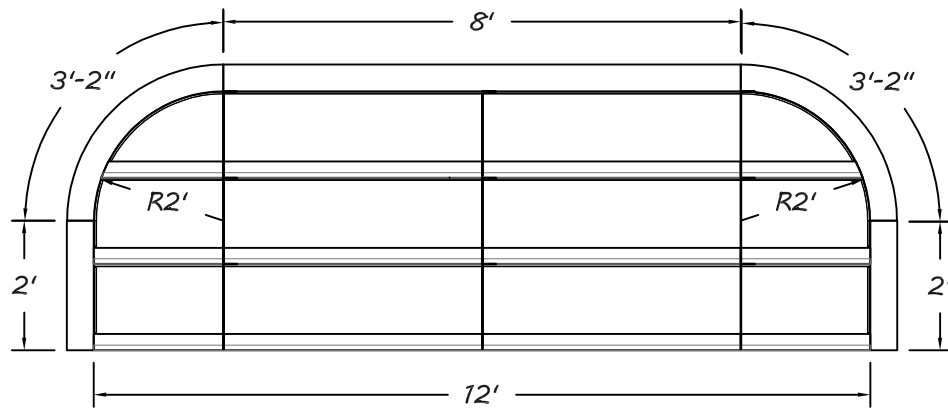
SECTION VIEW

SHAPE: STRAIGHT	DESCRIPTION: 10' STRAIGHT STEEL STEP-2' RADIUS CORNERS	PANEL TYPE: 5" TOP	DRAWN BY: JDL
STEP TYPE: FILL	PANEL HEIGHT: 42"	DATE: February 7, 2018	REVISION #: 01
		DWG #: GS1000ST42C0200NR	G



www.megnapools.com
 info@megnapools.com
 1-866-580-1115

TOP VIEW



FRONT VIEW

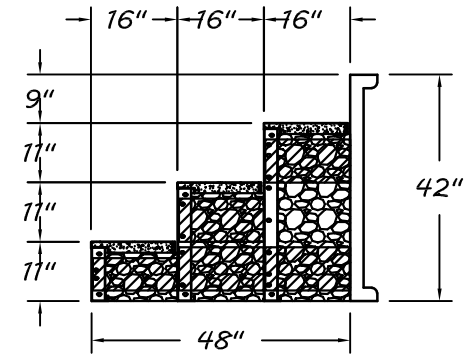
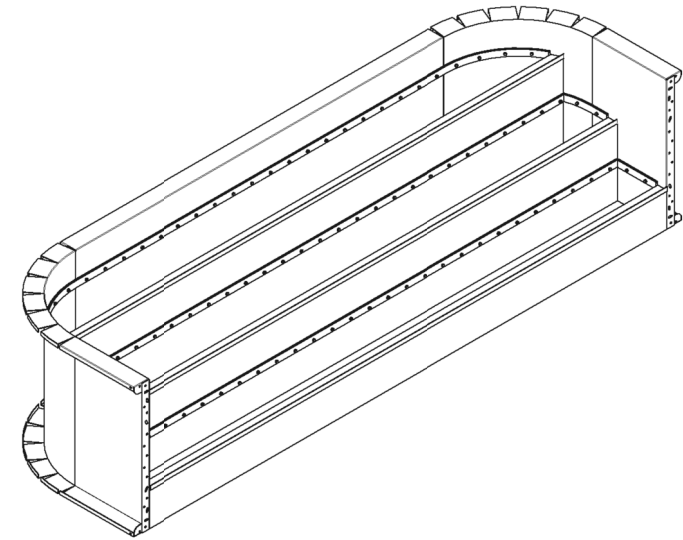
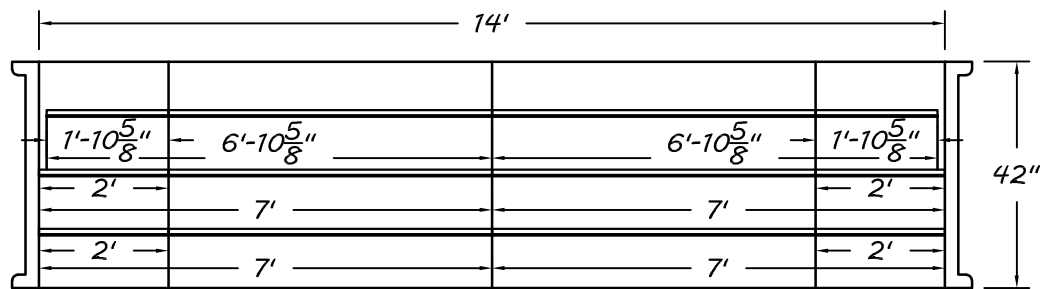
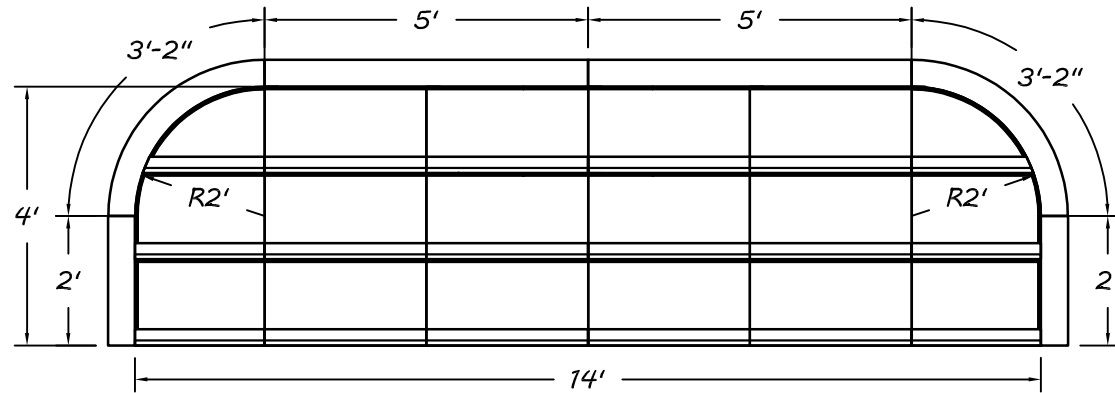
SECTION VIEW

SHAPE: STRAIGHT	DESCRIPTION: 12' STRAIGHT STEEL STEP-2' RADIUS CORNERS	PANEL TYPE: 5" TOP	DRAWN BY: JDL
STEP TYPE: FILL	PANEL HEIGHT: 42"	DATE: February 7, 2018	REVISION #: 01
		DWG #: GS1200ST42C0200NR	G



www.megnapools.com
 info@megnapools.com
 1-866-580-1115

TOP VIEW



FRONT VIEW

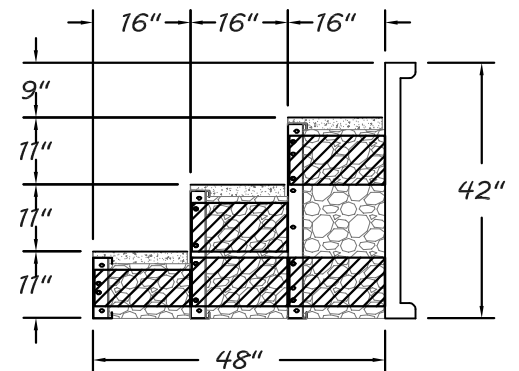
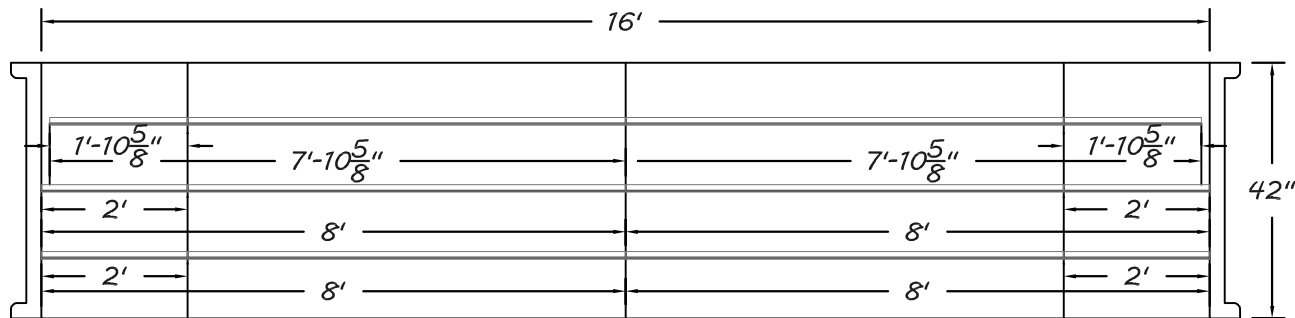
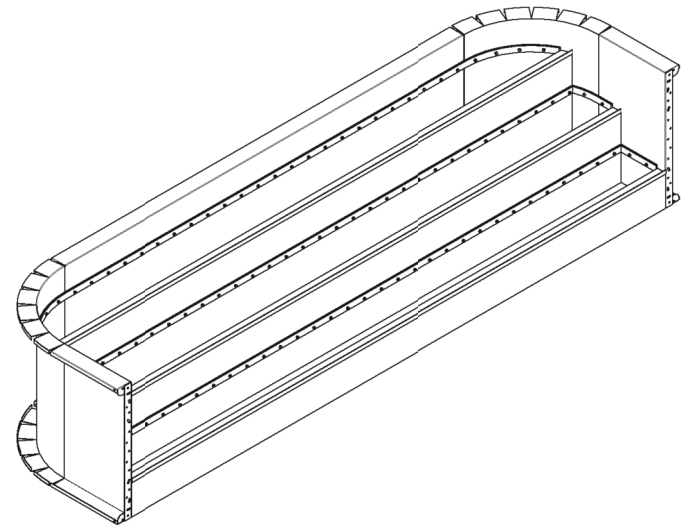
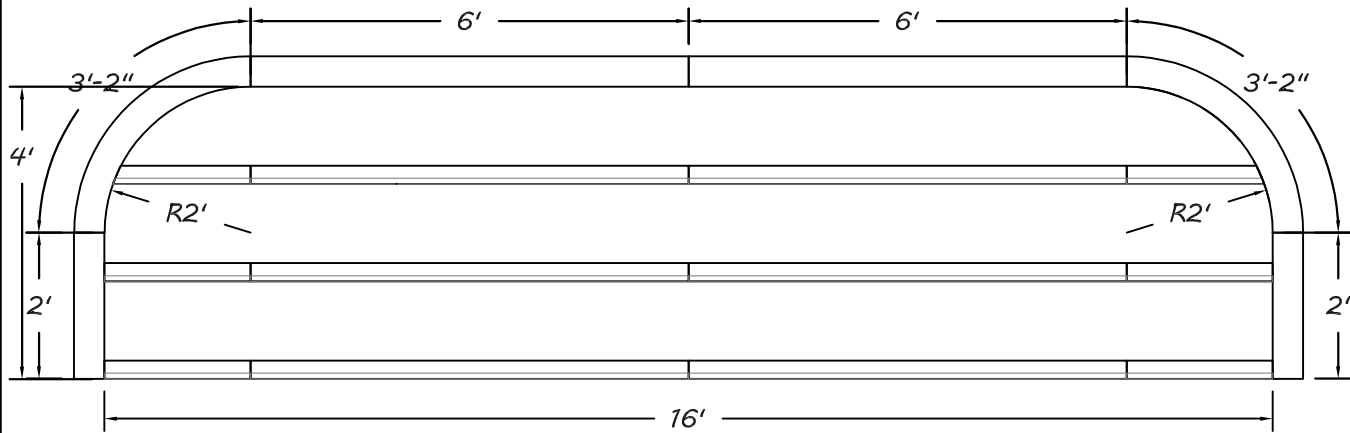
SECTION VIEW

SHAPE: STRAIGHT	DESCRIPTION: 14' STRAIGHT STEEL STEP-2' RADIUS CORNERS	PANEL TYPE: 5" TOP	DRAWN BY: JDL
STEP TYPE: FILL	PANEL HEIGHT: 42"	DATE: February 7, 2018	REVISION #: 01
		DWG #: GS1400ST42C0200NR	G



www.megnapools.com
 info@megnapools.com
 1-866-580-1115

TOP VIEW



FRONT VIEW

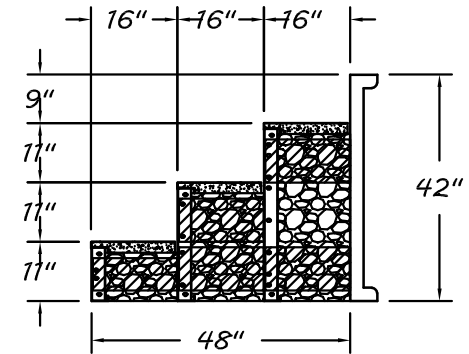
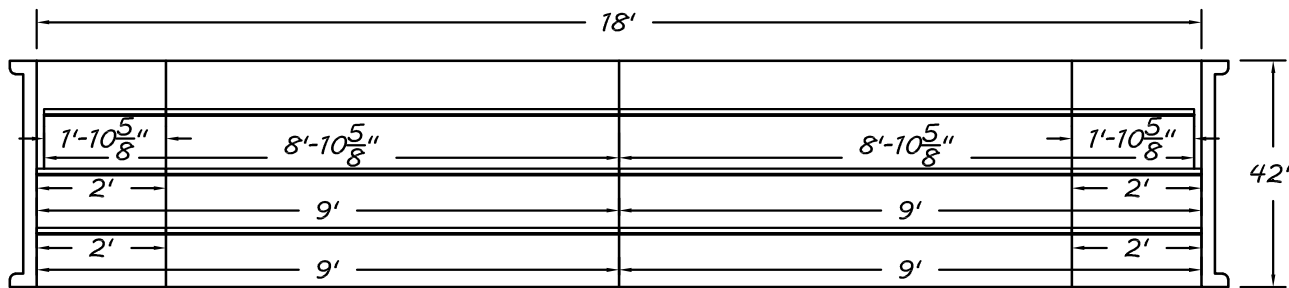
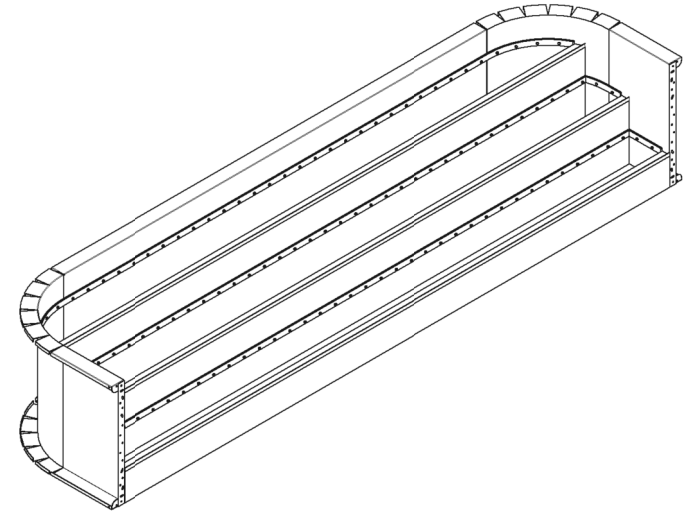
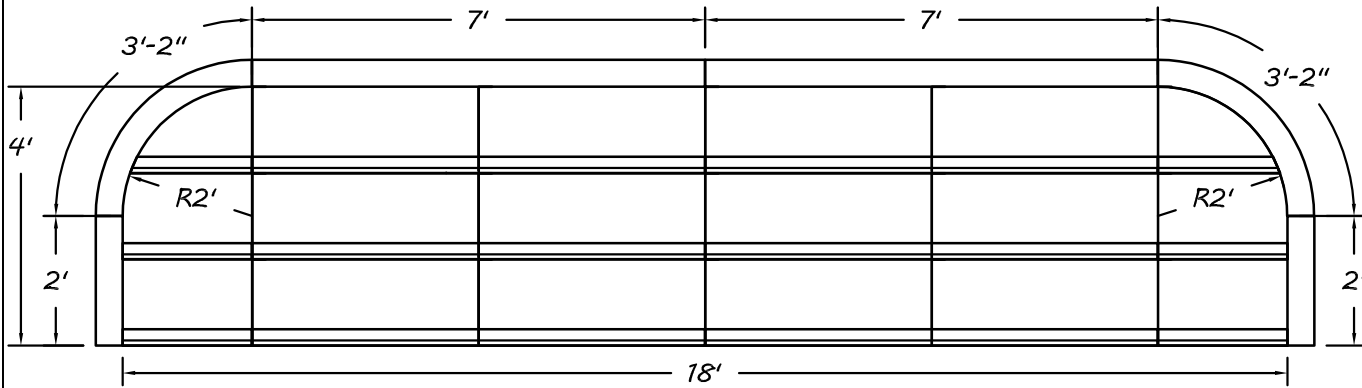
SECTION VIEW

SHAPE: STRAIGHT	DESCRIPTION: 16' STRAIGHT STEEL STEP-2' RADIUS CORNERS	PANEL TYPE: 5" TOP	DRAWN BY: MT
STEP TYPE: FILL	PANEL HEIGHT: 42"	DATE: February 7, 2018	REVISION #: 01
		DWG #: GS1600ST42C0200NR	G



www.megnapools.com
 info@megnapools.com
 1-866-580-1115

TOP VIEW



FRONT VIEW

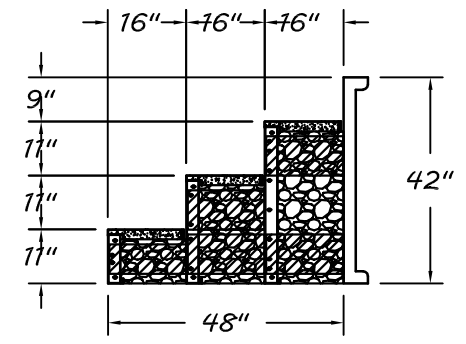
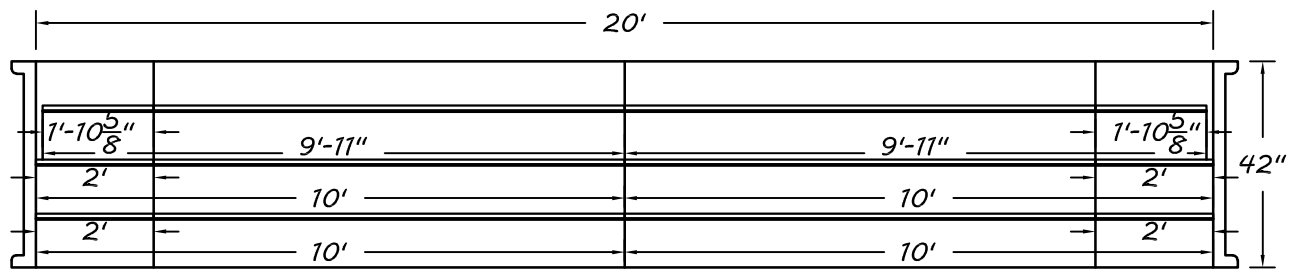
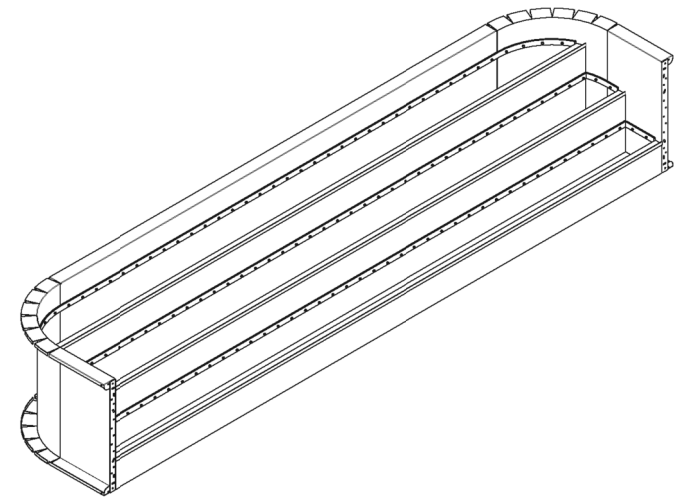
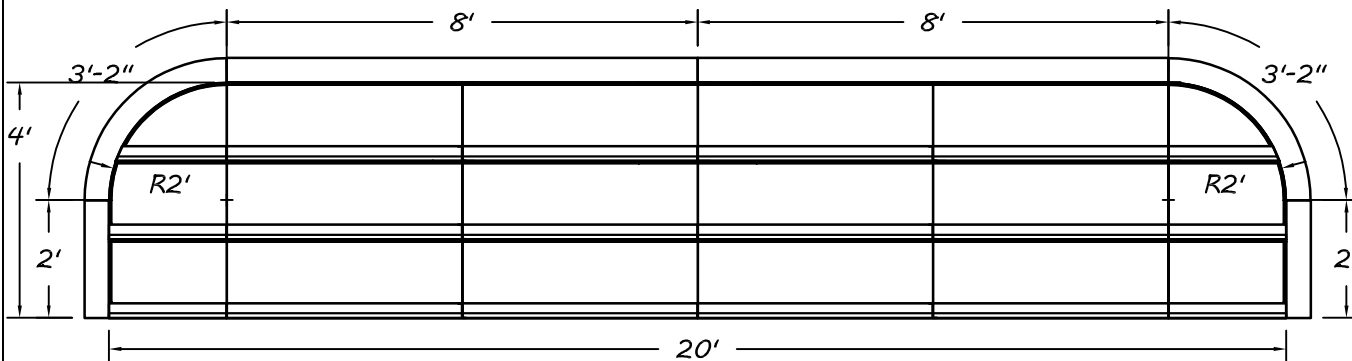
SECTION VIEW

SHAPE: STRAIGHT	DESCRIPTION: 18' STRAIGHT STEEL STEP-2' RADIUS CORNERS	PANEL TYPE: 5" TOP	DRAWN BY: MT
STEP TYPE: FILL	PANEL HEIGHT: 42"	DATE: February 7, 2018	REVISION #: 01
		DWG #: GS1800ST42C0200NR	G



www.megnapools.com
 info@megnapools.com
 1-866-580-1115

TOP VIEW



FRONT VIEW

SECTION VIEW

SHAPE: STRAIGHT	DESCRIPTION: 20' STRAIGHT STEEL STEP-2' RADIUS CORNERS	PANEL TYPE: 5" TOP	DRAWN BY: MT
STEP TYPE: FILL	PANEL HEIGHT: 42"	DATE: February 7, 2018	REVISION #: 01
		DWG #: GS2000ST42C0200NR	G

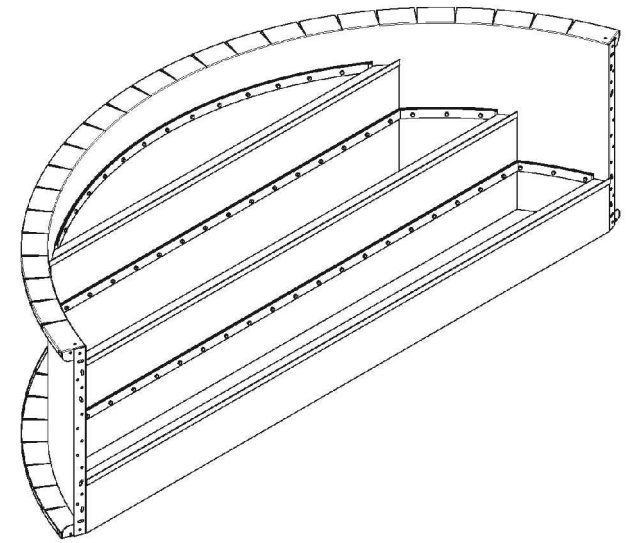
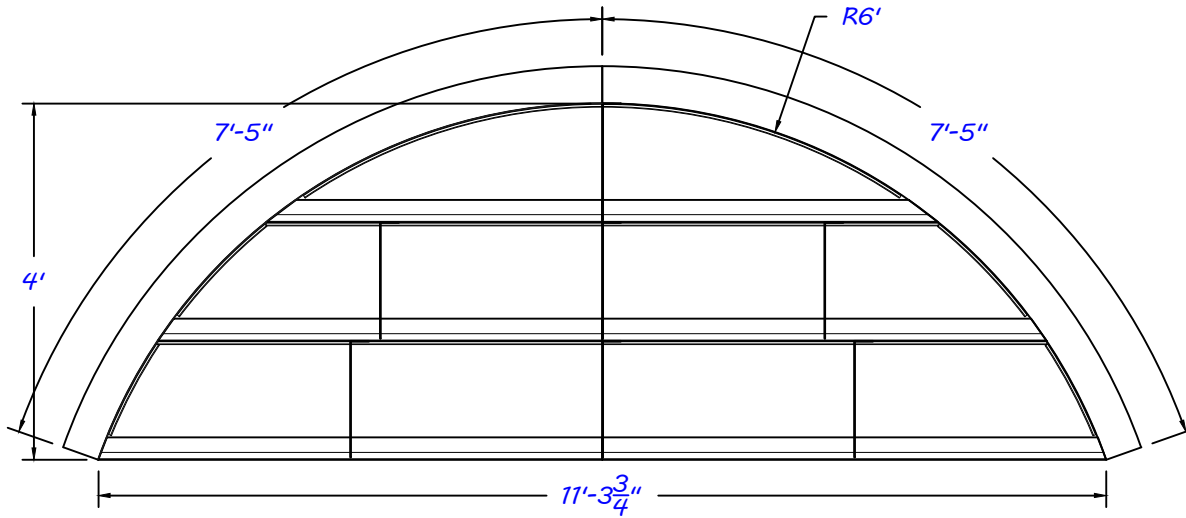


MEGNA
POOLS

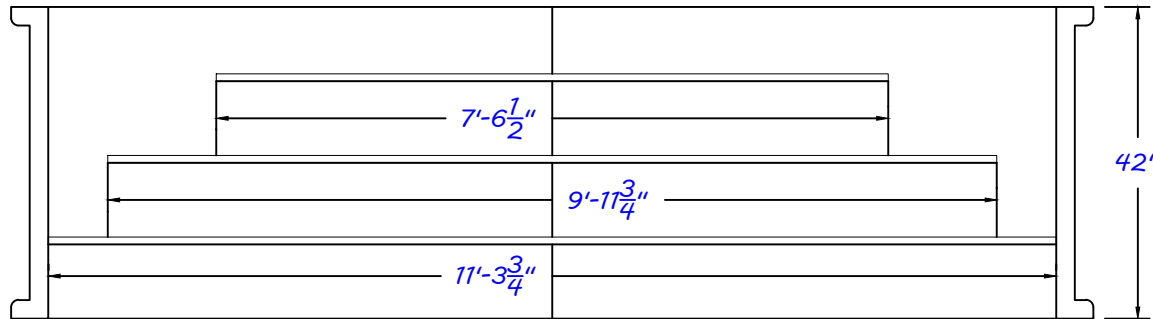
MEGNA POOLS IS A DIVISION OF MEGNA POOLS CORP.

www.megnapools.com
info@megnapools.com
1-866-580-1115

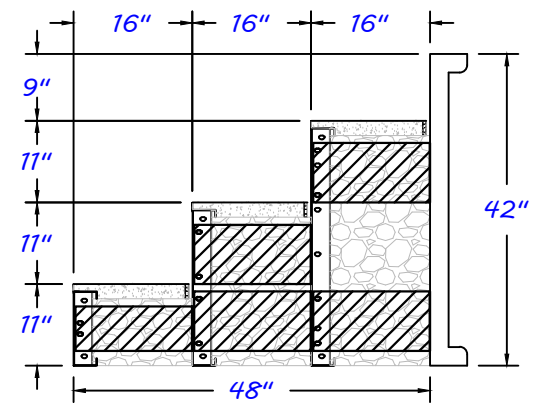
TOP VIEW



+



FRONT VIEW



SECTION VIEW

SHAPE: RADIUS	DESCRIPTION: 11'-4" X 6'-0" RADIUS FILL STEP	PANEL TYPE: 5" TOP	DRAWN BY: JDL
STEP TYPE: FILL	PANEL HEIGHT: 42"	DATE: February 7, 2018	REVISION #: 01
DWG #: GS1104CU42R0600NR			G

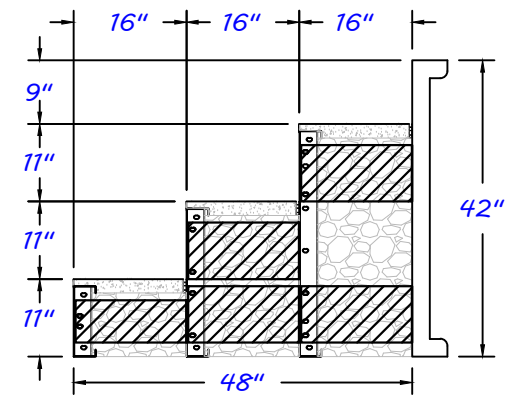
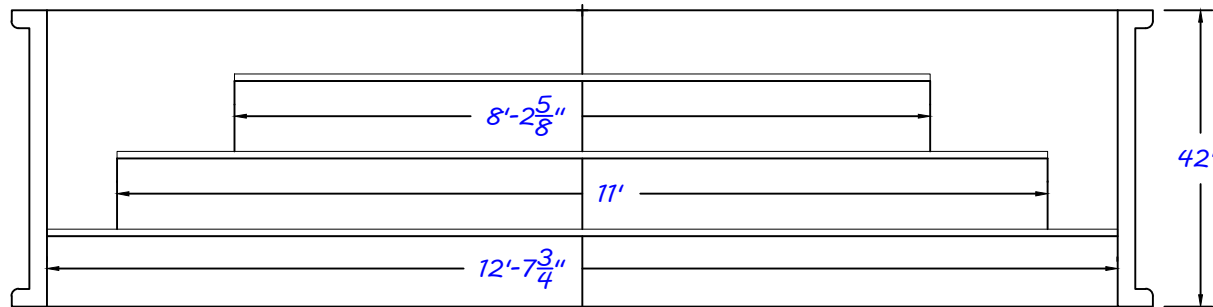
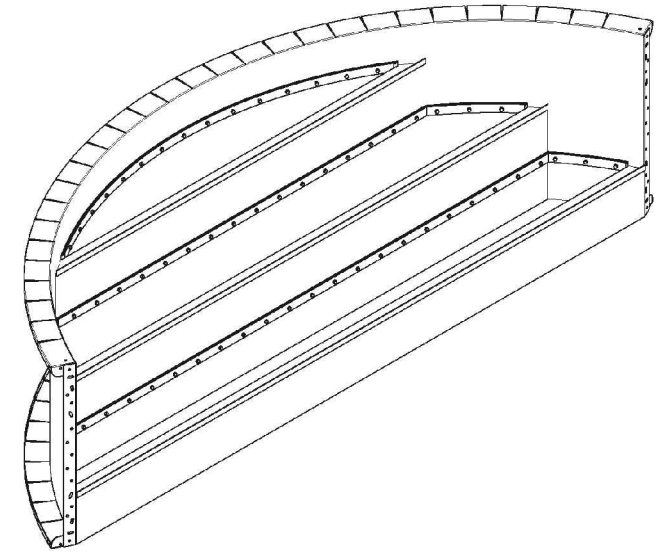
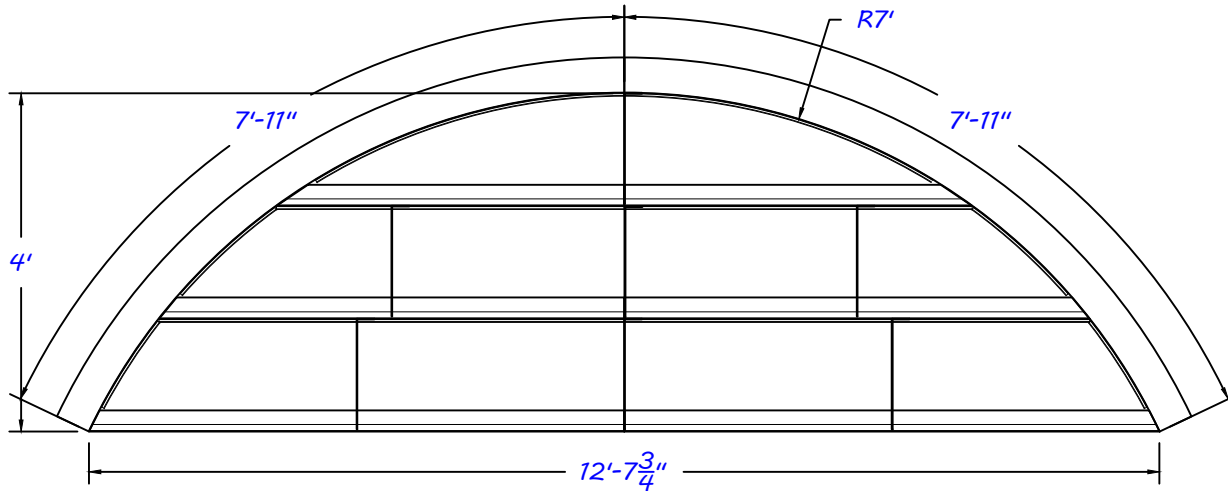


MEGNA
POOLS

THE GARDEN OF EDELWEISS

www.megnapools.com
info@megnapools.com
1-866-580-1115

TOP VIEW



FRONT VIEW

SECTION VIEW

SHAPE: RADIUS	DESCRIPTION: 12'-8" X 7'-0" RADIUS FILL STEP	PANEL TYPE: 5" TOP	DRAWN BY: JDL
STEP TYPE: FILL	PANEL HEIGHT: 42"	DATE: February 7, 2018	REVISION #: 01
DWG #: GS1208CU42R0700NR			G

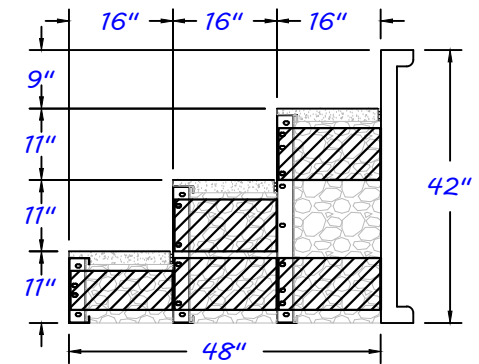
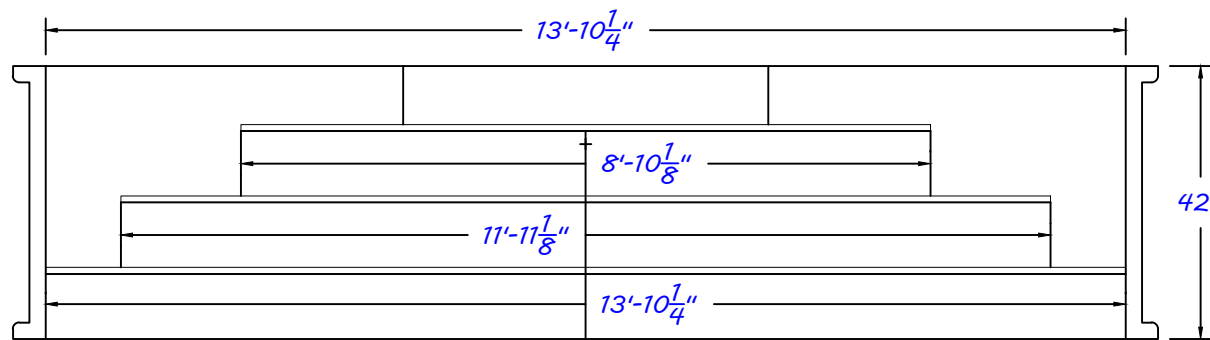
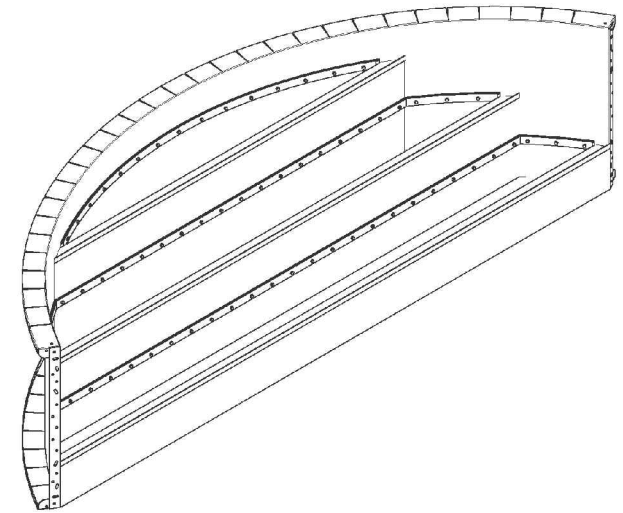
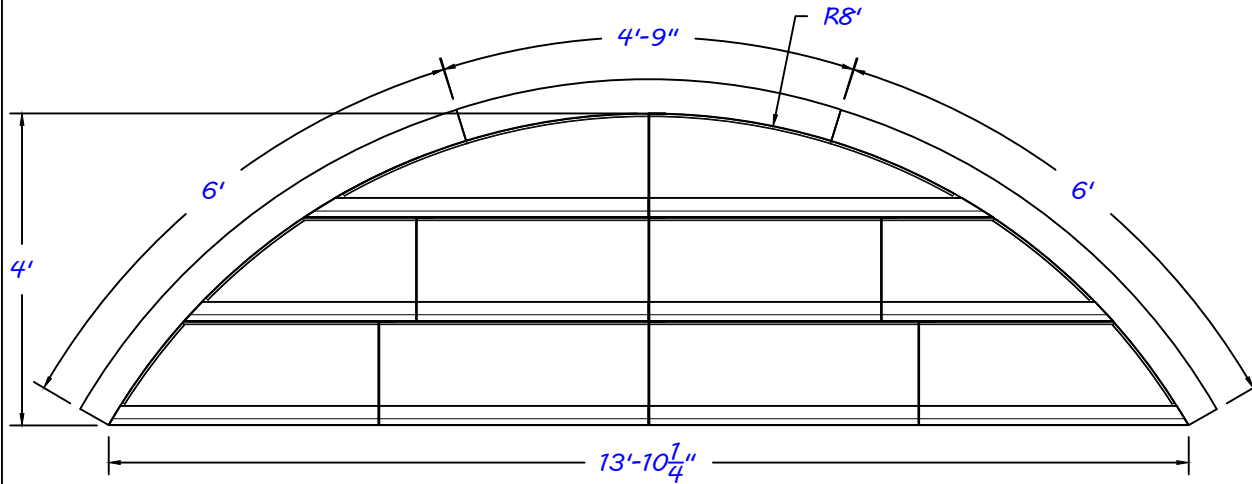


MEGNA
POOLS

THE POOL PEOPLE OF AMERICA, INC.

www.megnapools.com
info@megnapools.com
1-866-580-1115

TOP VIEW



FRONT VIEW

SECTION VIEW

SHAPE: RADIUS	DESCRIPTION: 13'-10" X 8'-0" RADIUS FILL STEP	PANEL TYPE: 5" TOP	DRAWN BY: JDL
STEP TYPE: FILL	PANEL HEIGHT: 42"	DATE: February 7, 2018	REVISION #: 01
DWG #: GS1310CU42R0800NR			G

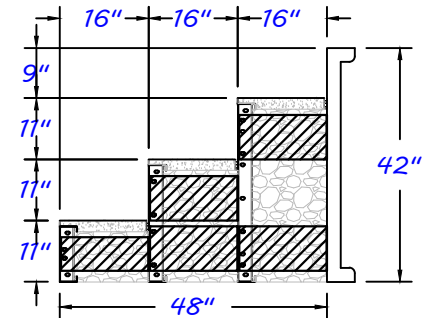
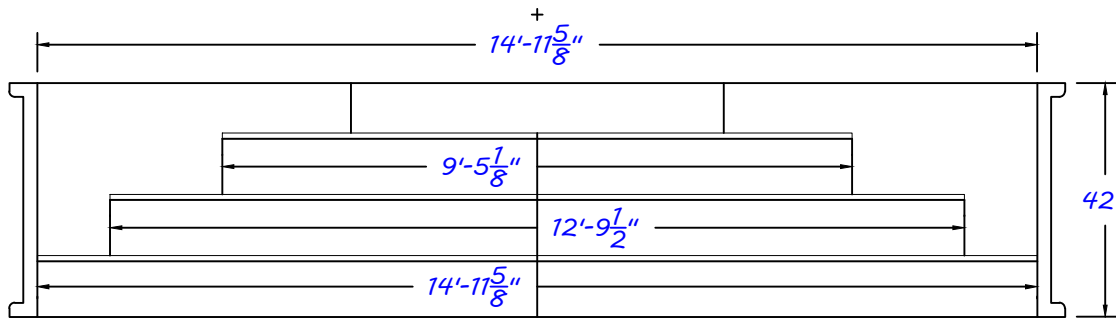
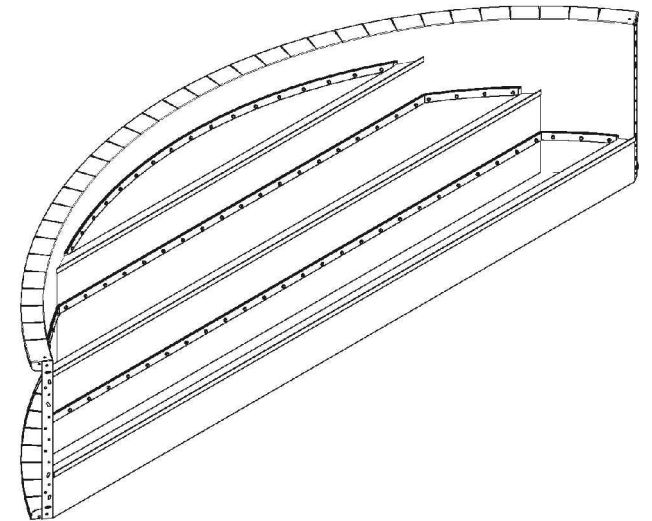
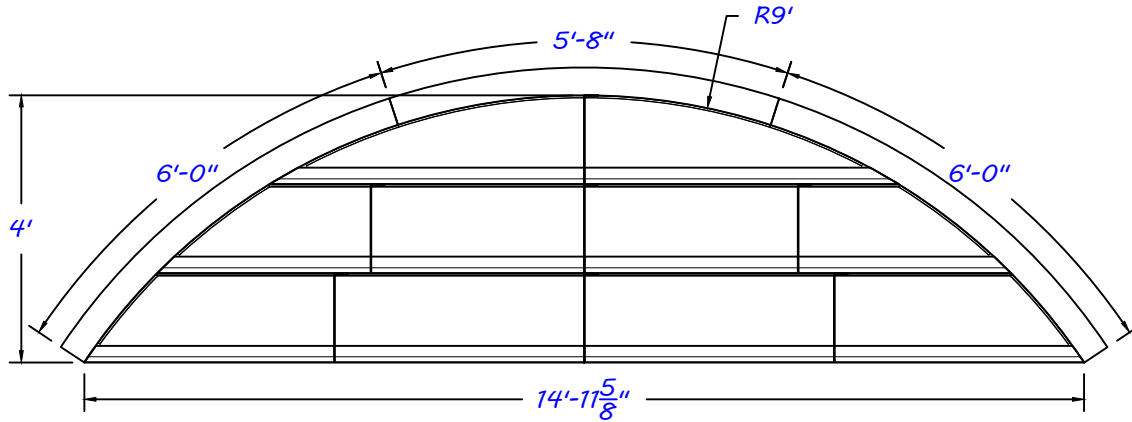


MEGNA
POOLS

THE POOL PEOPLE OF AMERICA, INC.

www.megnapools.com
info@megnapools.com
1-866-580-1115

TOP VIEW



FRONT VIEW

SECTION VIEW

SHAPE: RADIUS	DESCRIPTION: 15'-0" X 9'-0" RADIUS FILL STEP	PANEL TYPE: 5" TOP	DRAWN BY: JDL
STEP TYPE: FILL	PANEL HEIGHT: 42"	DATE: February 7, 2018	REVISION #: 01
		DWG #: GS1500CU42R0900NR	G

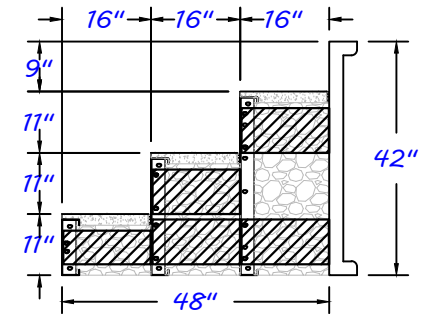
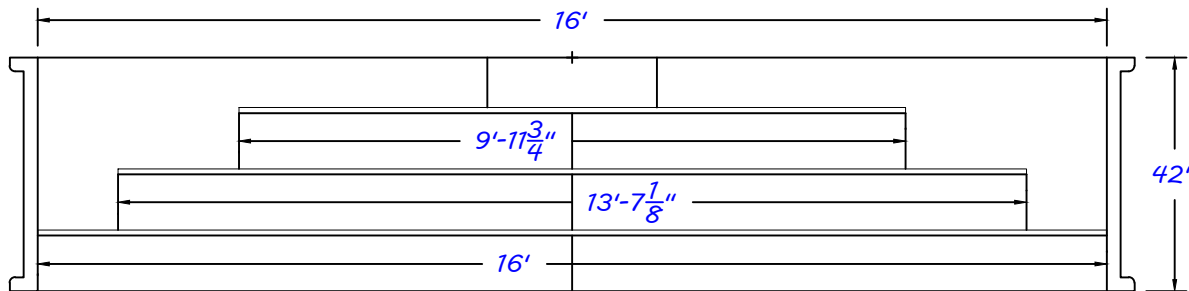
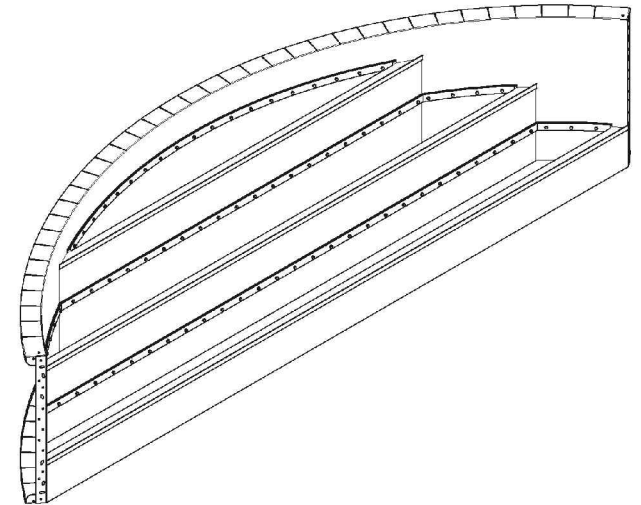
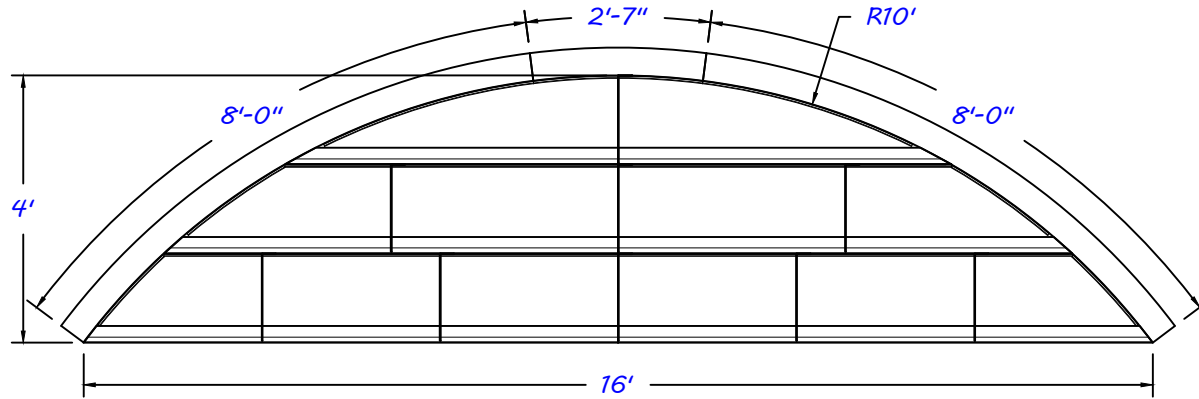


MEGNA
POOLS

THE POOL PEOPLE OF AMERICA, INC.

www.megnapools.com
info@megnapools.com
1-866-580-1115

TOP VIEW



FRONT VIEW

SECTION VIEW

SHAPE: RADIUS	DESCRIPTION: 16'-0" X 10'-0" RADIUS FILL STEP	PANEL TYPE: 5" TOP	DRAWN BY: JDL
STEP TYPE: FILL	PANEL HEIGHT: 42"	DATE: February 7, 2018	REVISION #: 01
		DWG #: GS1600CU42R1000NR	G

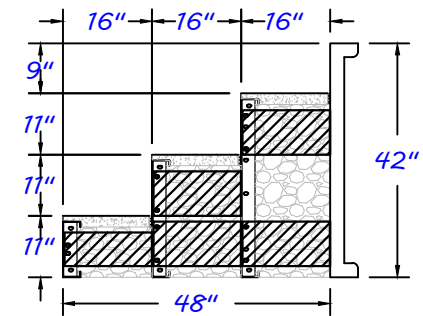
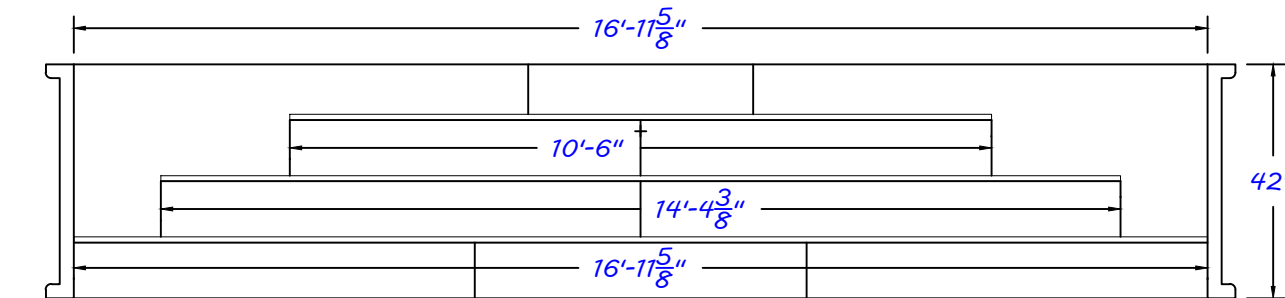
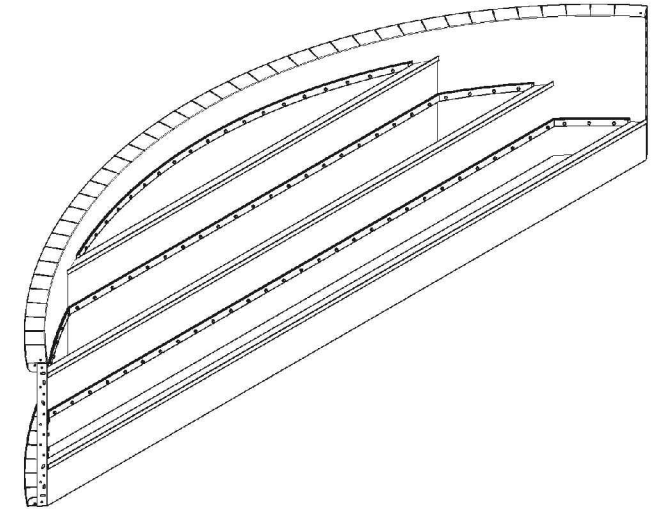
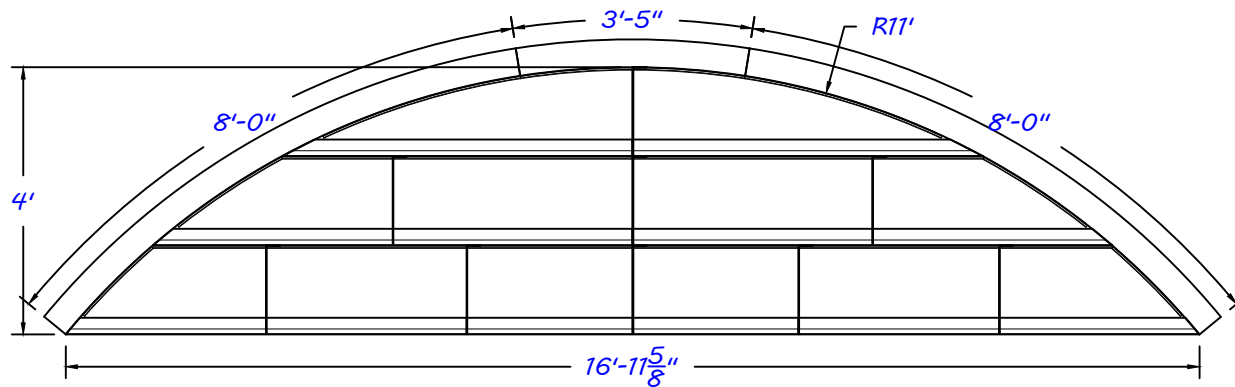


MEGNA
POOLS

MEGNA POOLS IS A DIVISION OF PARSONS CORP.

www.megnapools.com
info@megnapools.com
1-866-580-1115

TOP VIEW



FRONT VIEW

SECTION VIEW

SHAPE: RADIUS	DESCRIPTION: 17'-0" X 11'-0" RADIUS FILL STEP	PANEL TYPE: 5" TOP	DRAWN BY: JDL
STEP TYPE: FILL	PANEL HEIGHT: 42"	DATE: February 7, 2018	REVISION #: 01
		DWG #: GS1700CU42R1100NR	G

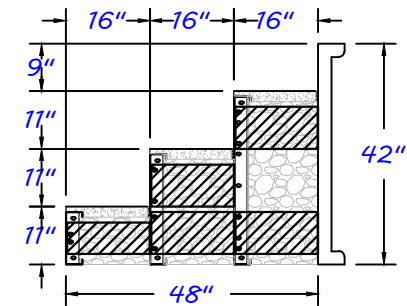
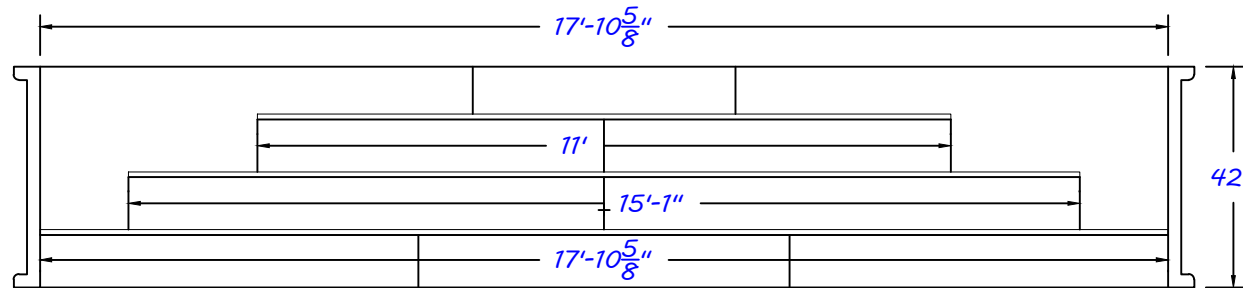
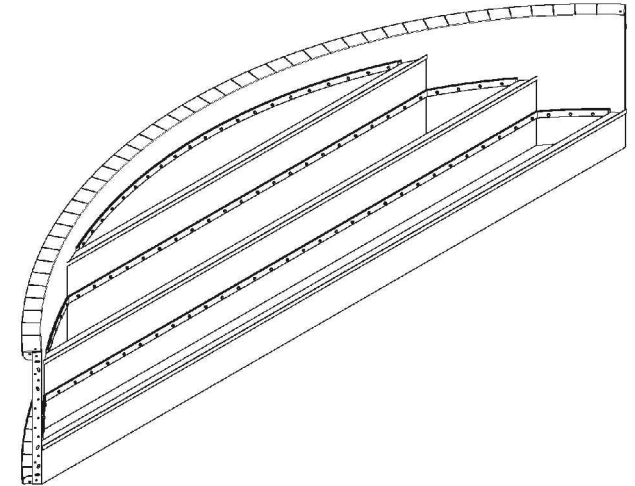
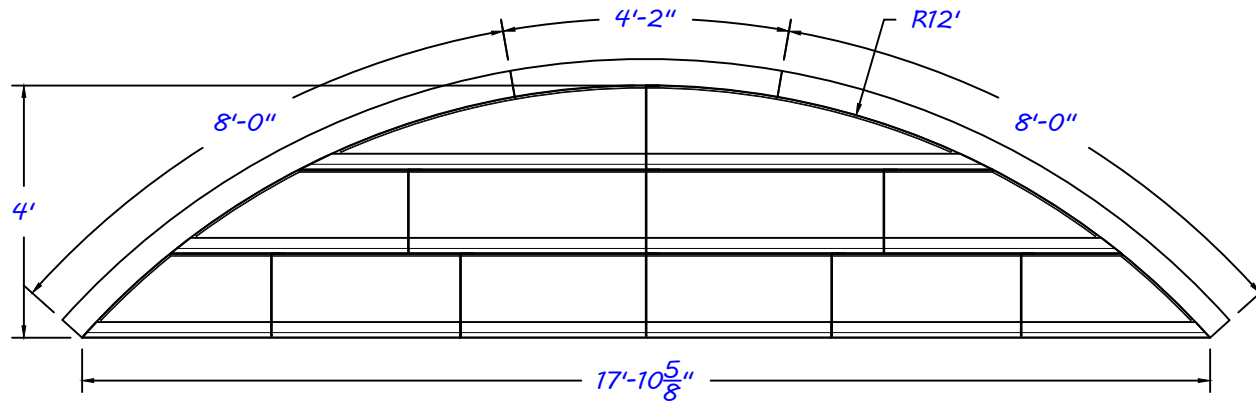


MEGNA
POOLS

MEGNA POOLS IS A DIVISION OF PARSONS CORP.

www.megnapools.com
info@megnapools.com
1-866-580-1115

TOP VIEW



FRONT VIEW

SECTION VIEW

SHAPE: RADIUS	DESCRIPTION: 17'-11" X 12'-0" RADIUS FILL STEP	PANEL TYPE: 5" TOP	DRAWN BY: JDL
STEP TYPE: FILL	PANEL HEIGHT: 42"	DATE: February 7, 2018	REVISION #: 01
		DWG #: GS1800CU42R1200NR	G