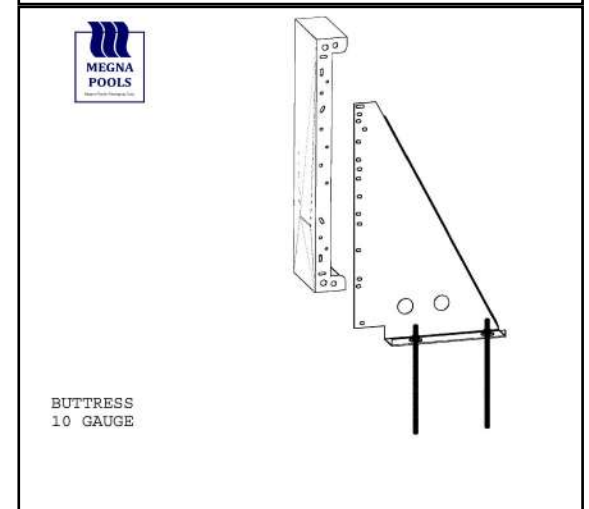
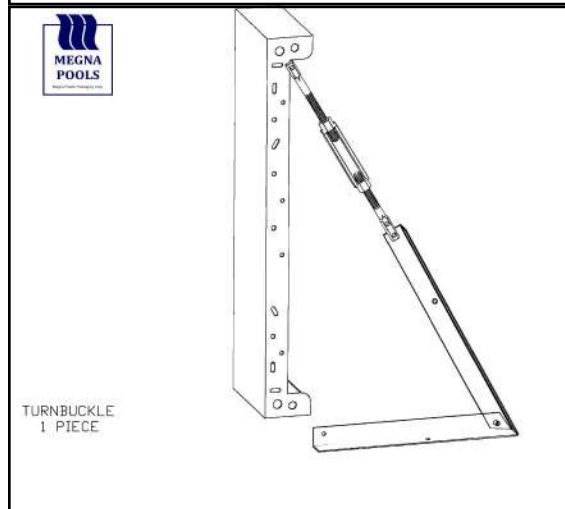
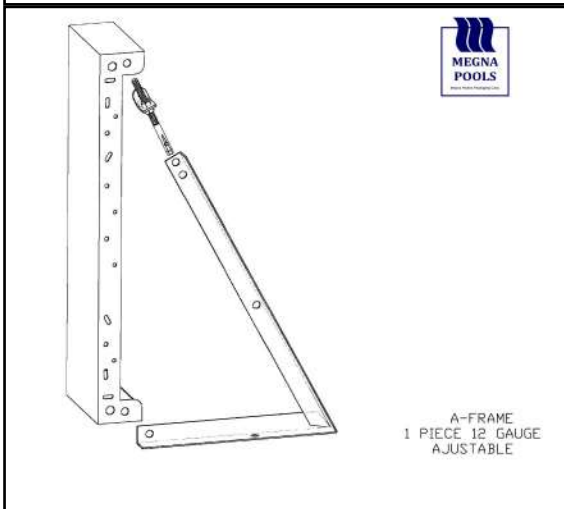
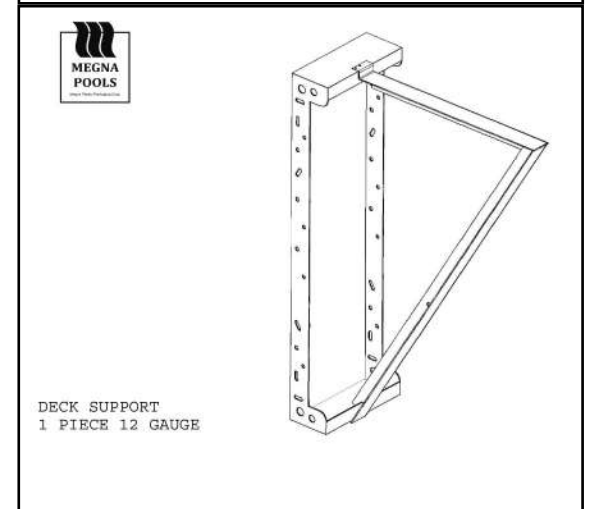
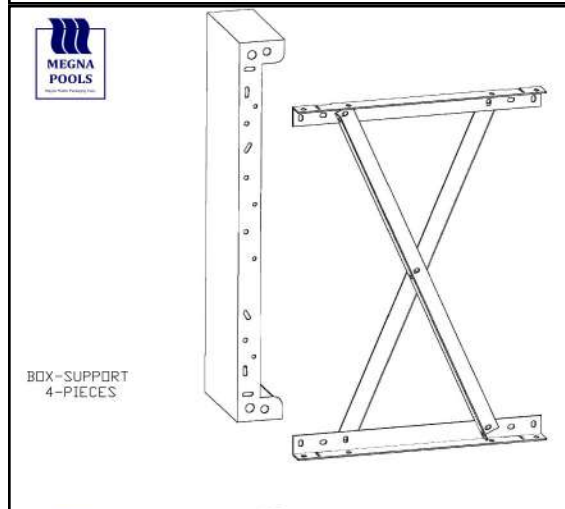
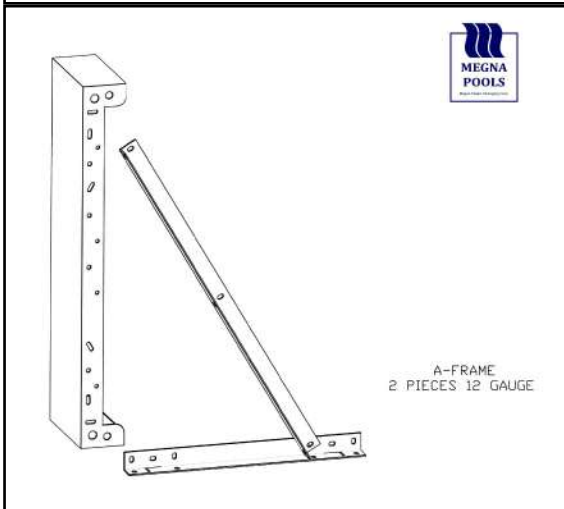
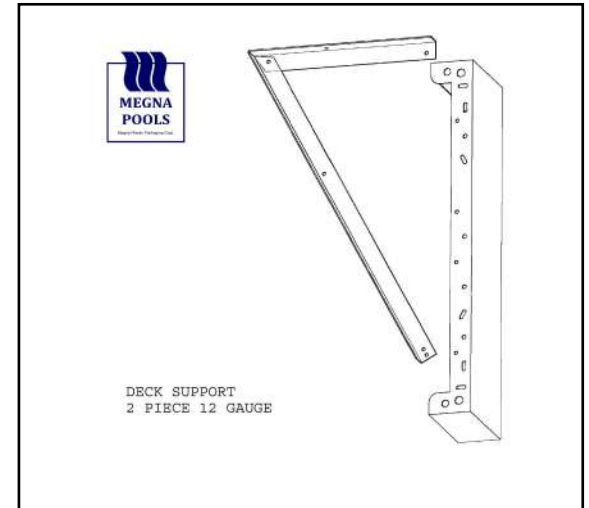
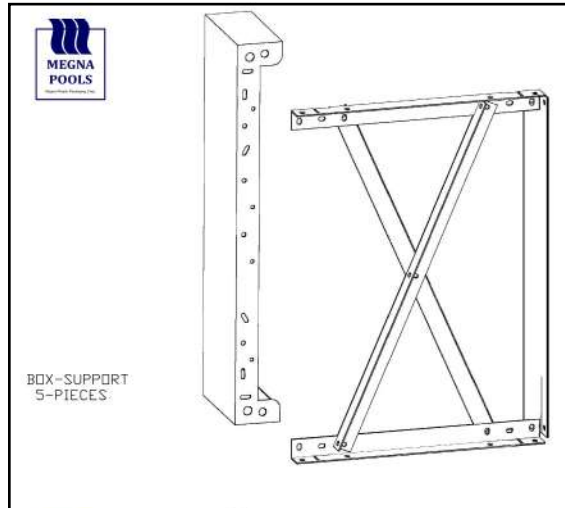
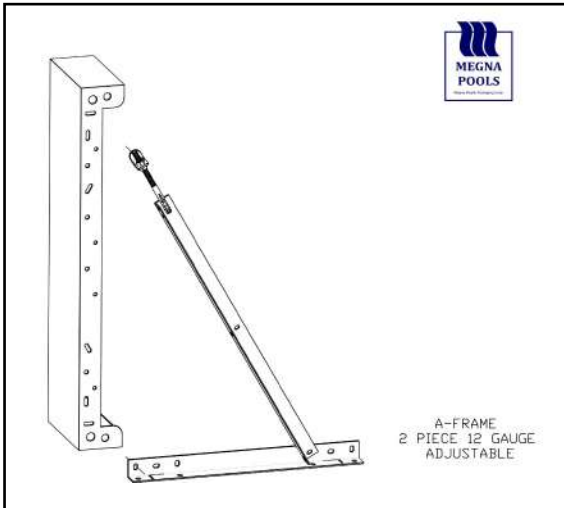




Steel Wall Support Specifications

MEGNA POOLS - Inground Steel Wall Bracing Systems



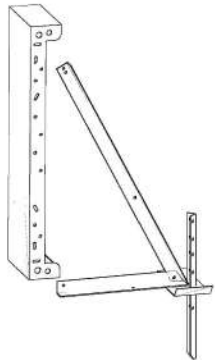
MEGNA POOLS - Inground Steel Wall Bracing Systems



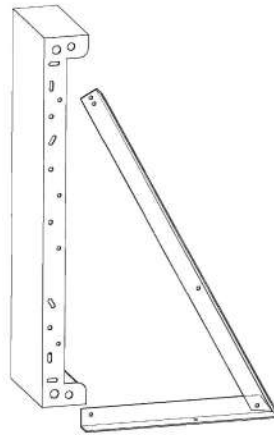
OUTSIDE CORNER
90 DEG.



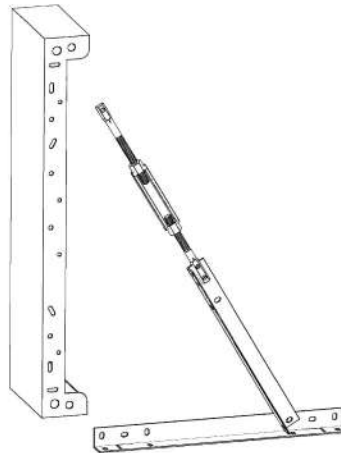
OUTSIDE CORNER
45 DEG.



GROUND STAKE
BEARING PLATE



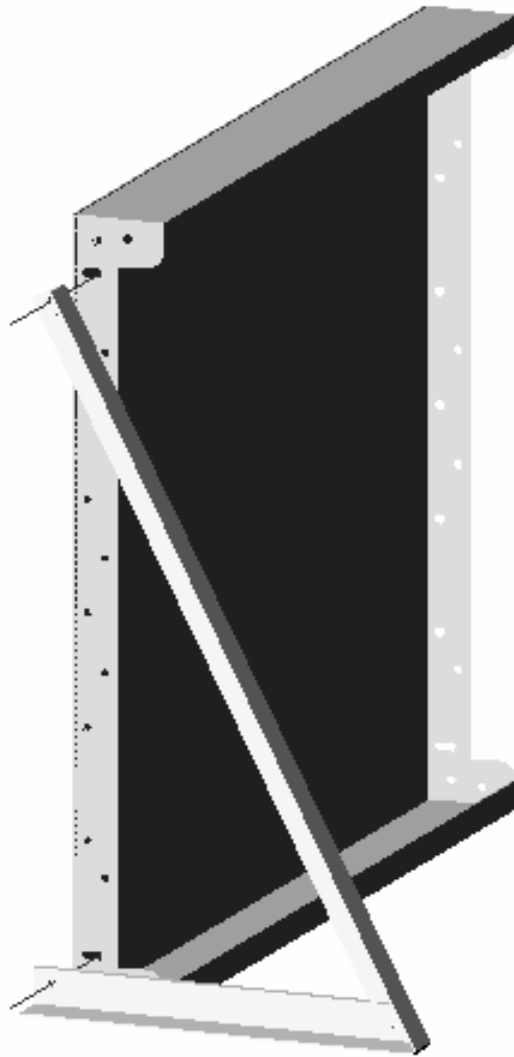
A-FRAME
1 PIECE 12 GAUGE

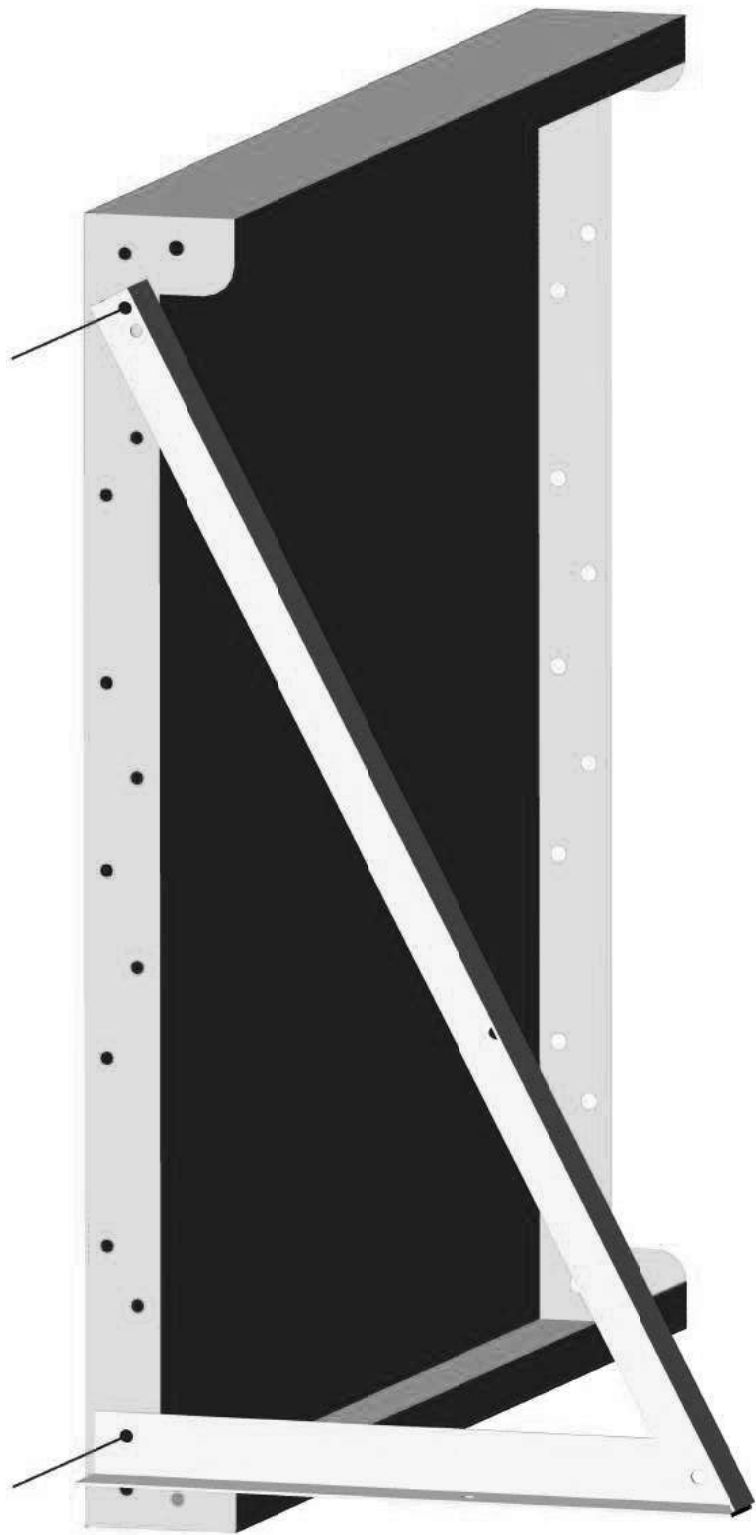


TURNBUCKLE
2 PIECE

A-FRAME

1 PIECE 12 GAUGE

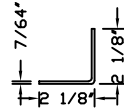




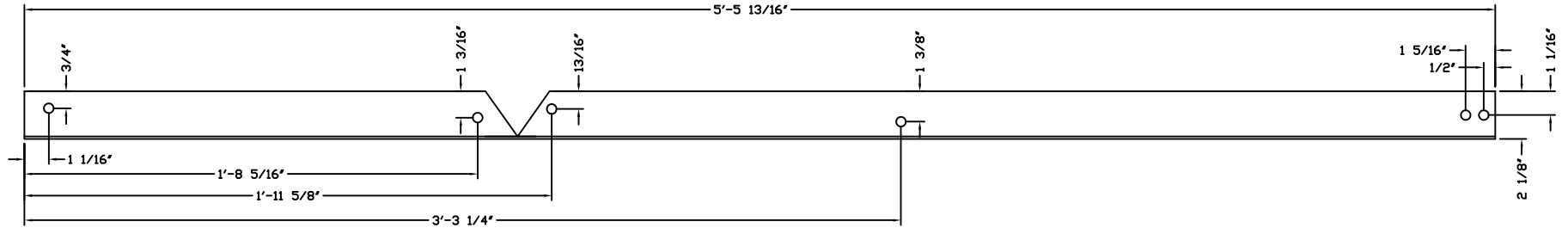


A-FRAME 1-PIECE 12 GA.

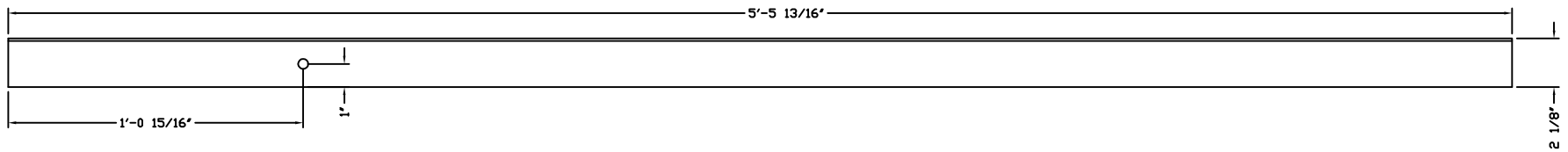
END VIEW



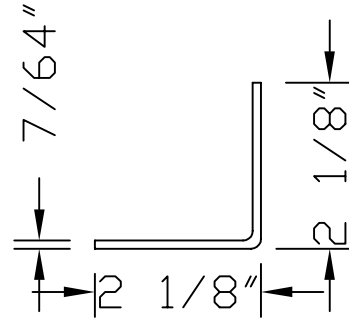
FRONT VIEW



TOP VIEW

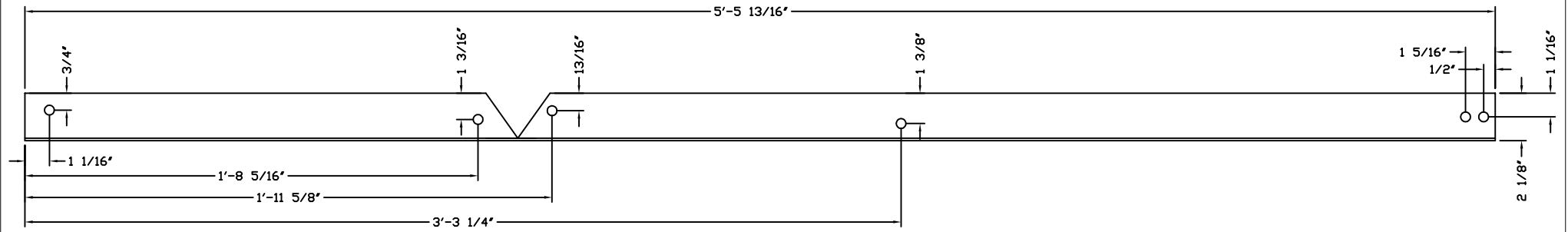


END VIEW

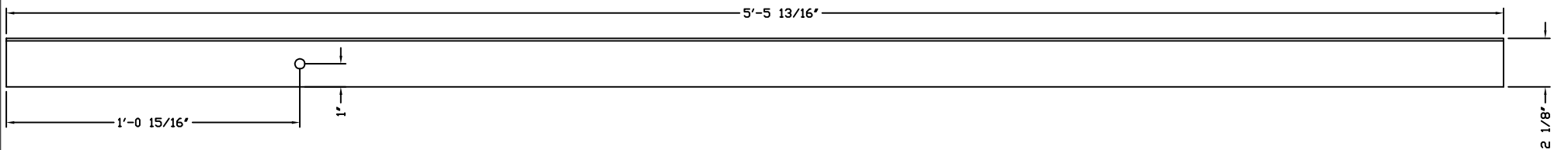


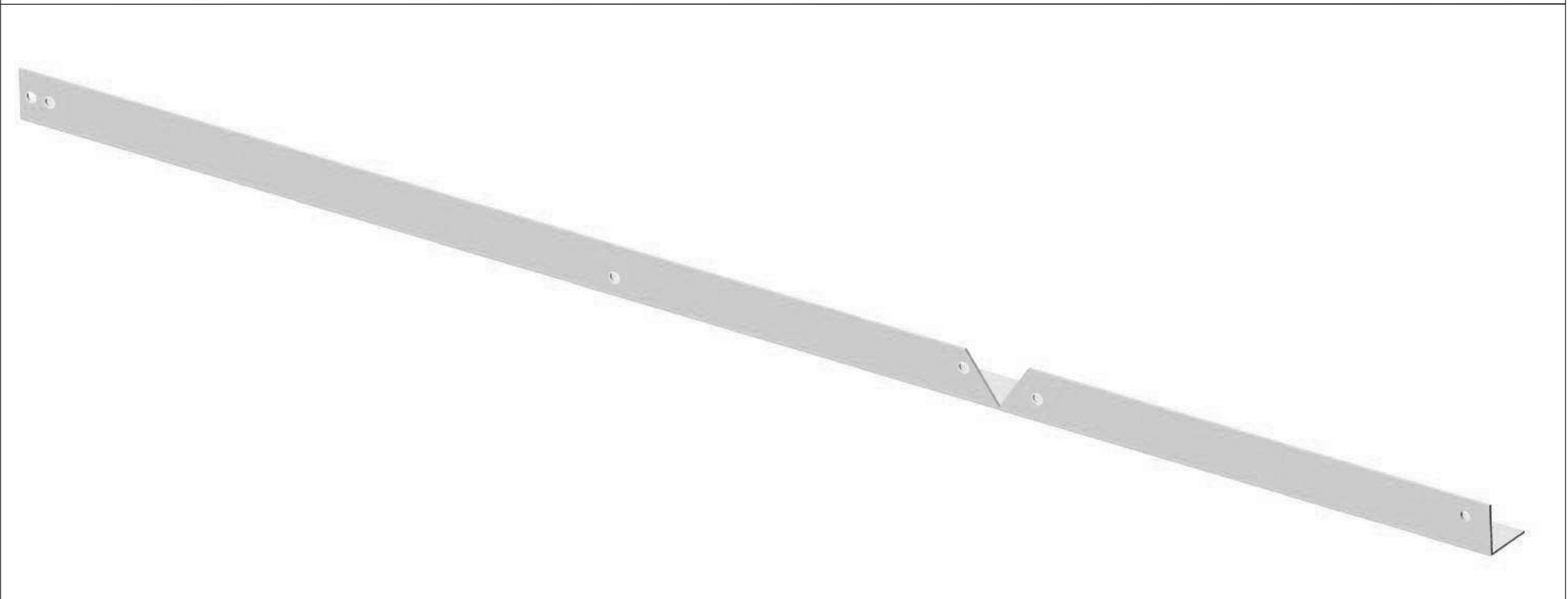
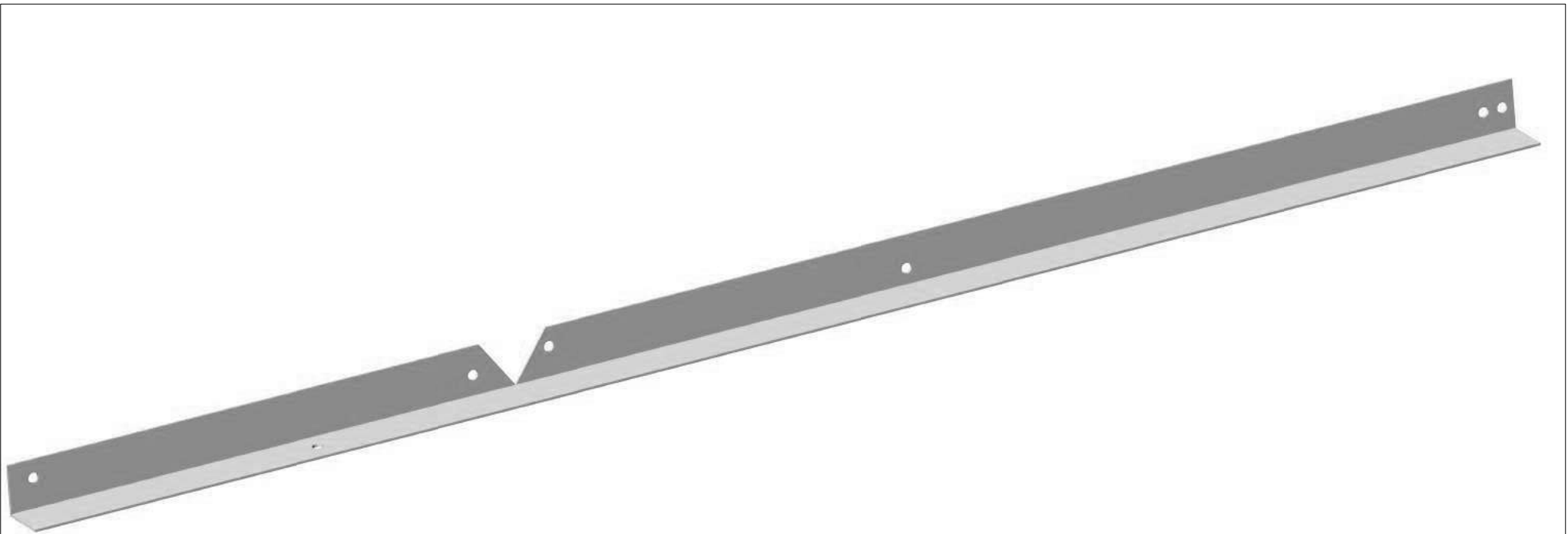
$\pm 1/8$

FRONT VIEW

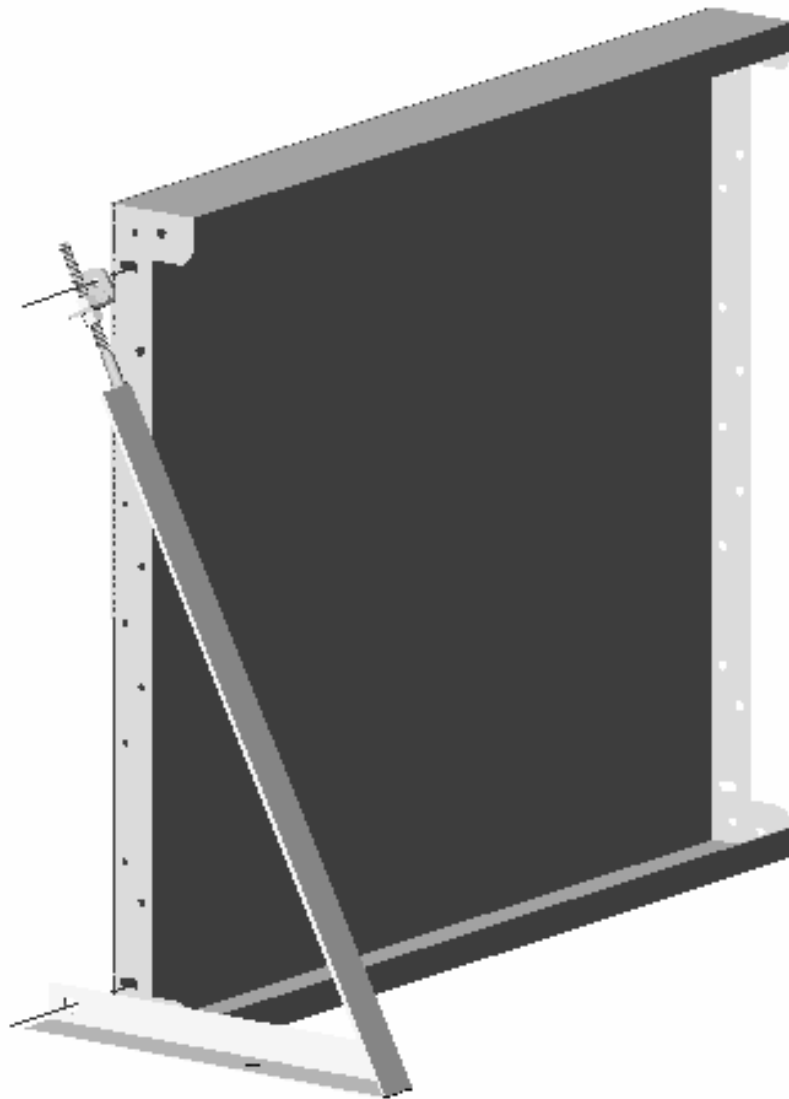


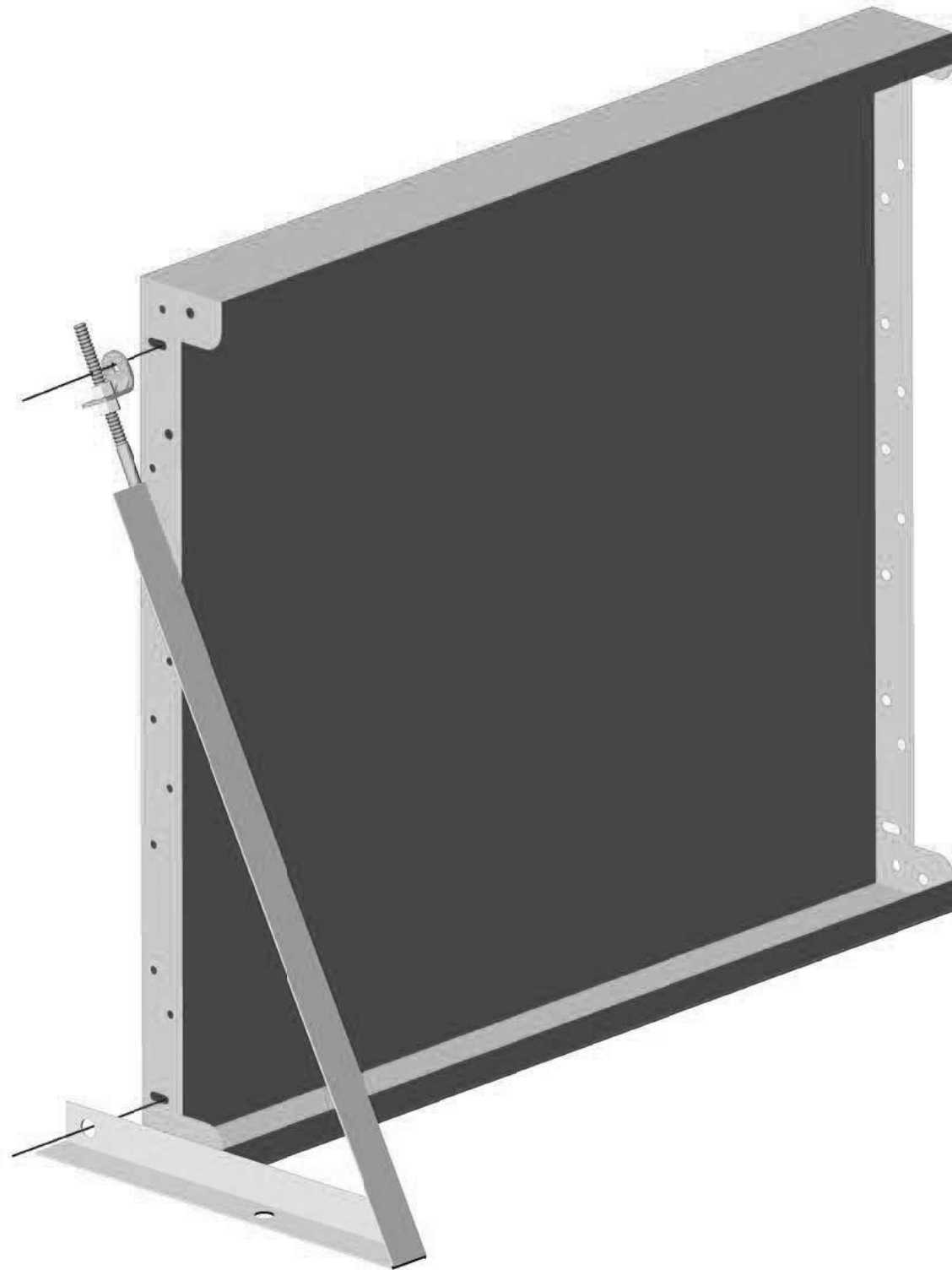
TOP VIEW





**A-FRAME
1 PIECE 12 GAUGE
ADJUSTABLE**







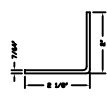
MEGNA
POOLS

Magna Plastic Packaging Corp

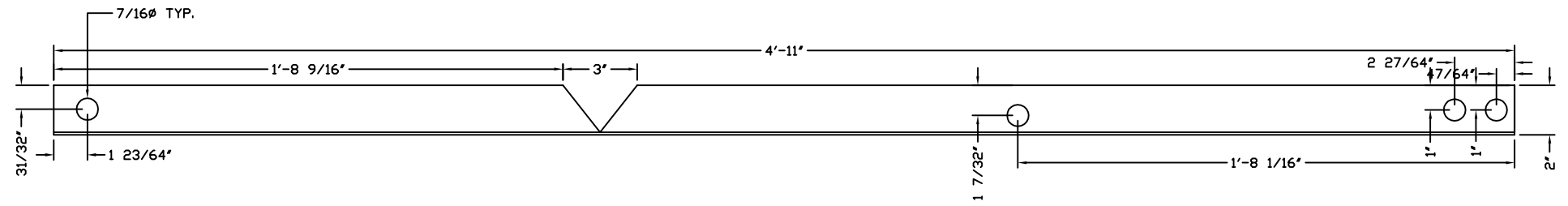
A-FRAME

1-PIECE ADJ. - 12 GA.

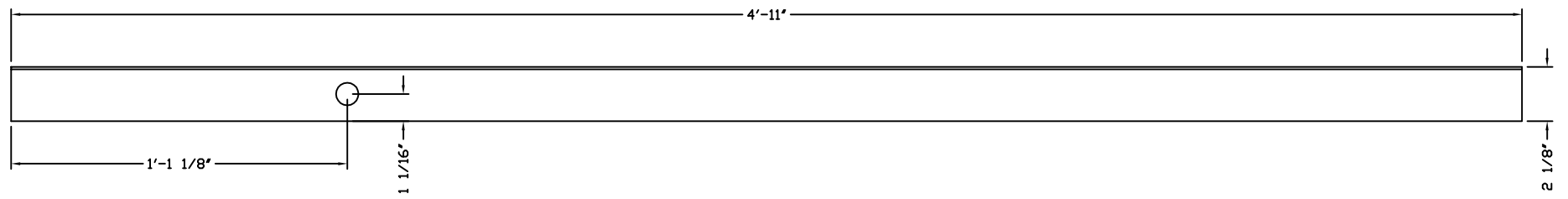
END VIEW



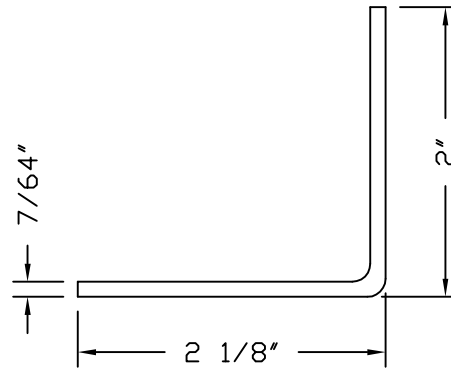
FRONT VIEW



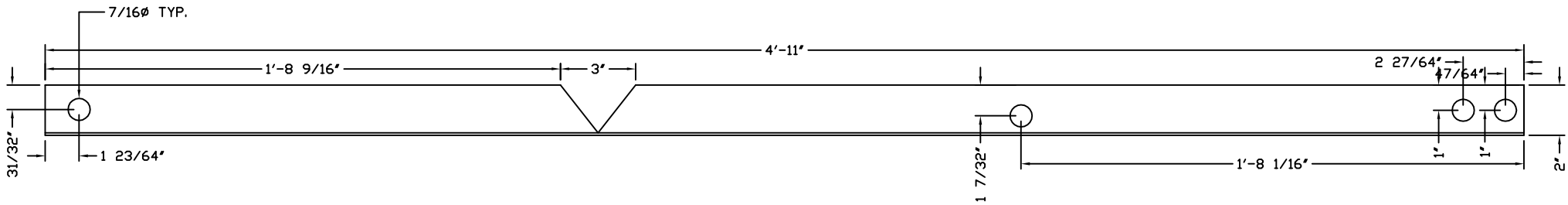
TOP VIEW



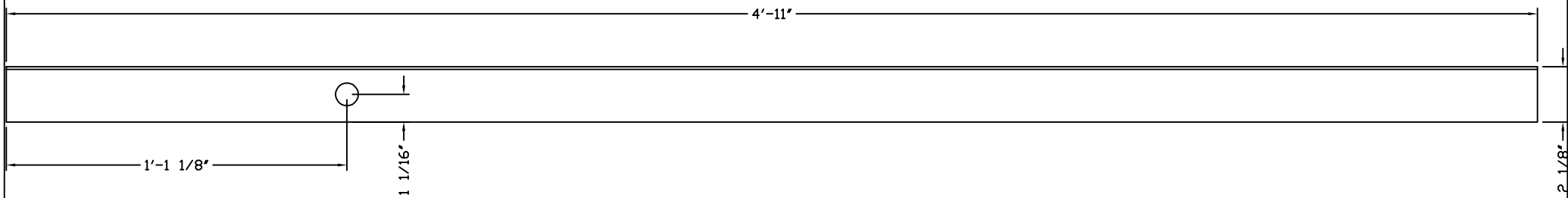
END VIEW

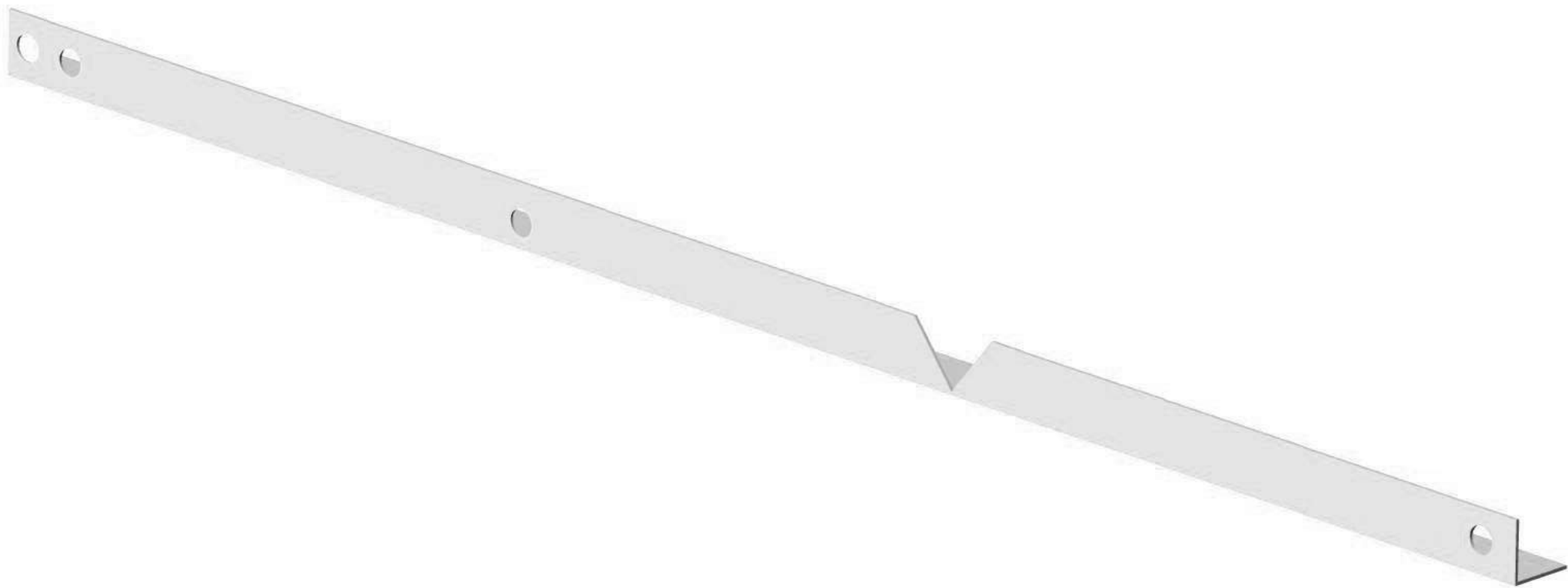
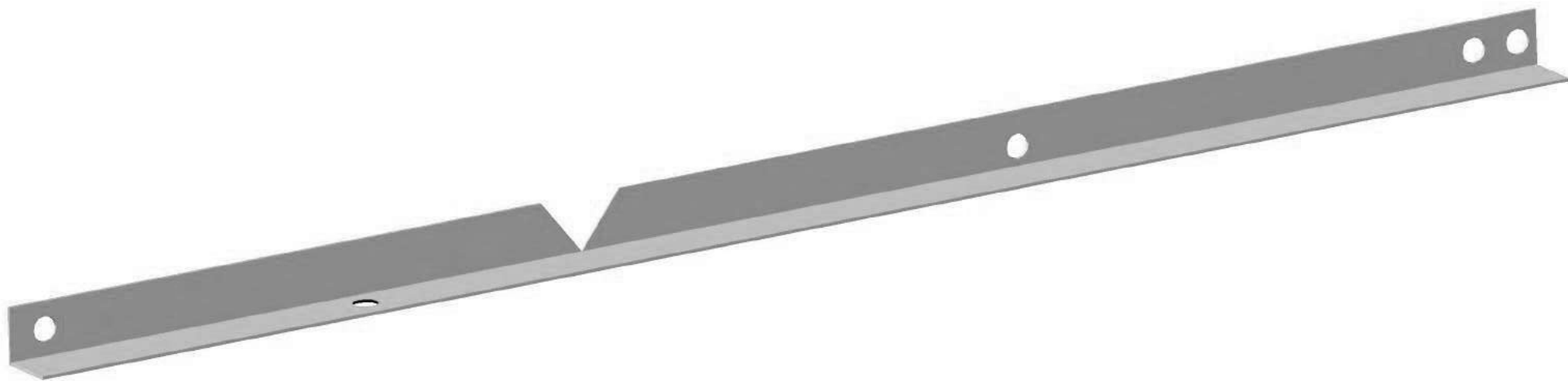


FRONT VIEW



TOP VIEW





A-FRAME
1-PIECE ADJ.-12 GA.
HARDWARE

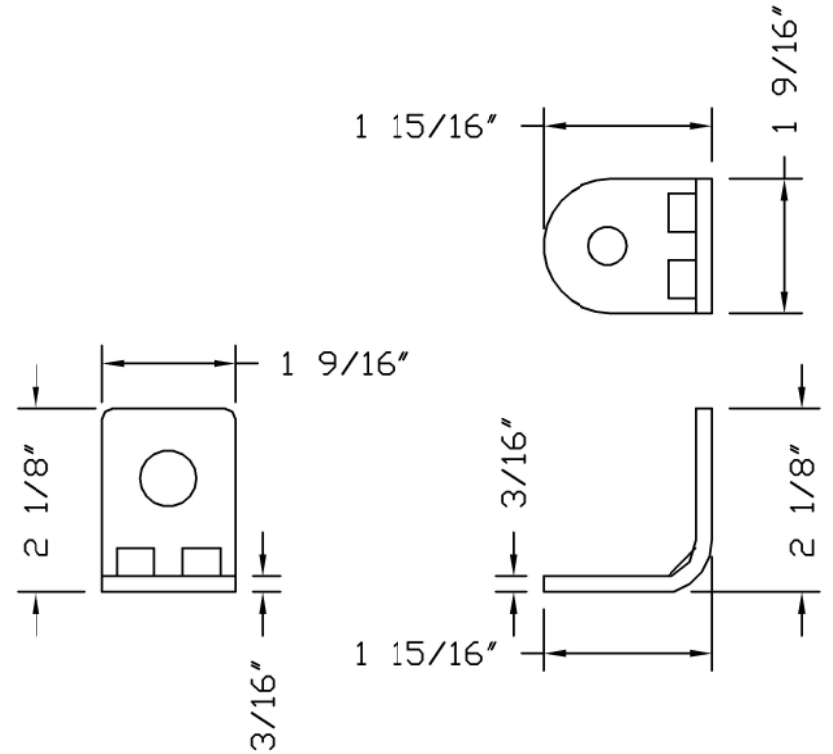
2 NUTS

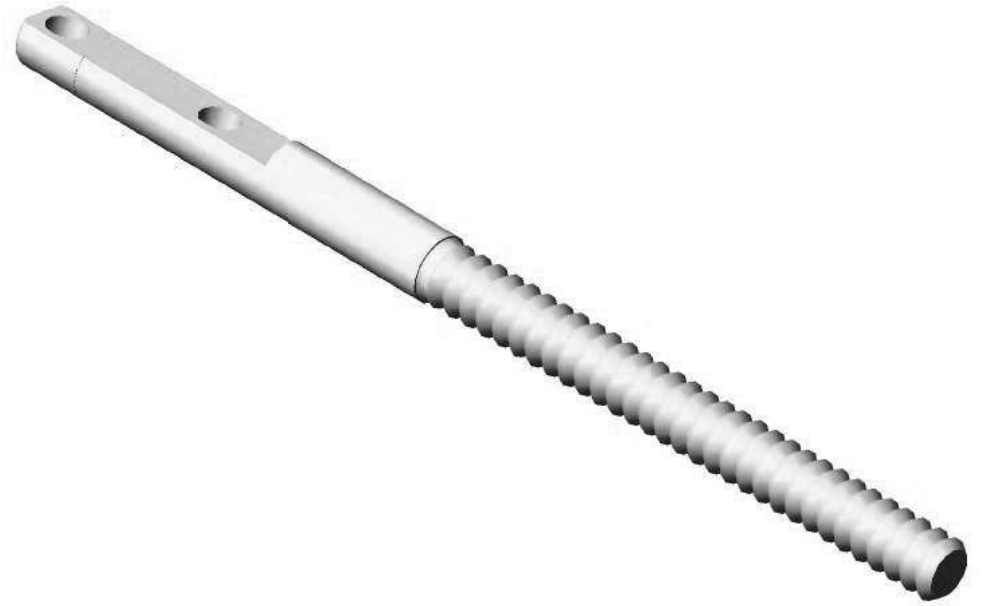
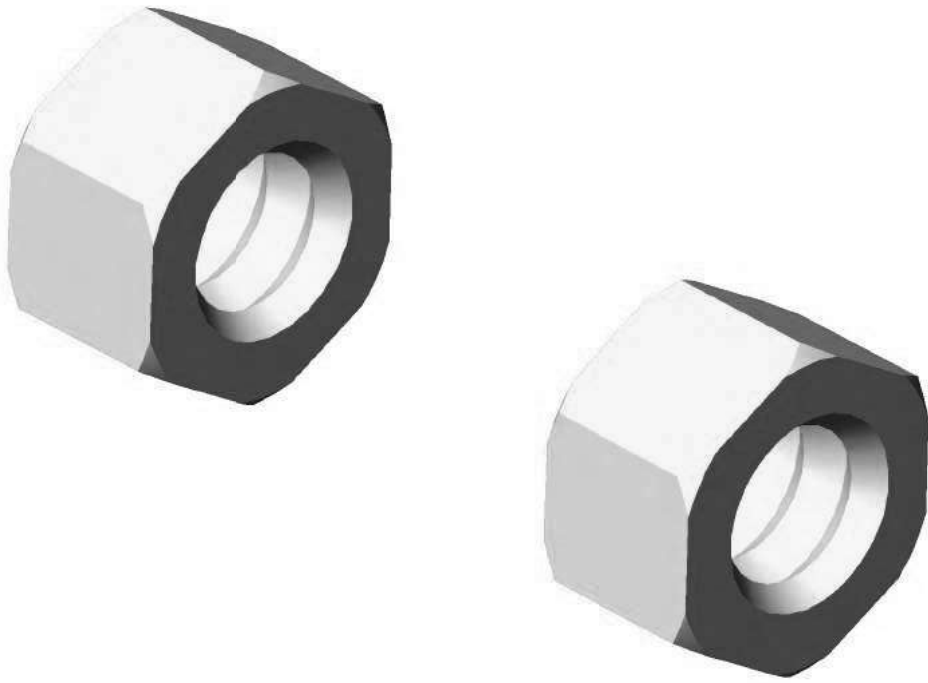


1 BOLT

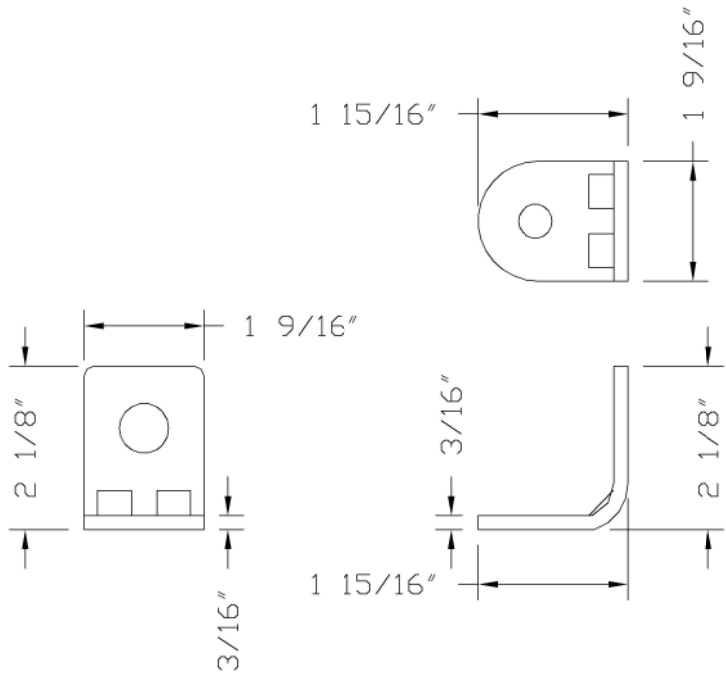


CONNECTING PLATE

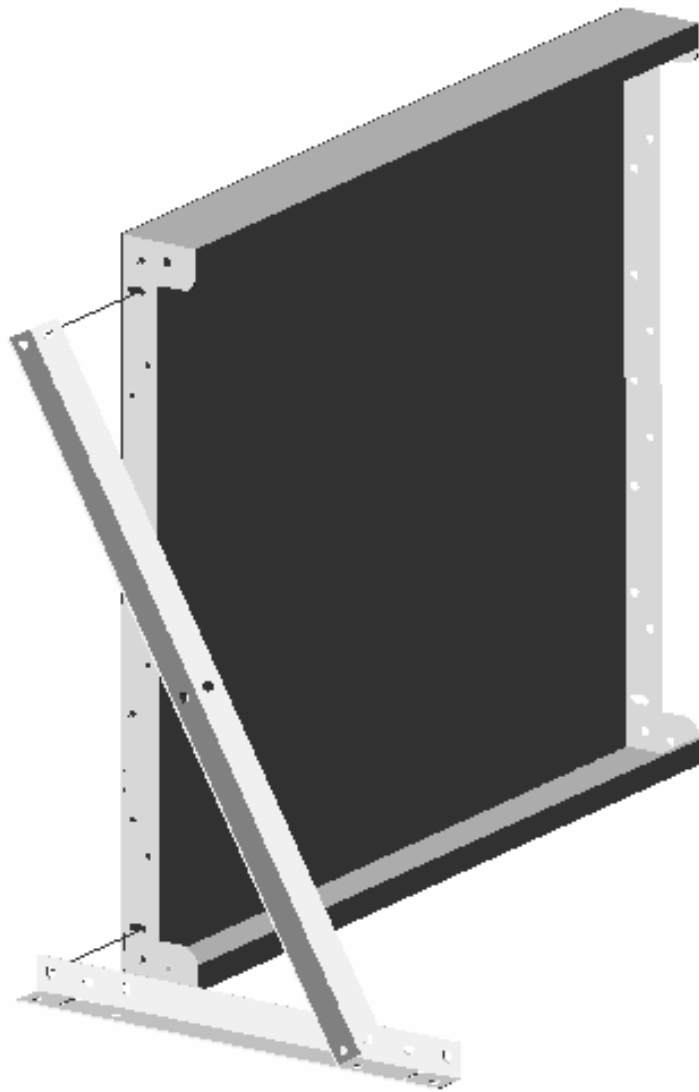


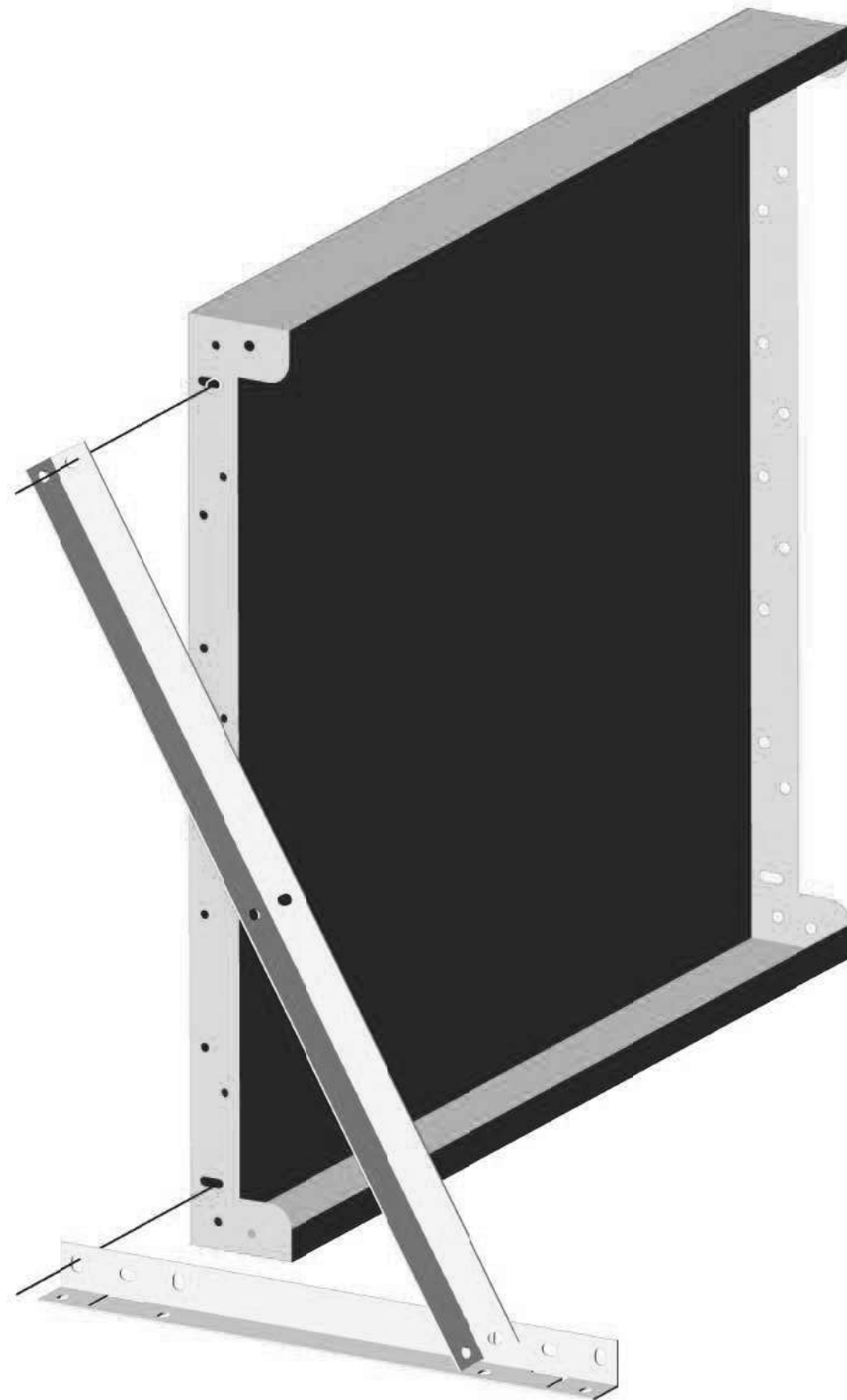


CONNECTING PLATE



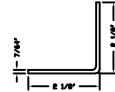
A-FRAME 2 PIECE 12 GAUGE



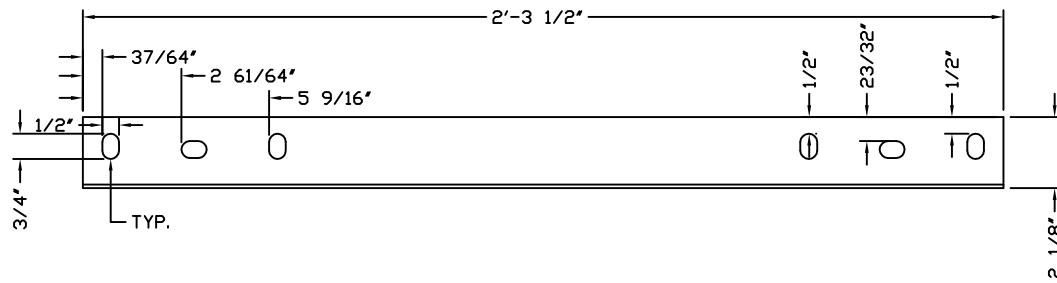


A-FRAME
2-PIECE 12 GA.
SHORT PIECE

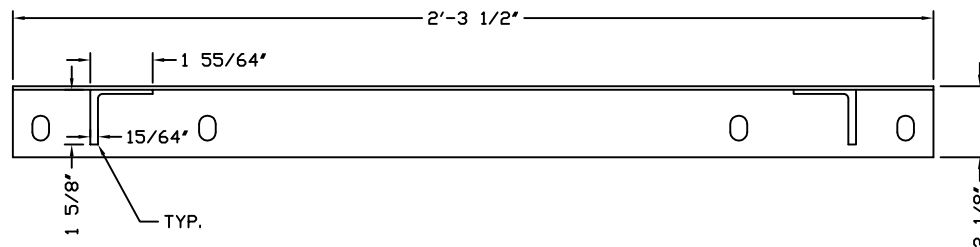
END VIEW



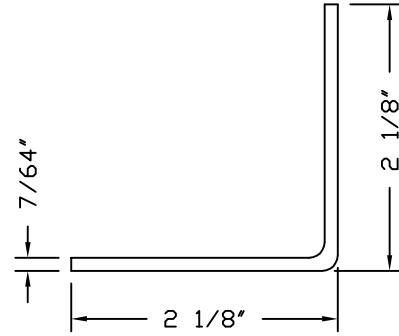
FRONT VIEW



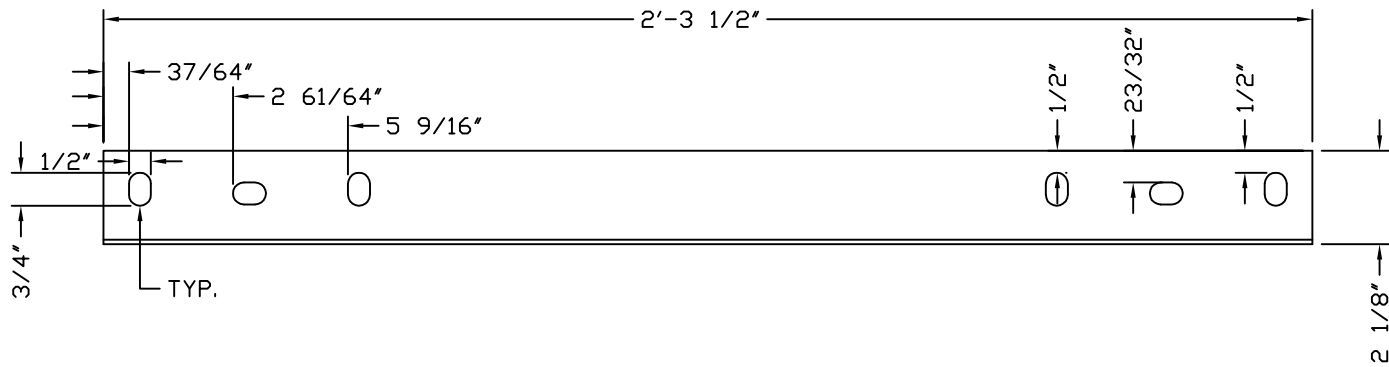
TOP VIEW



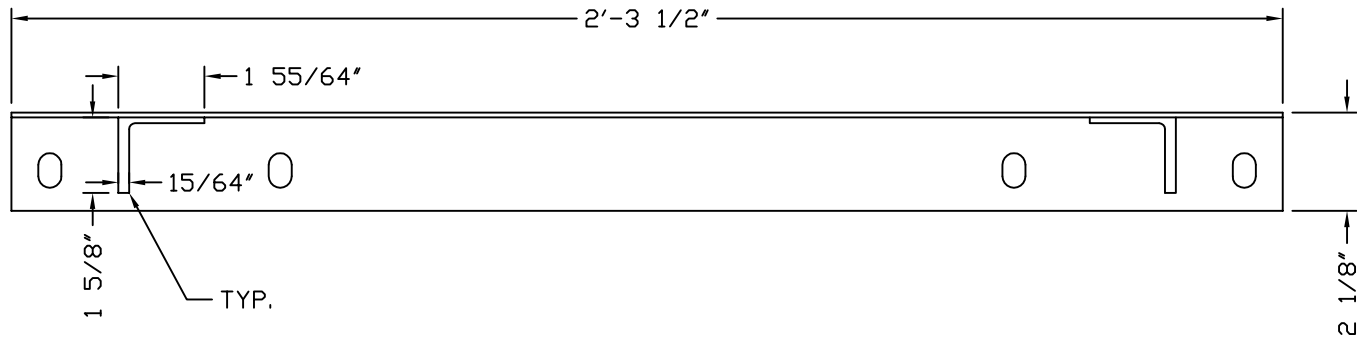
END VIEW

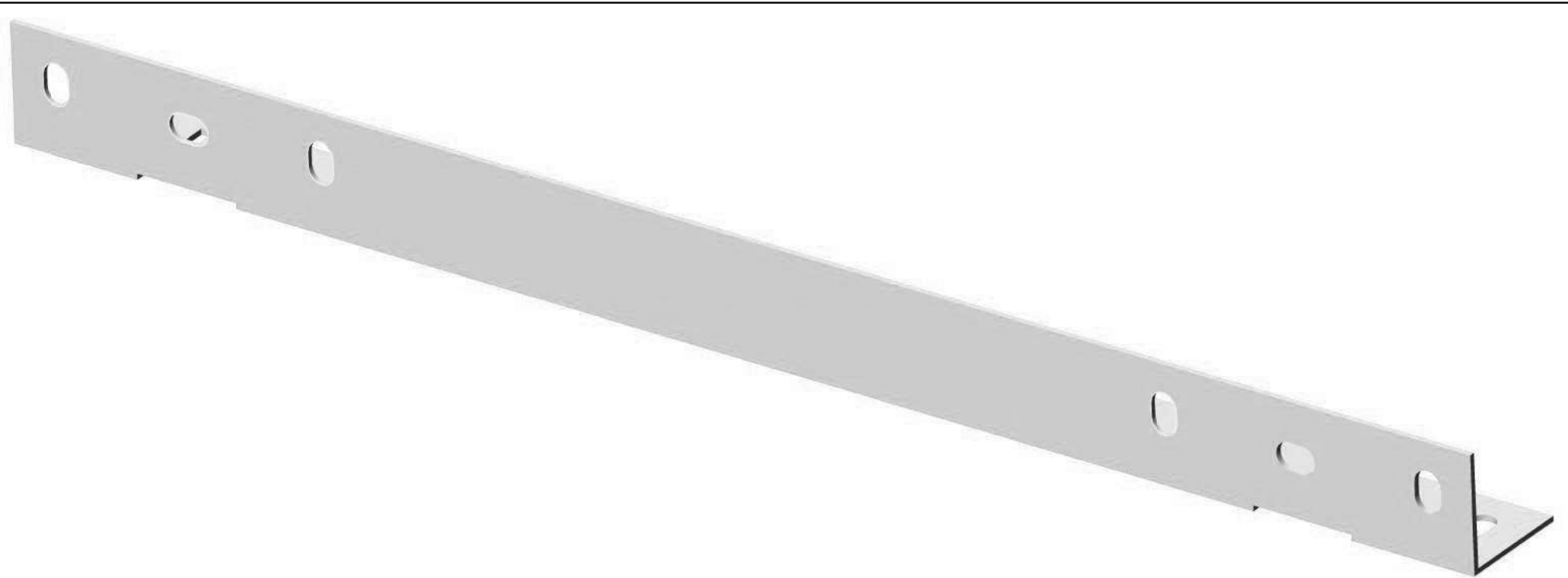
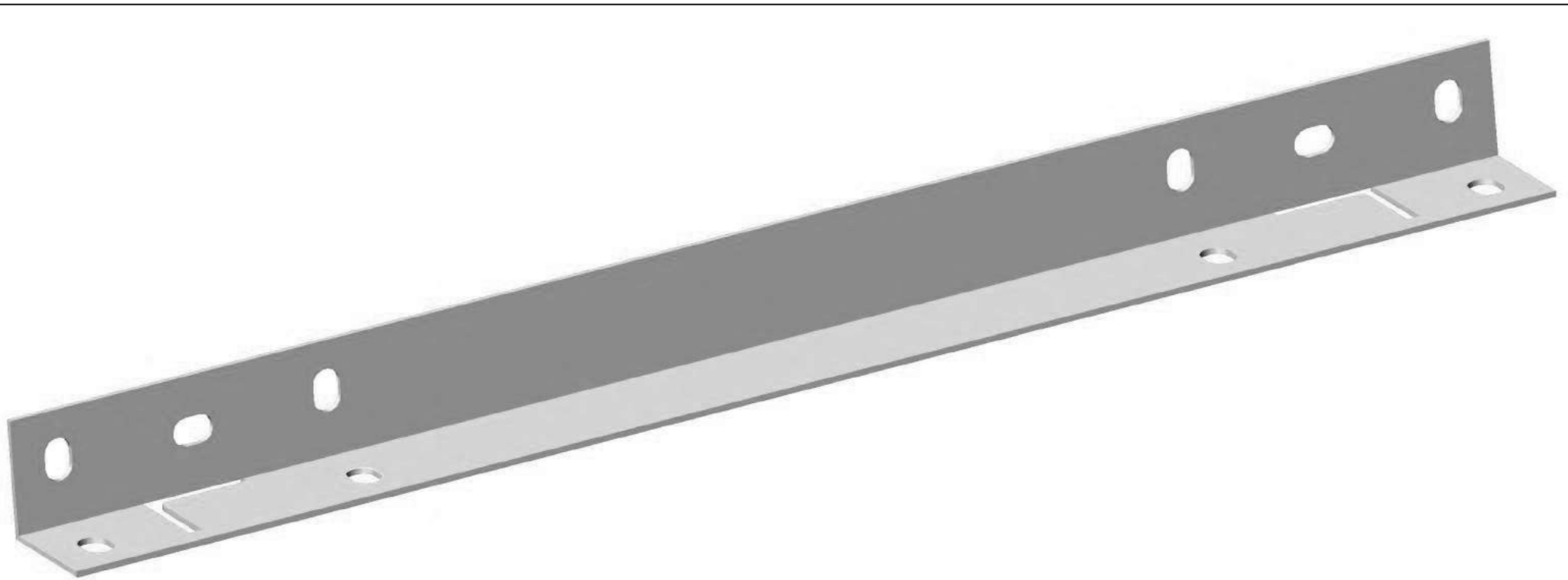


FRONT VIEW



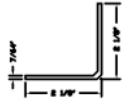
TOP VIEW



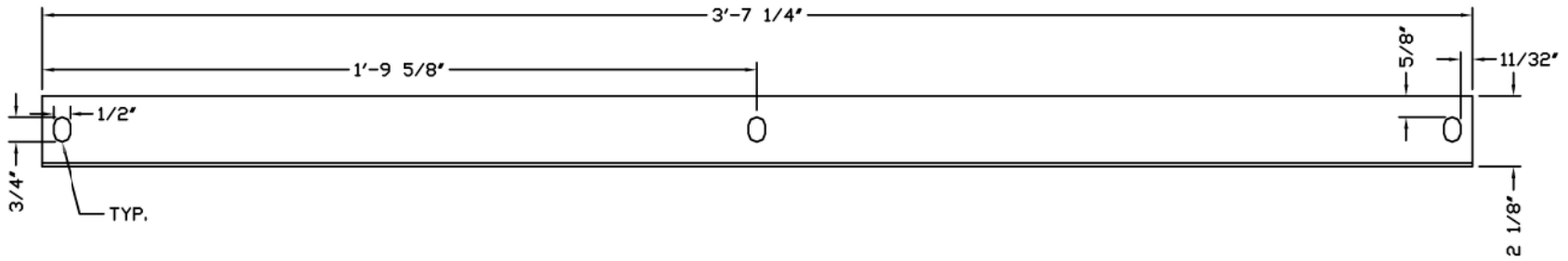


A-FRAME
2-PIECE 12 GA.
LONG PIECE

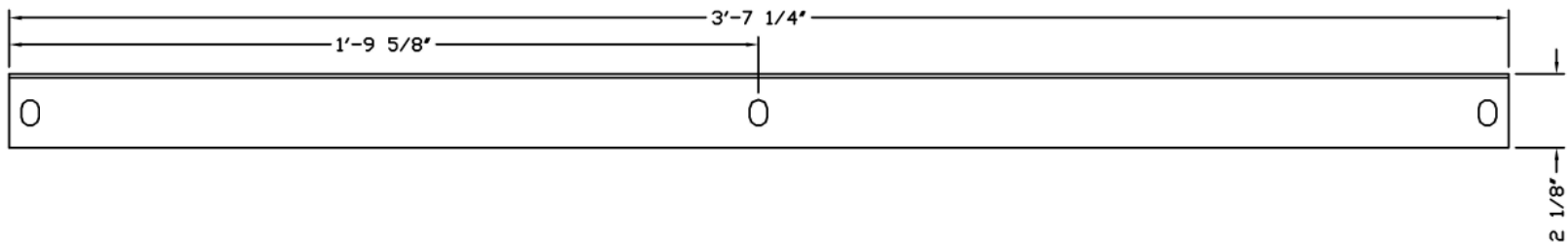
END VIEW



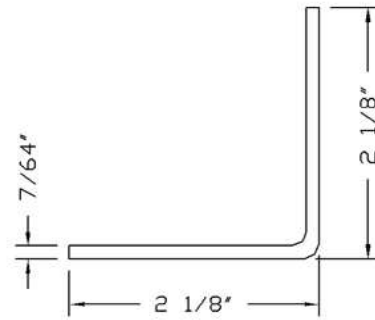
FRONT VIEW



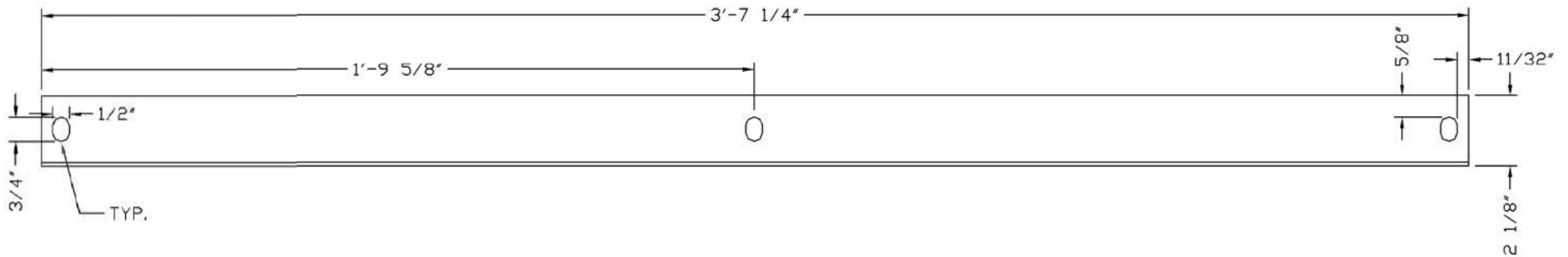
TOP VIEW



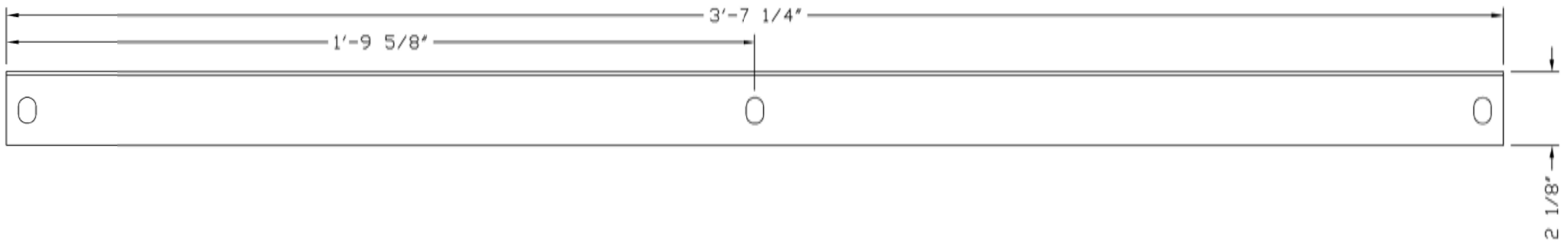
END VIEW

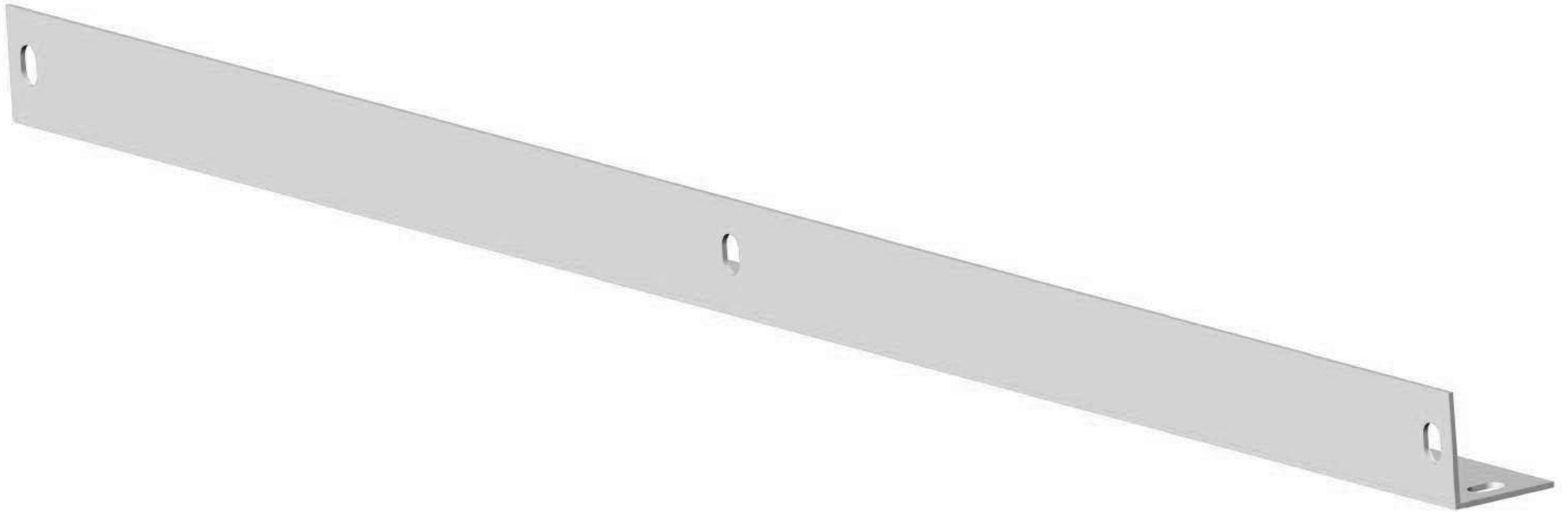
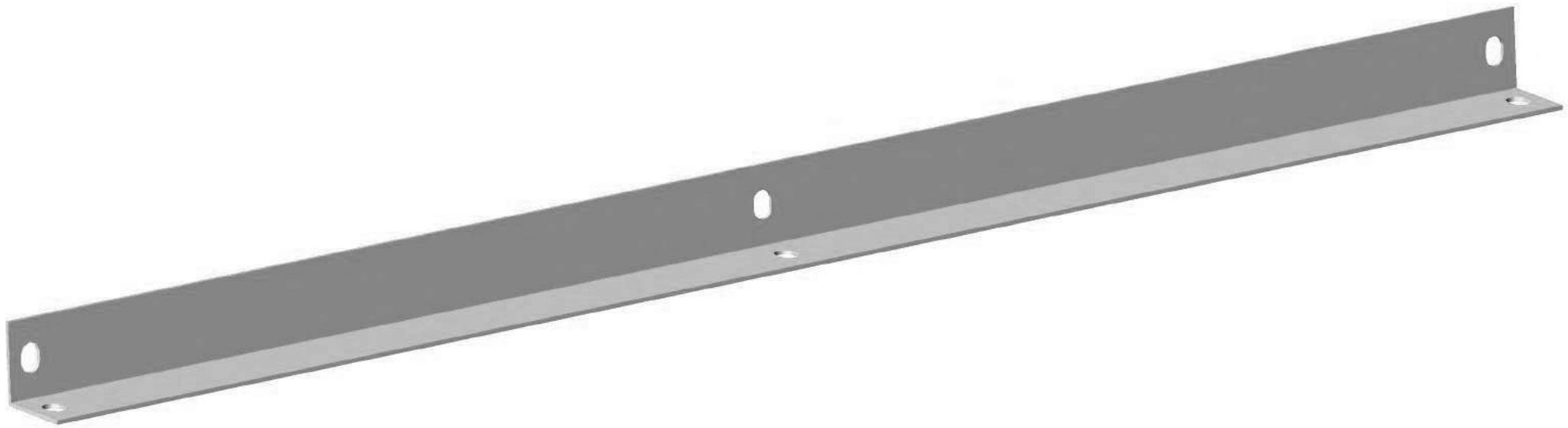


FRONT VIEW

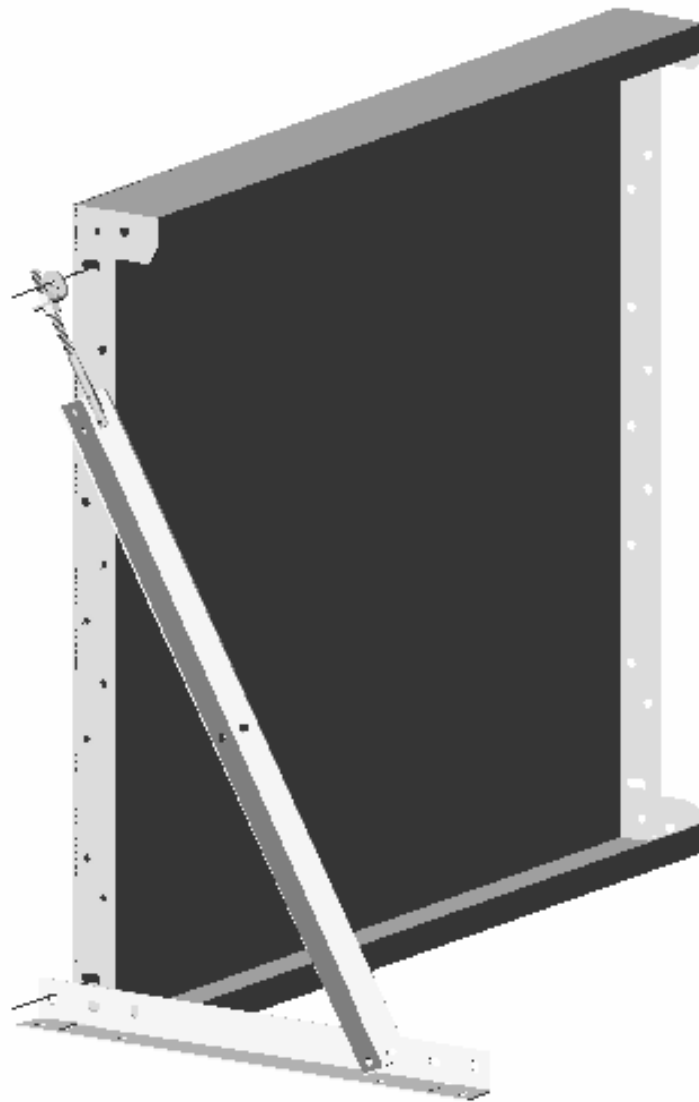


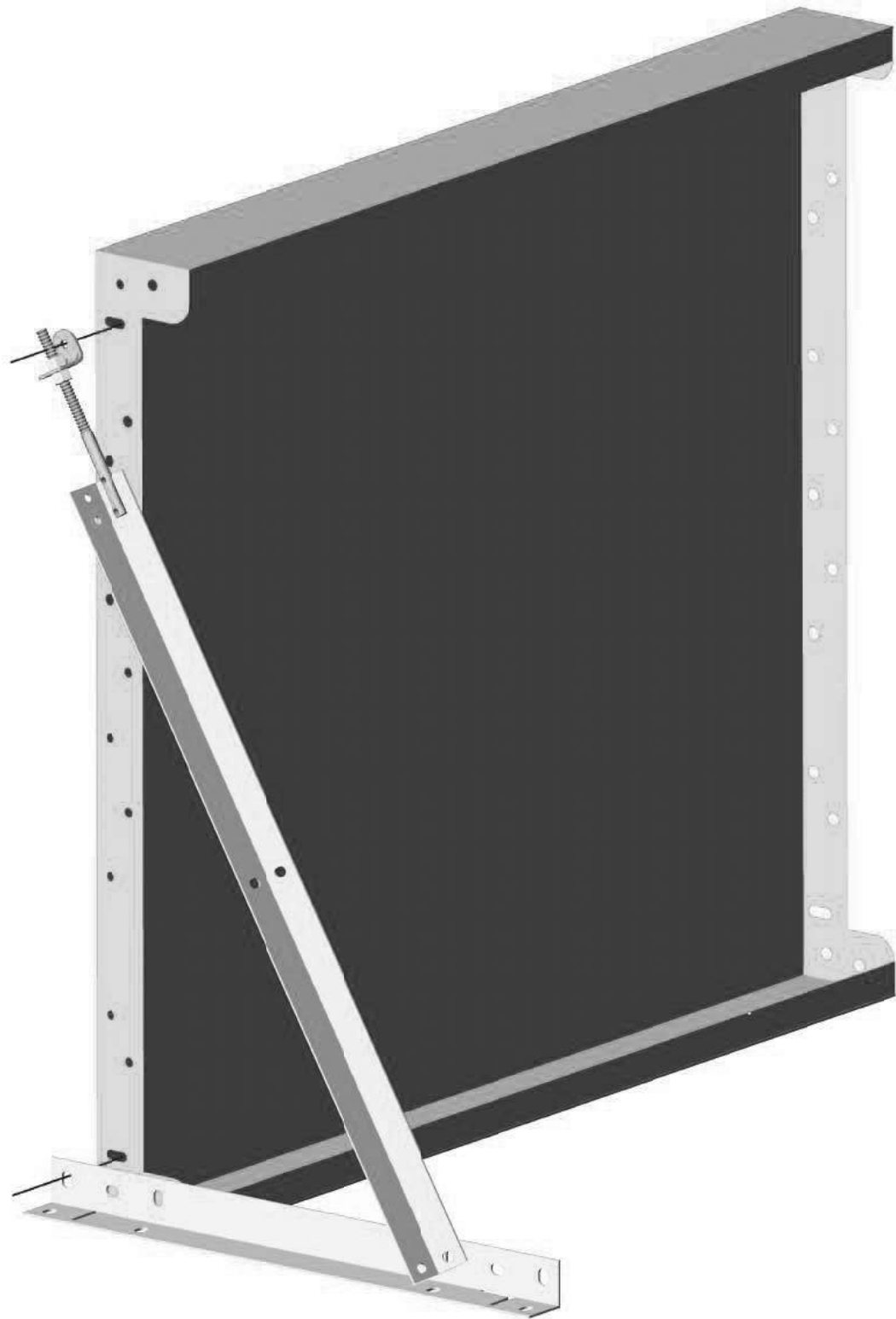
TOP VIEW





**A-FRAME
2 PIECE 12 GAUGE
ADJUSTABLE**





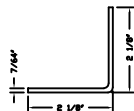


MEGNA
POOLS

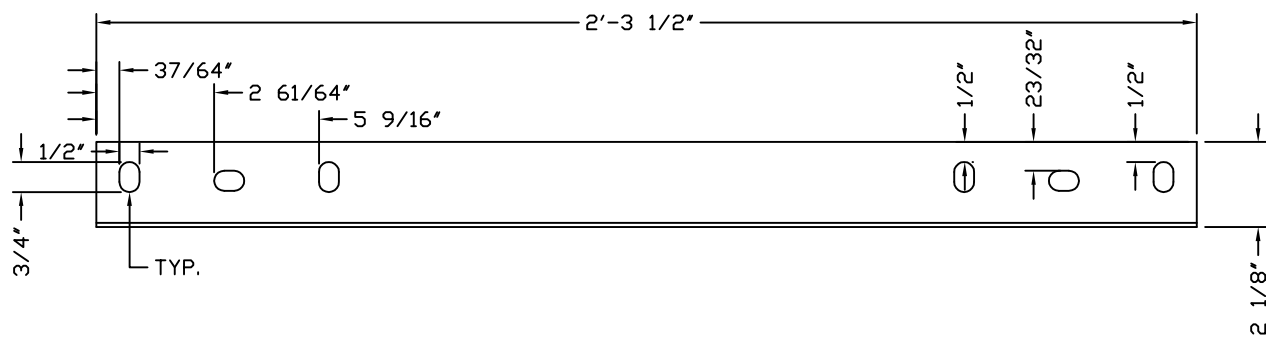
Magna Plastic Packaging Corp

A-FRAME
2-PIECE ADJ.-12 GA.
SHORT PIECE

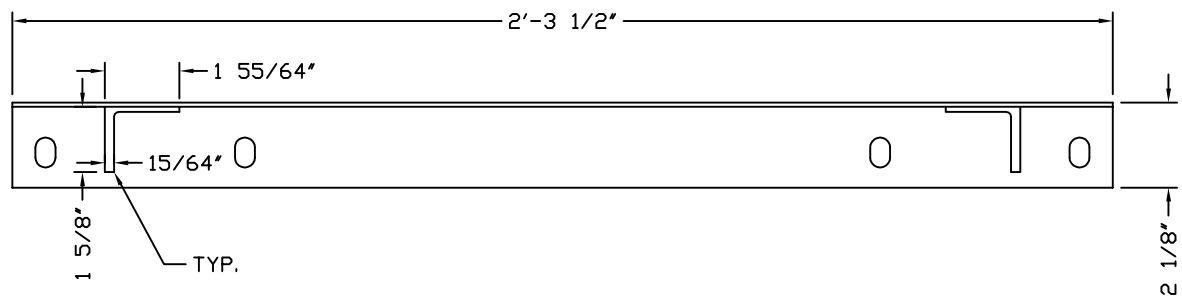
END VIEW



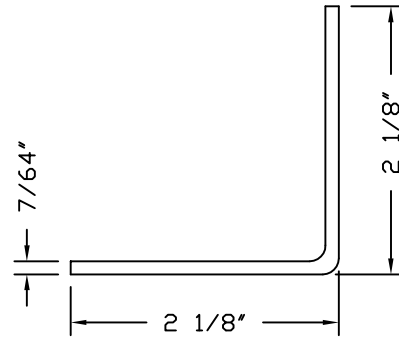
FRONT VIEW



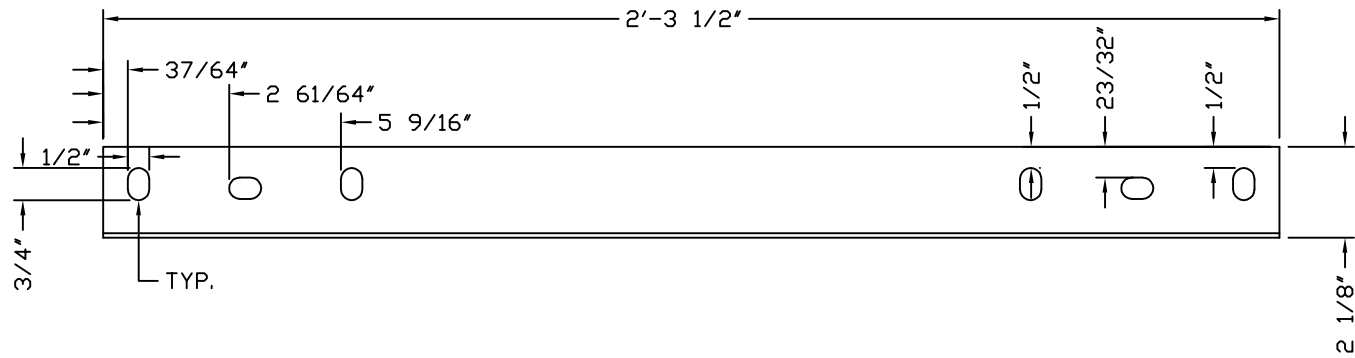
TOP VIEW



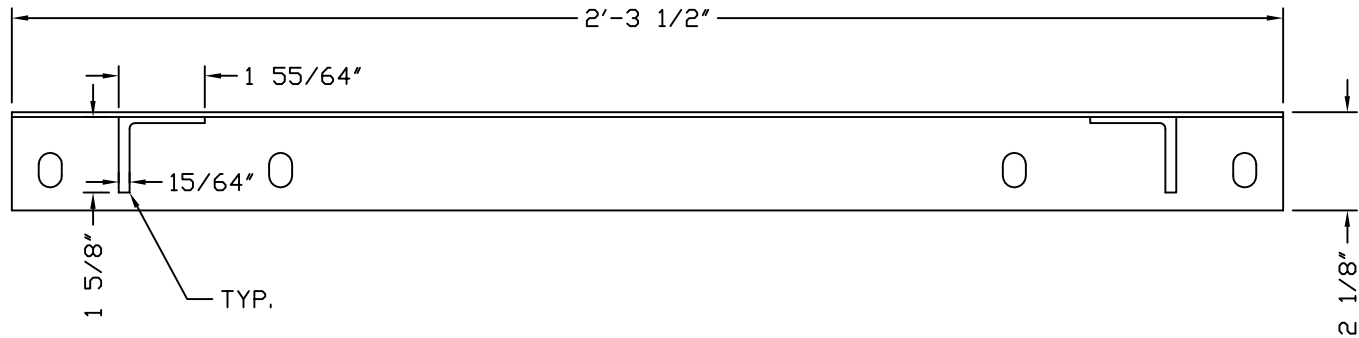
END VIEW

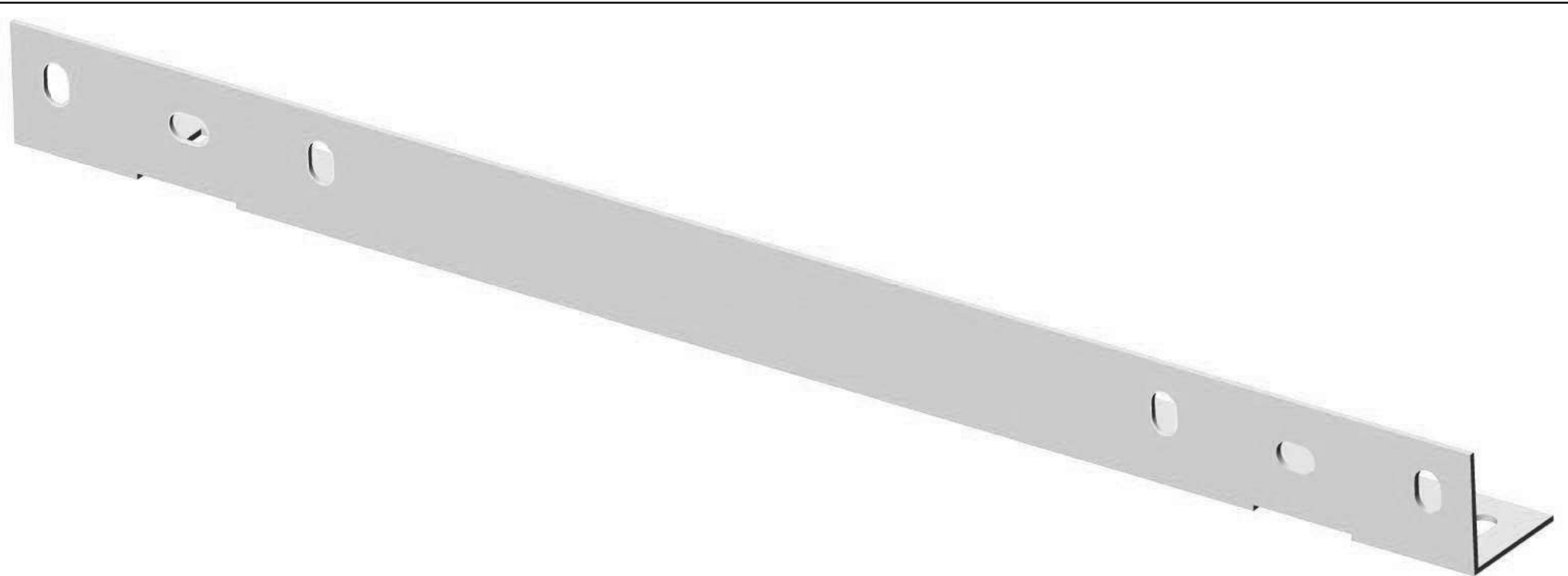
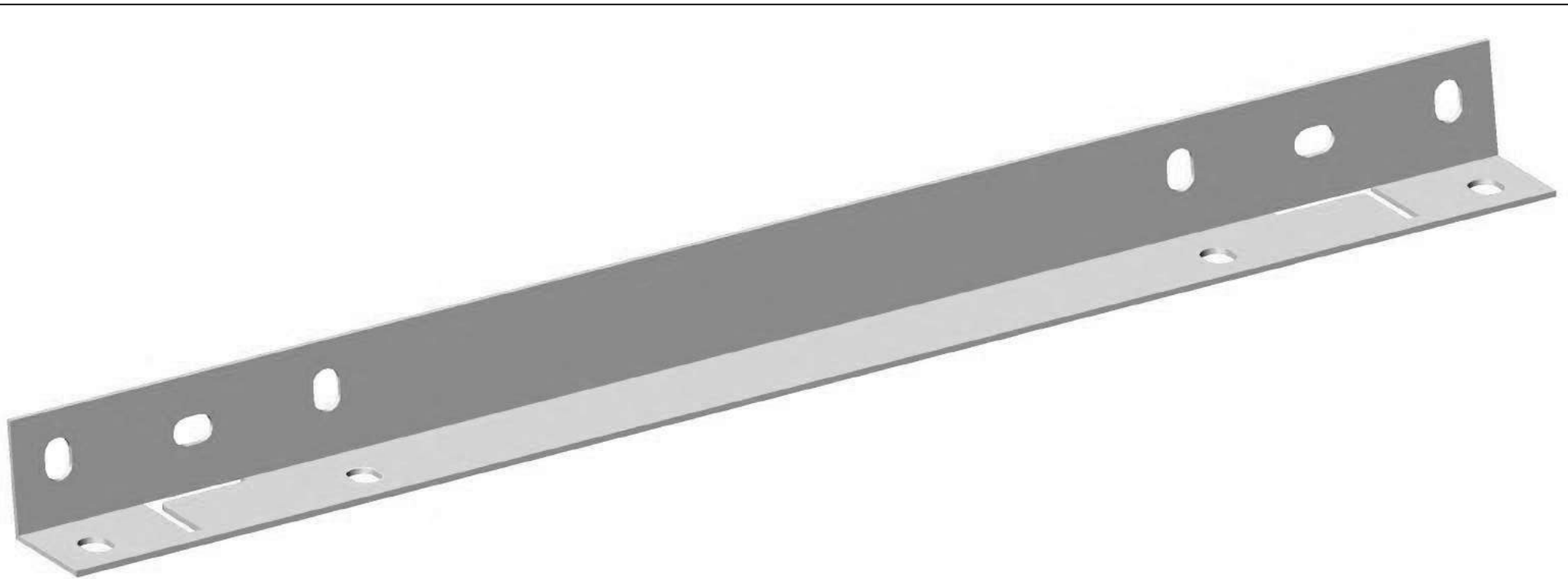


FRONT VIEW



TOP VIEW





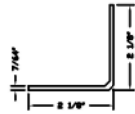


MEGNA
POOLS

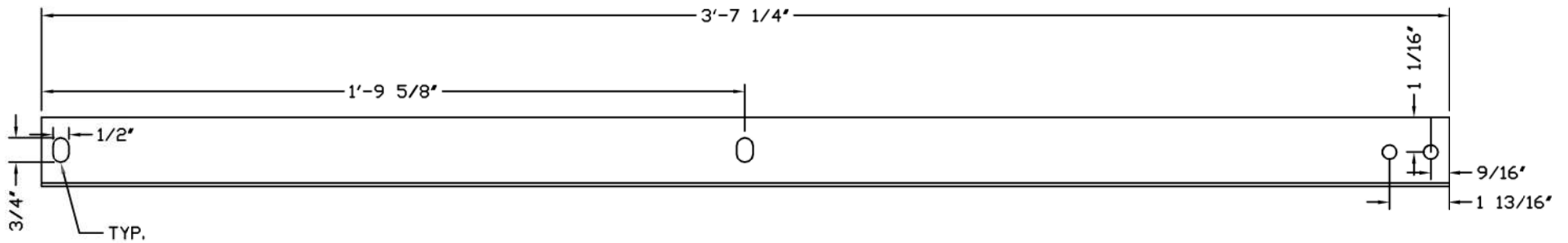
Magna Plastic Packaging Corp.

A-FRAME
2-PIECE ADJ.-12 GA.
LONG PIECE

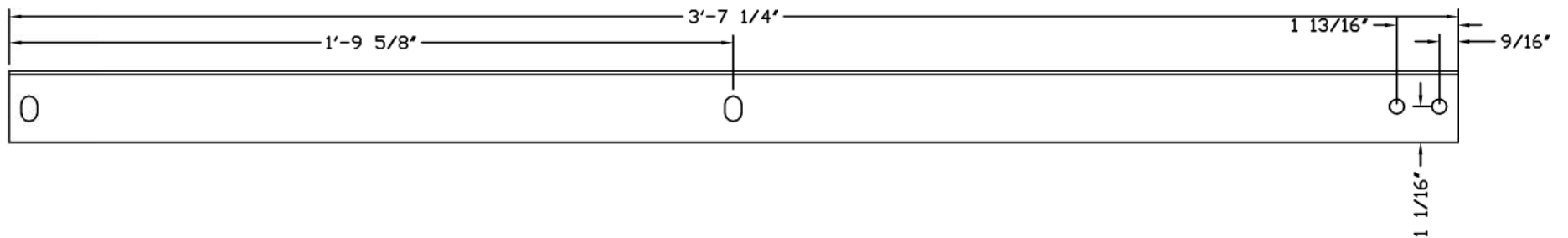
END VIEW



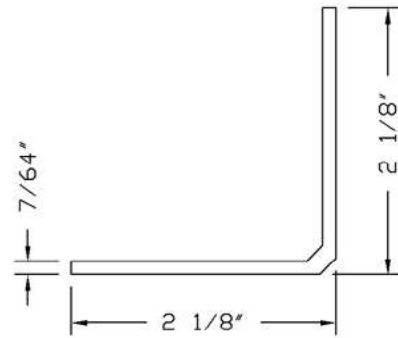
FRONT VIEW



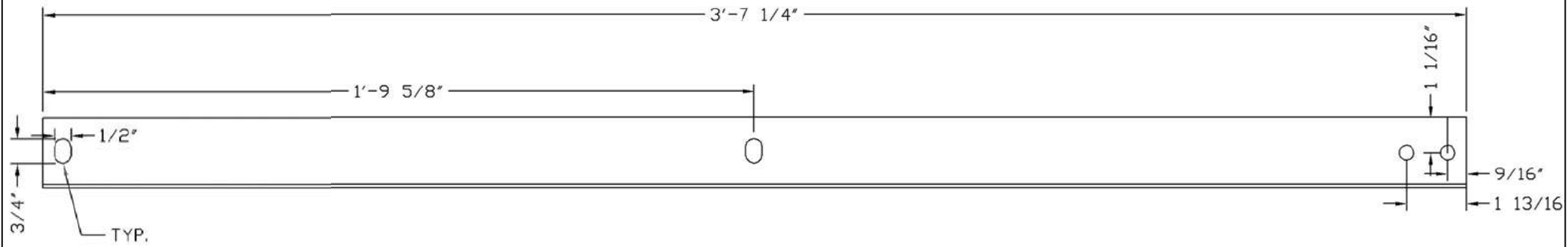
TOP VIEW



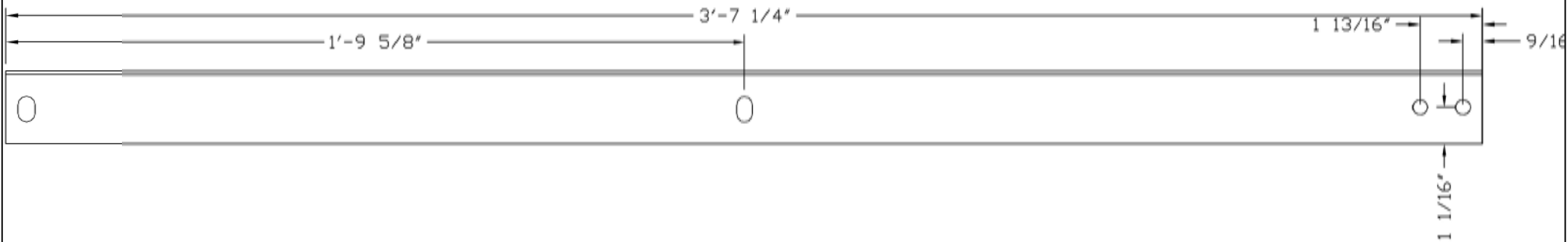
END VIEW

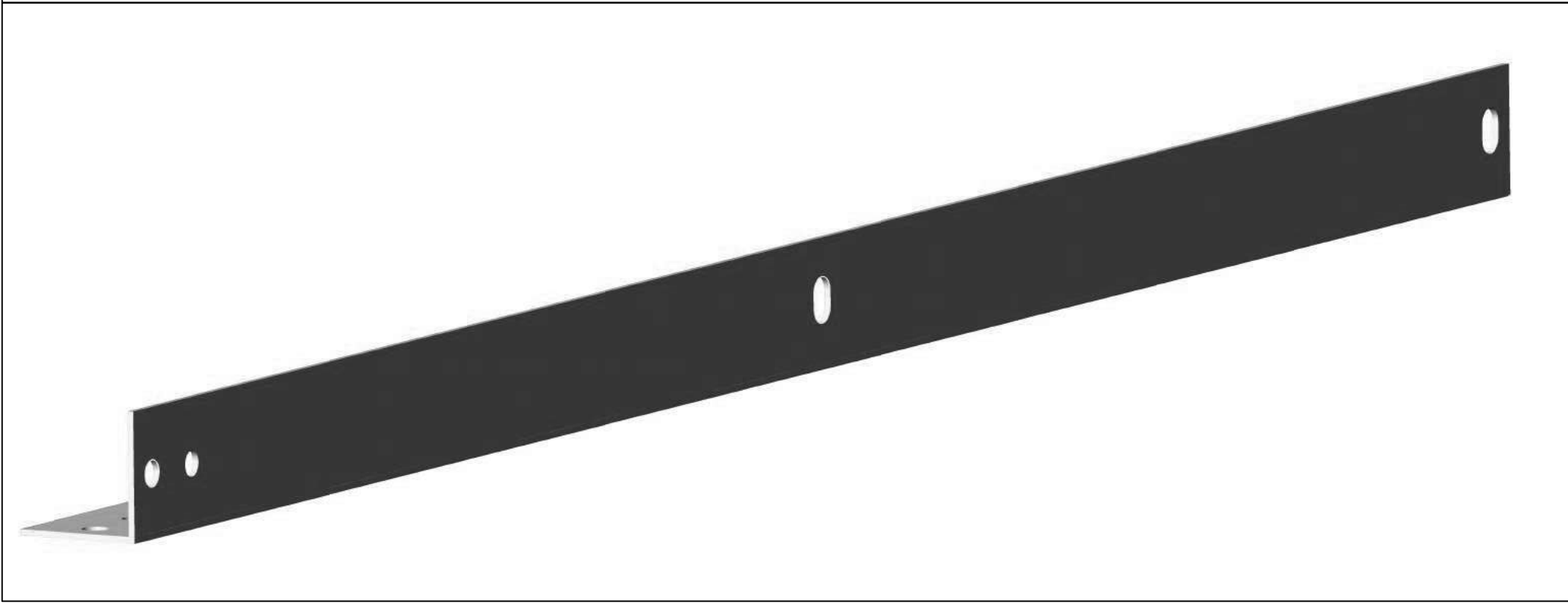
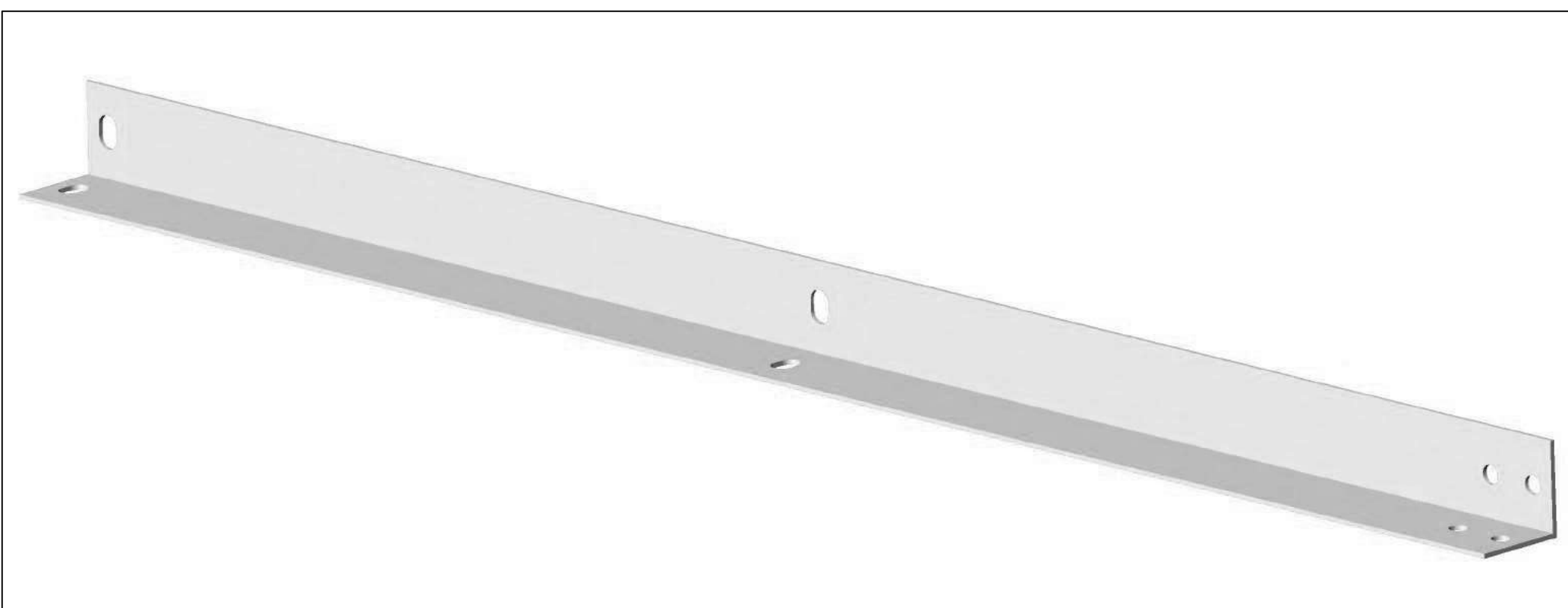


FRONT VIEW



TOP VIEW





A-FRAME
1-PIECE ADJ.-12 GA.
HARDWARE

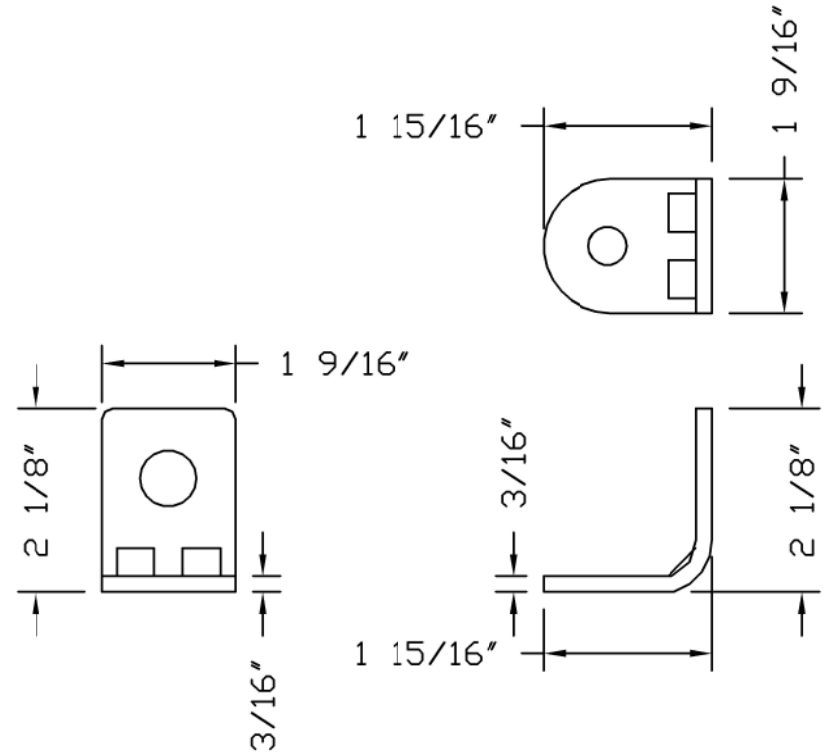
2 NUTS

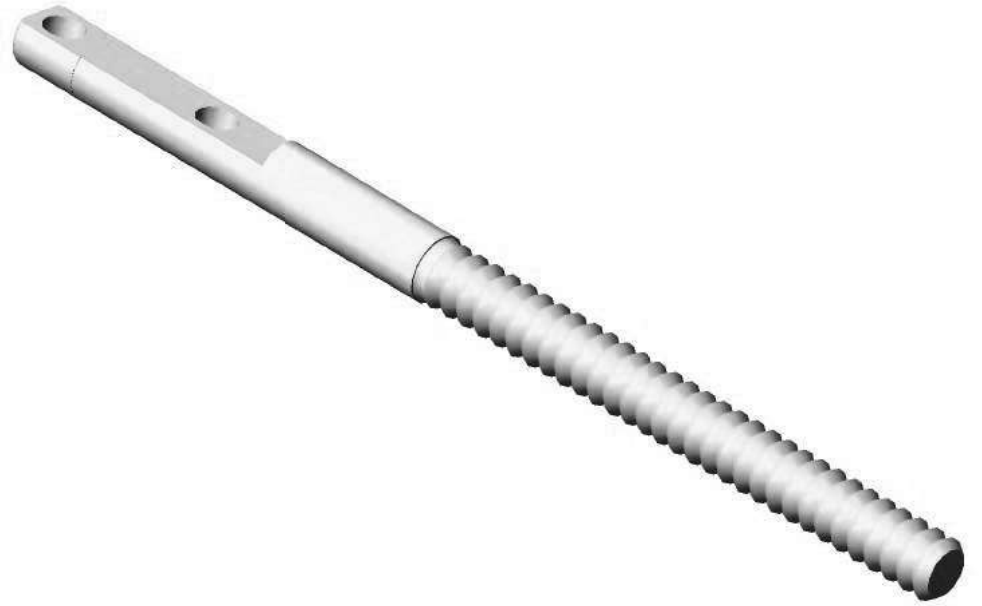
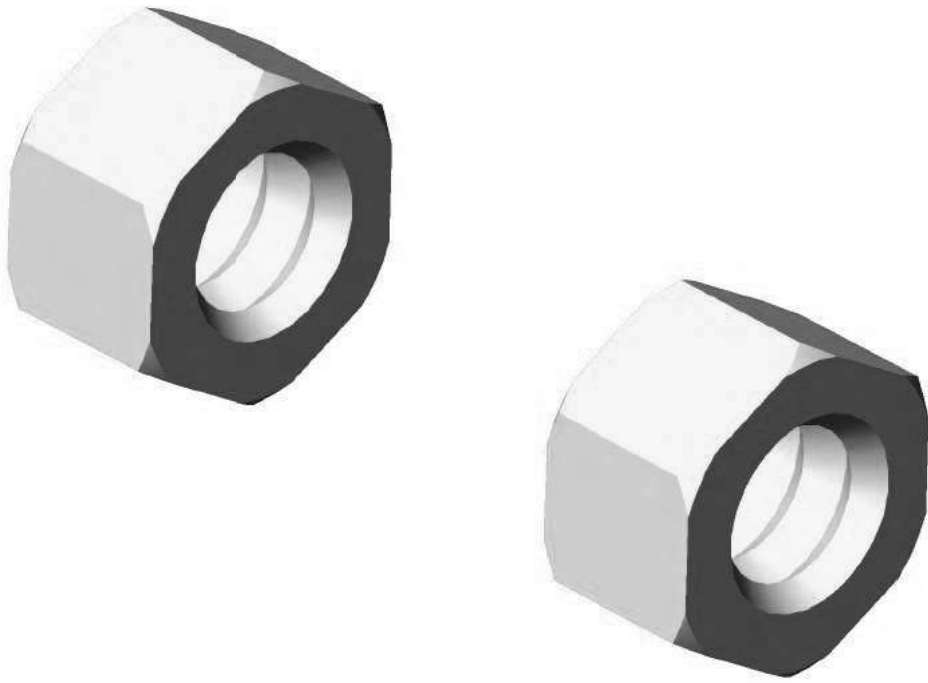


1 BOLT

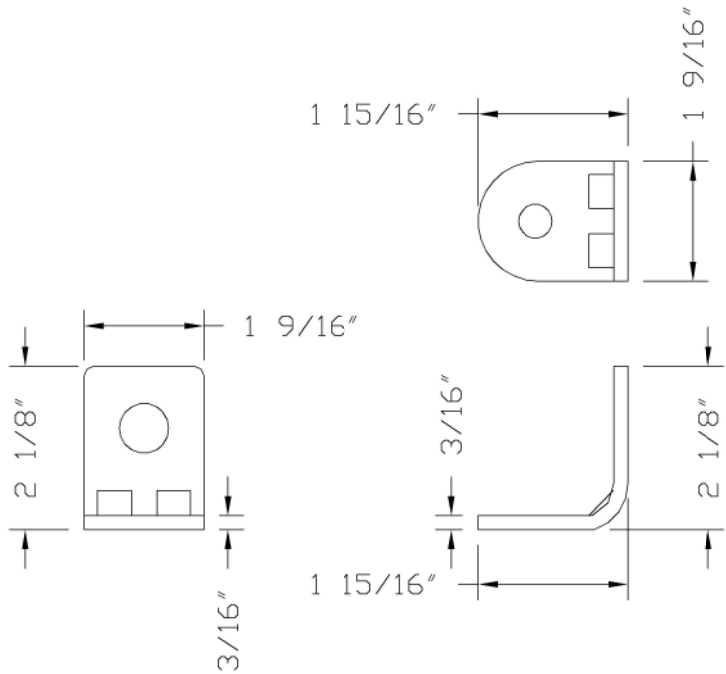


CONNECTING PLATE

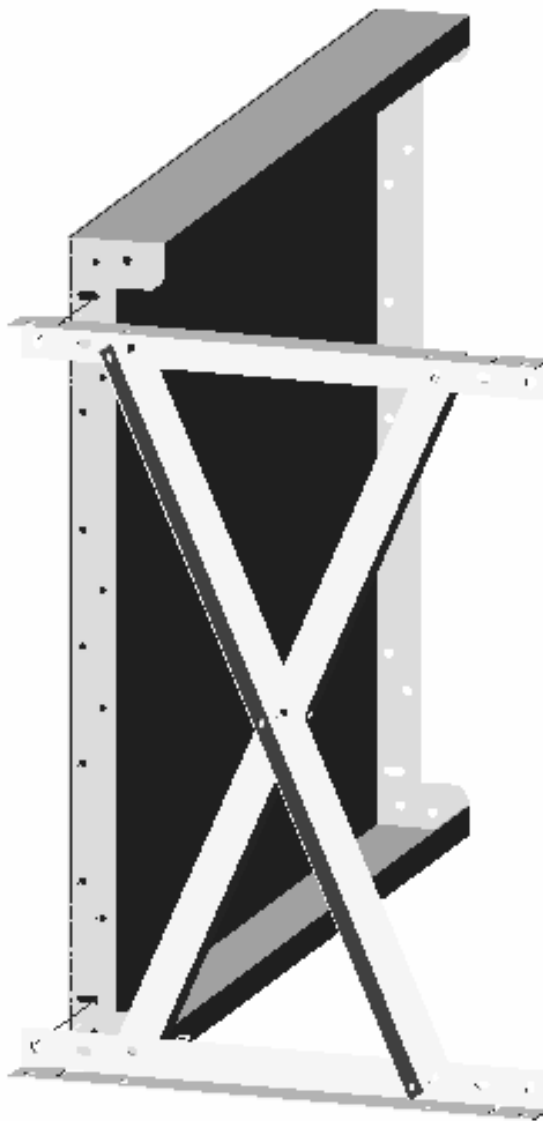


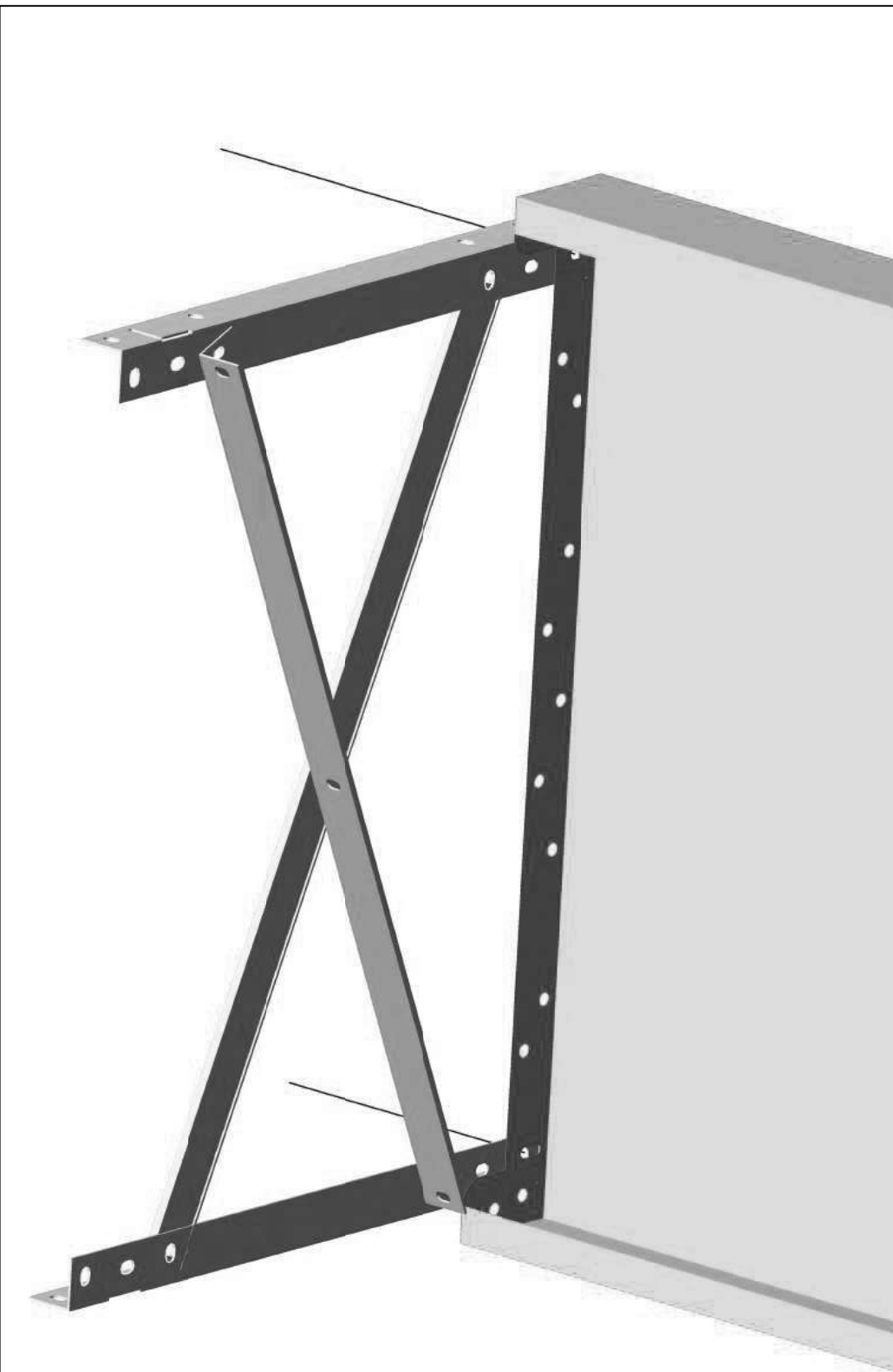
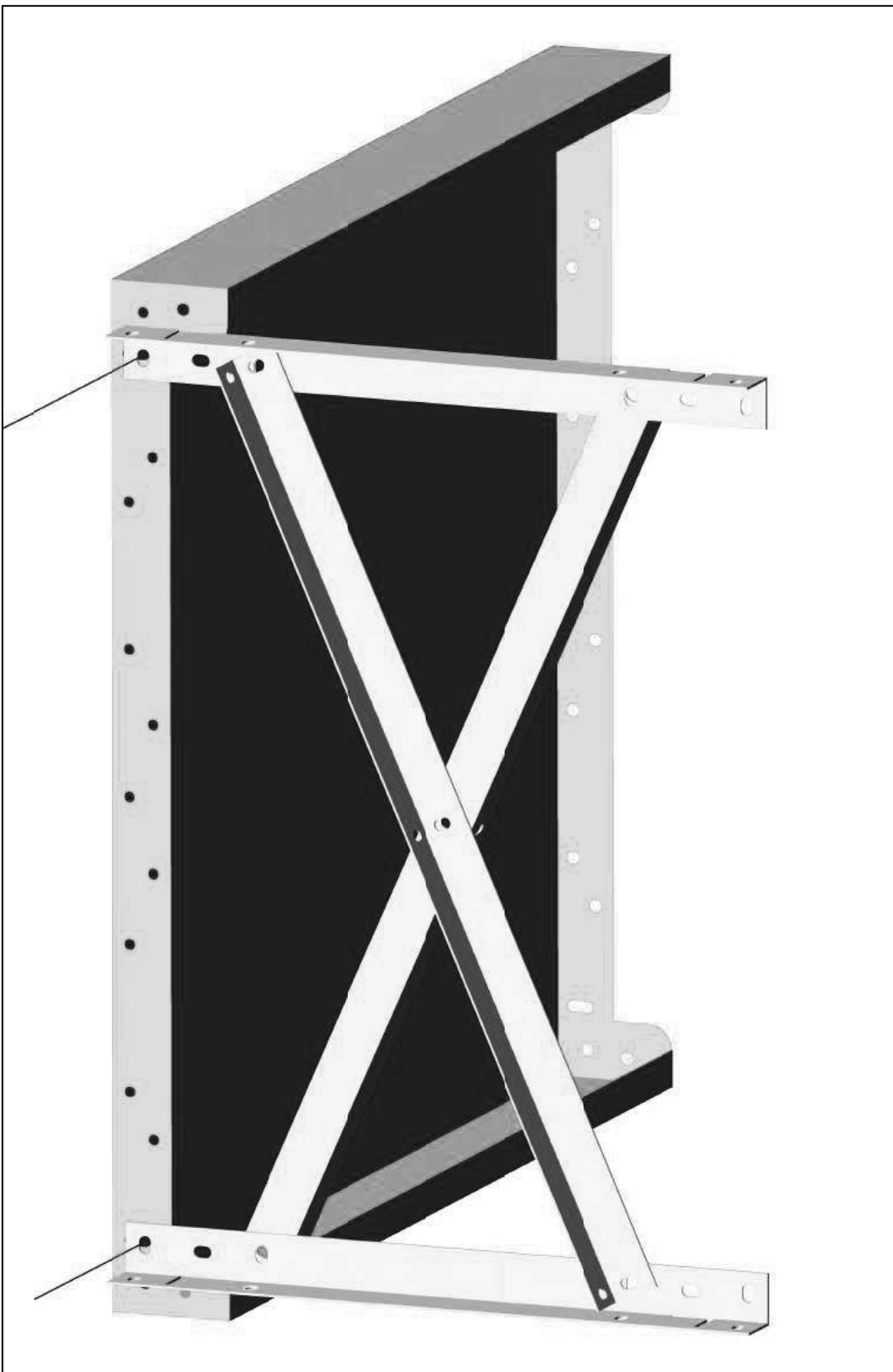


CONNECTING PLATE



BOX -SUPPORT 4 PIECES



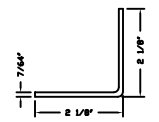




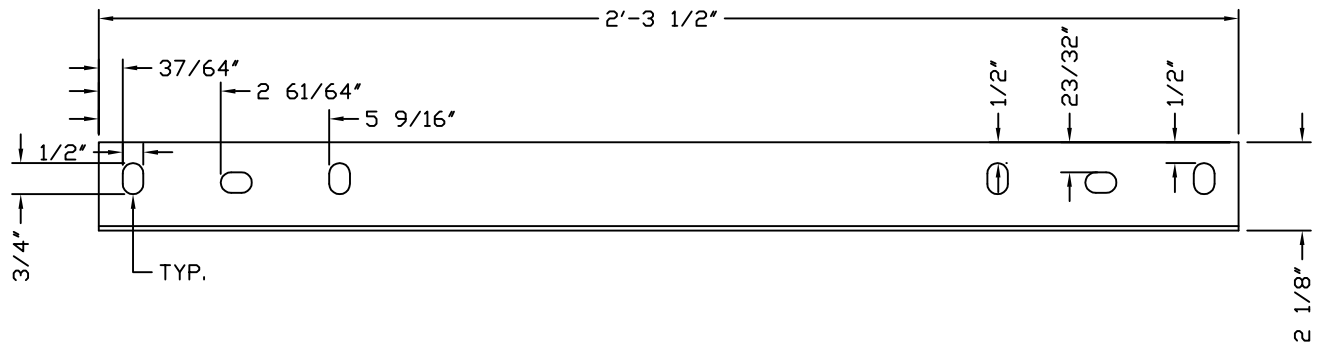
BOX SUPPORT

2 SHORT PIECES

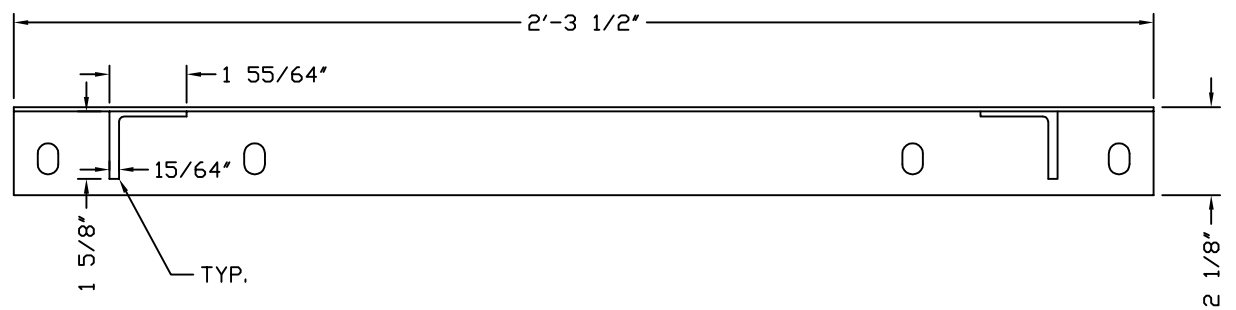
END VIEW



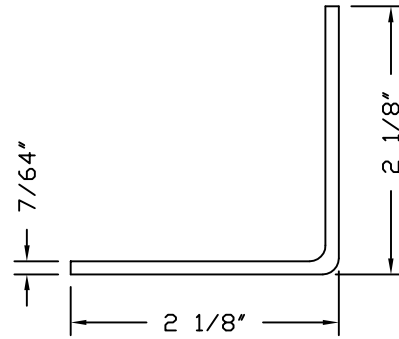
FRONT VIEW



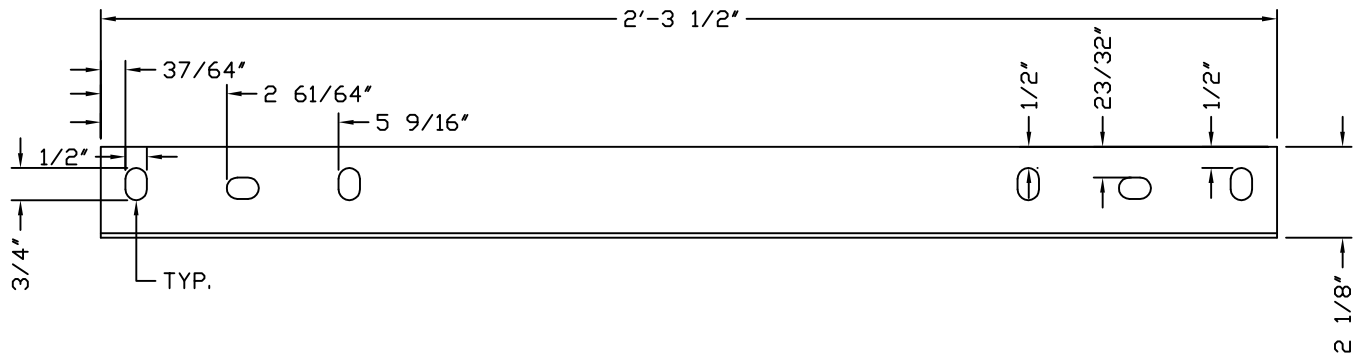
TOP VIEW



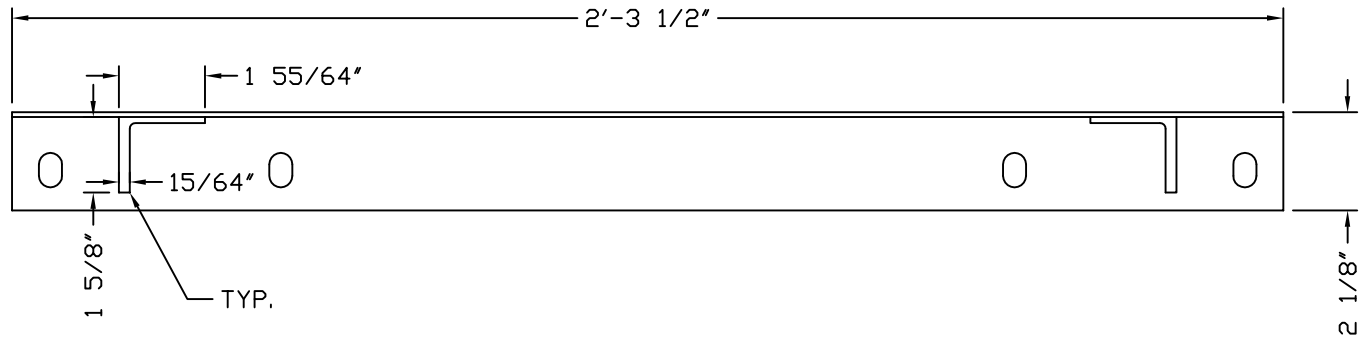
END VIEW

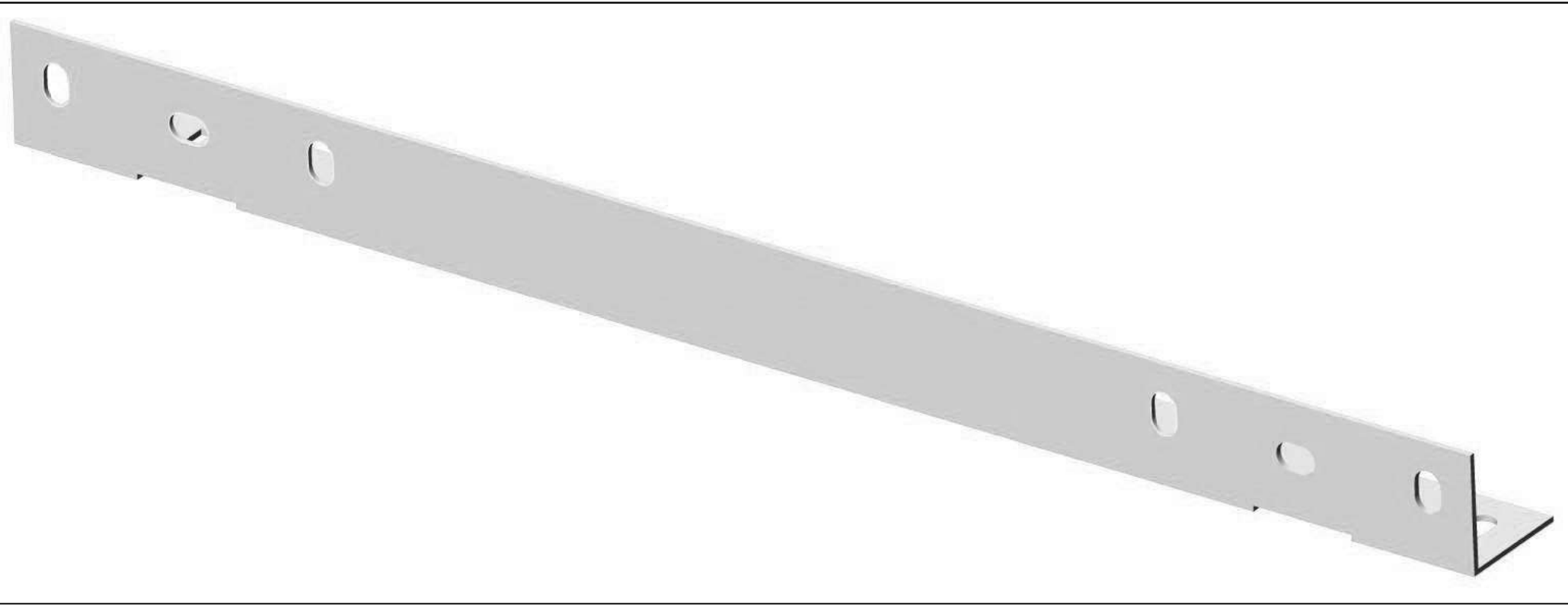
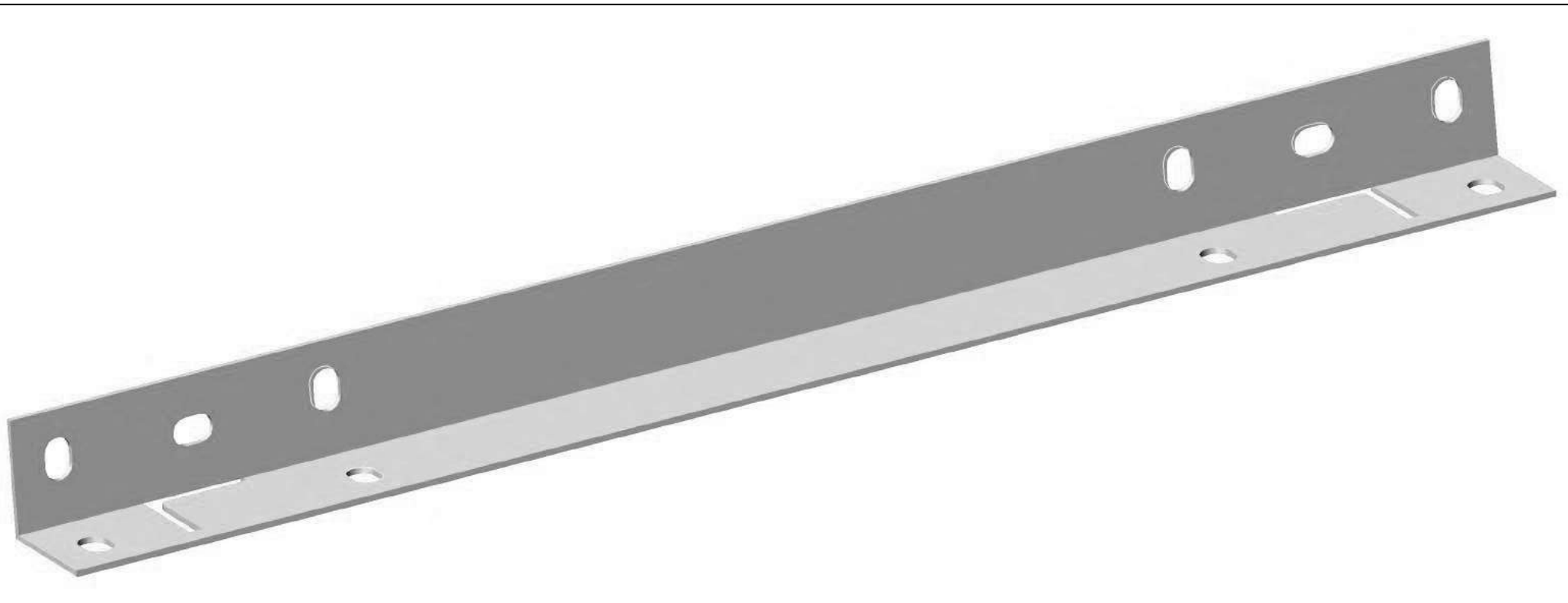


FRONT VIEW



TOP VIEW







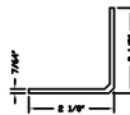
MEGNA
POOLS

Magna Plastic Packaging Corp.

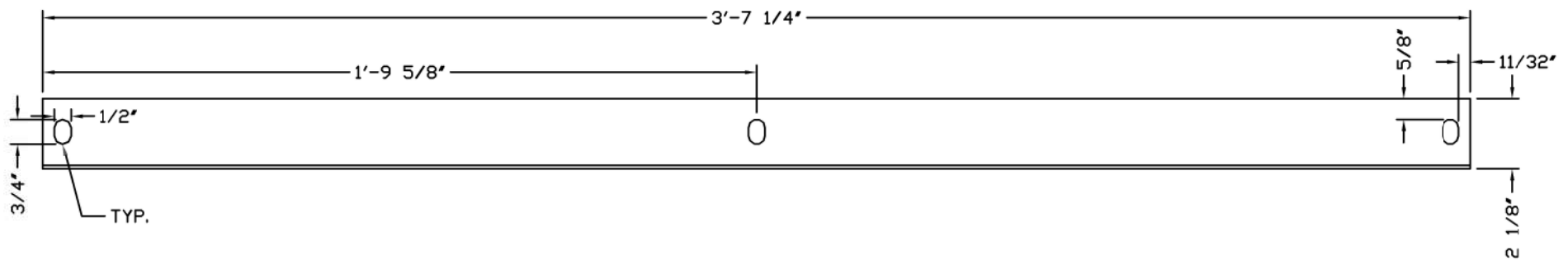
BOX SUPPORT

2 LONG PIECES

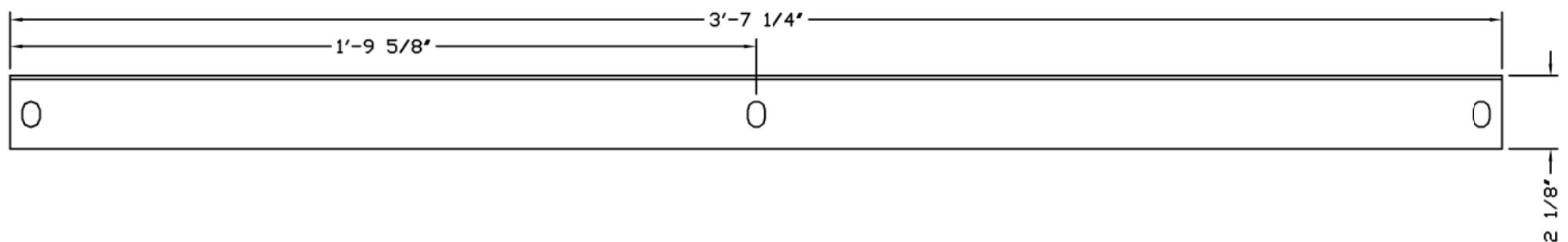
END VIEW



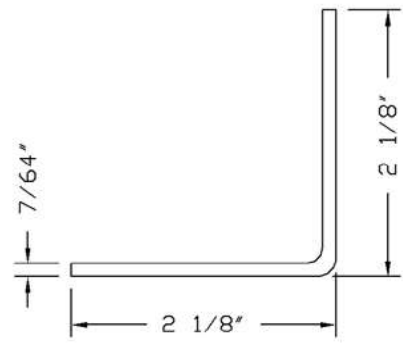
FRONT VIEW



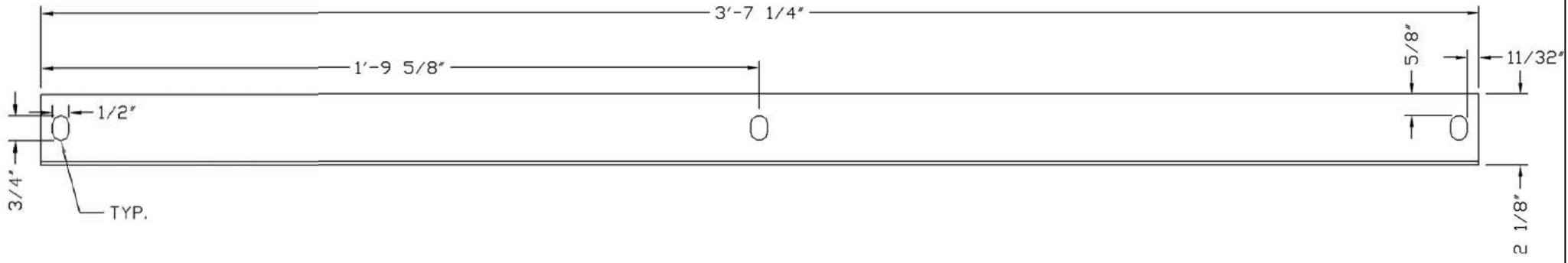
TOP VIEW



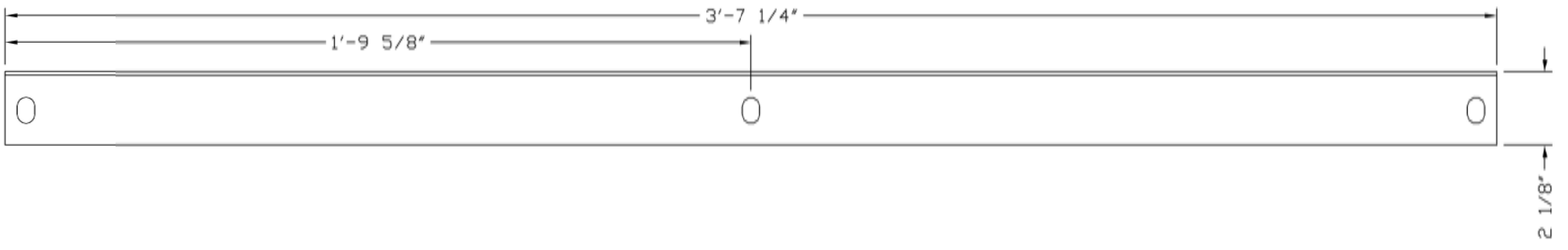
END VIEW

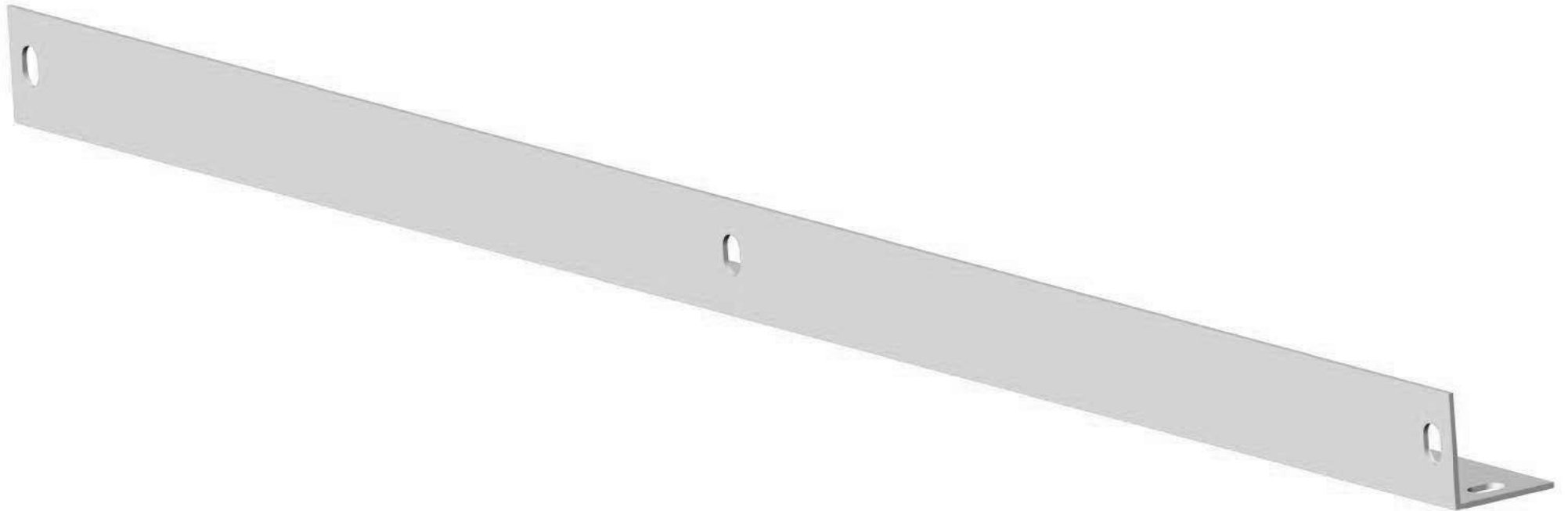
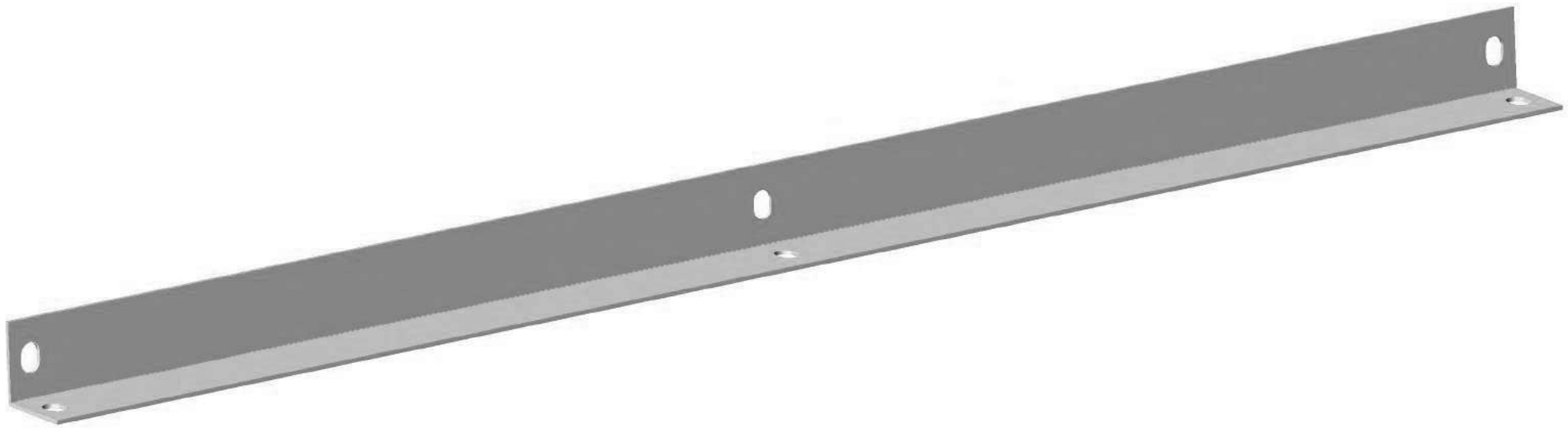


FRONT VIEW

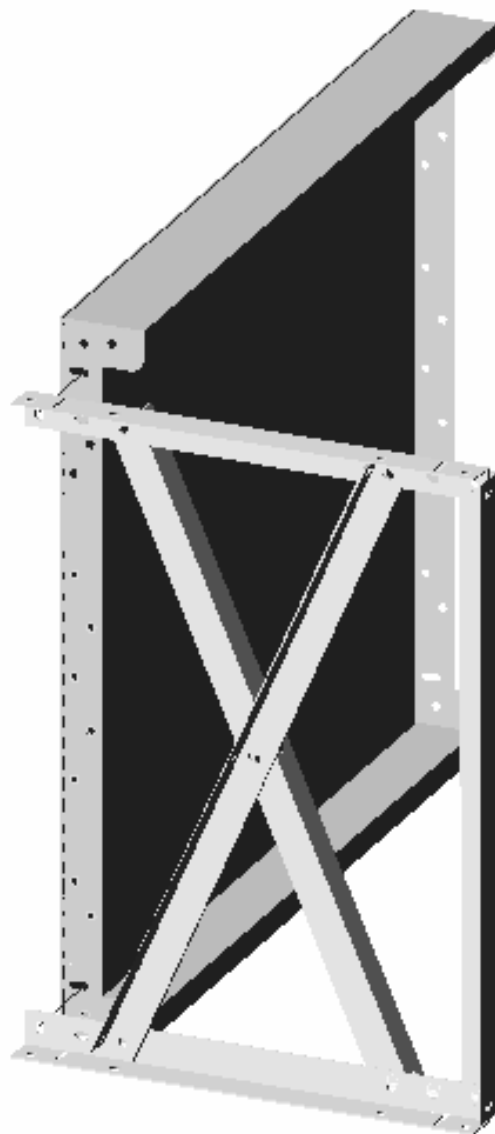


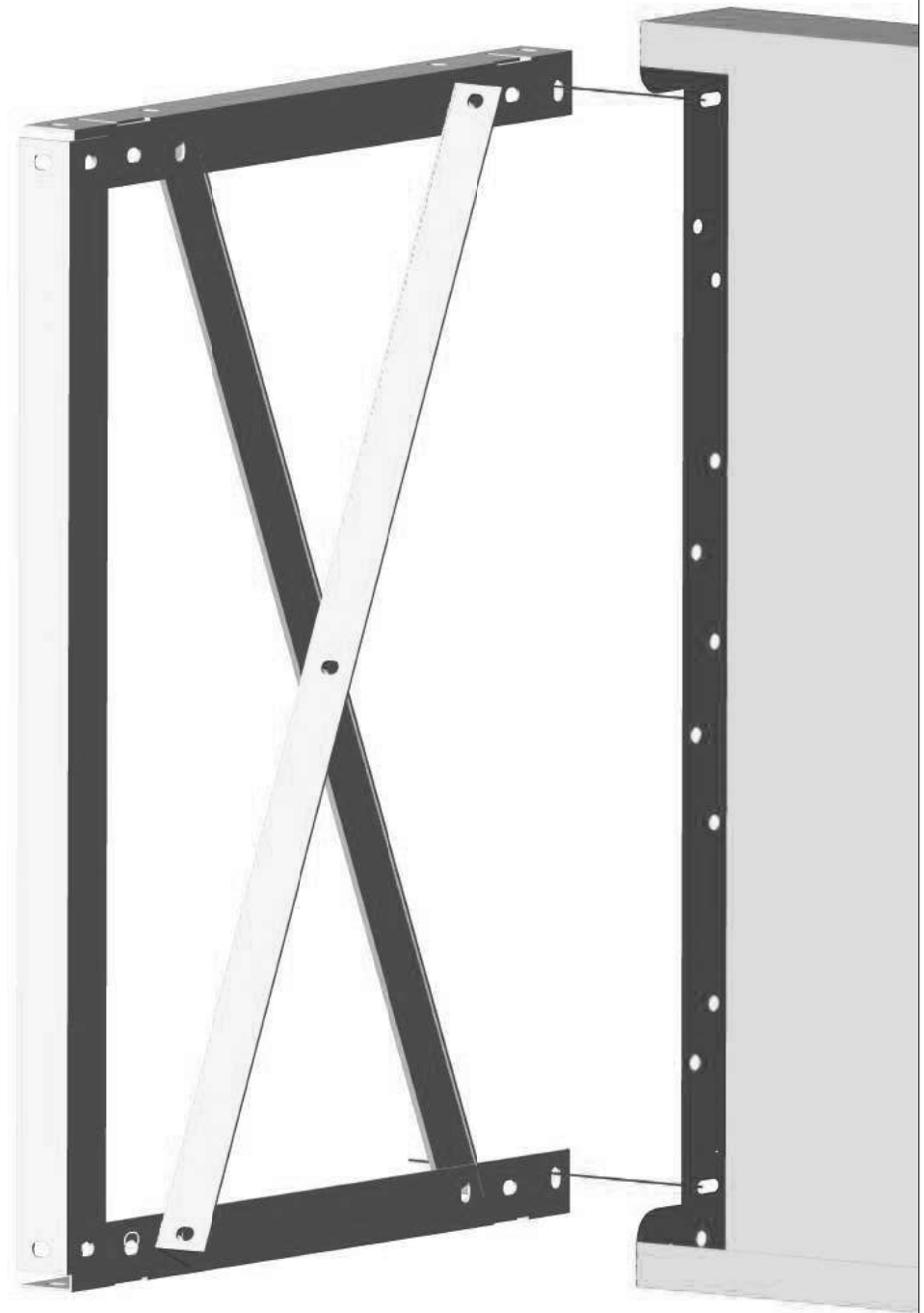
TOP VIEW





BOX -SUPPORT 5 PIECES



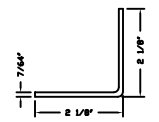




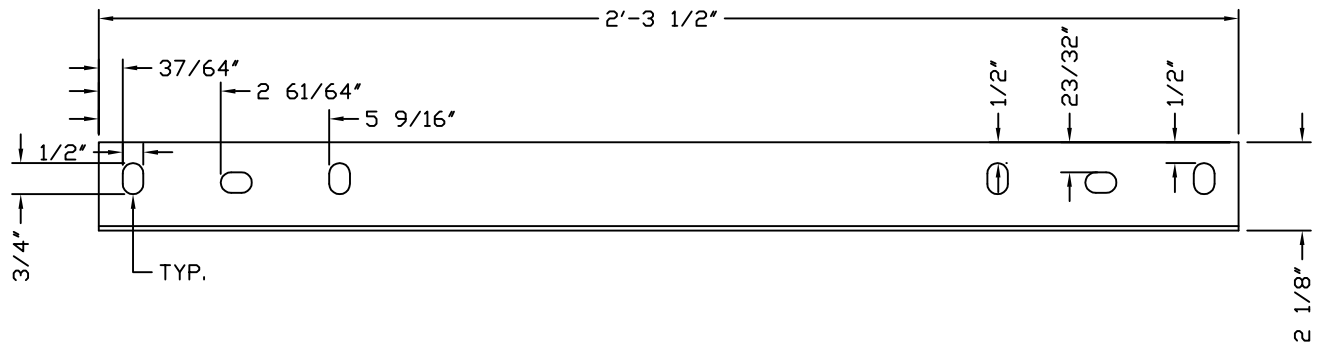
BOX SUPPORT

2 SHORT PIECES

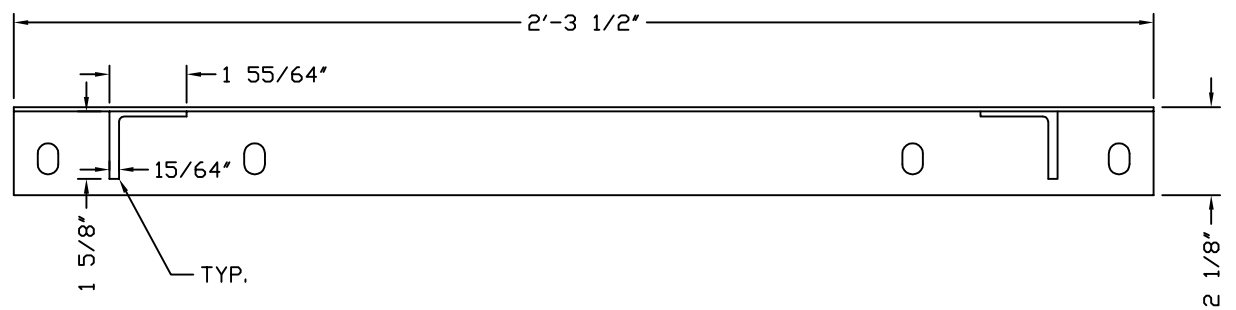
END VIEW



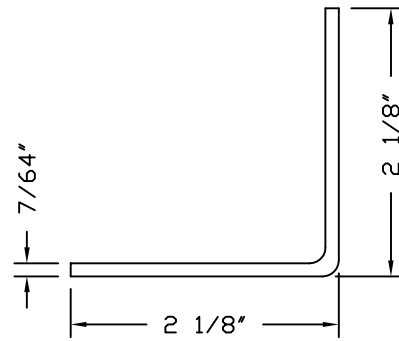
FRONT VIEW



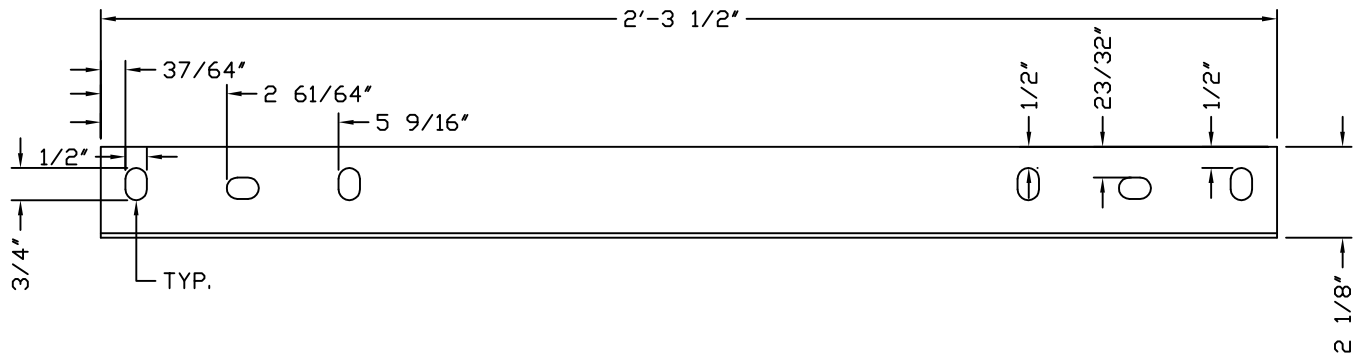
TOP VIEW



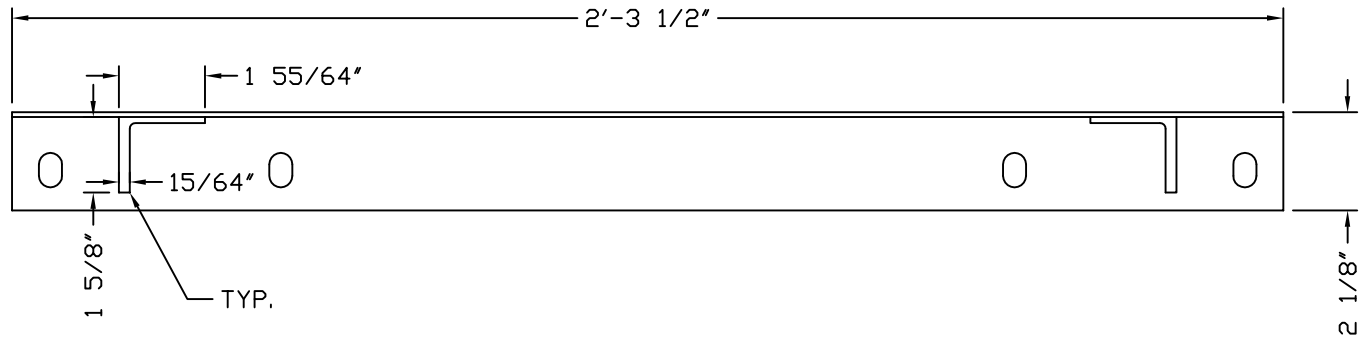
END VIEW

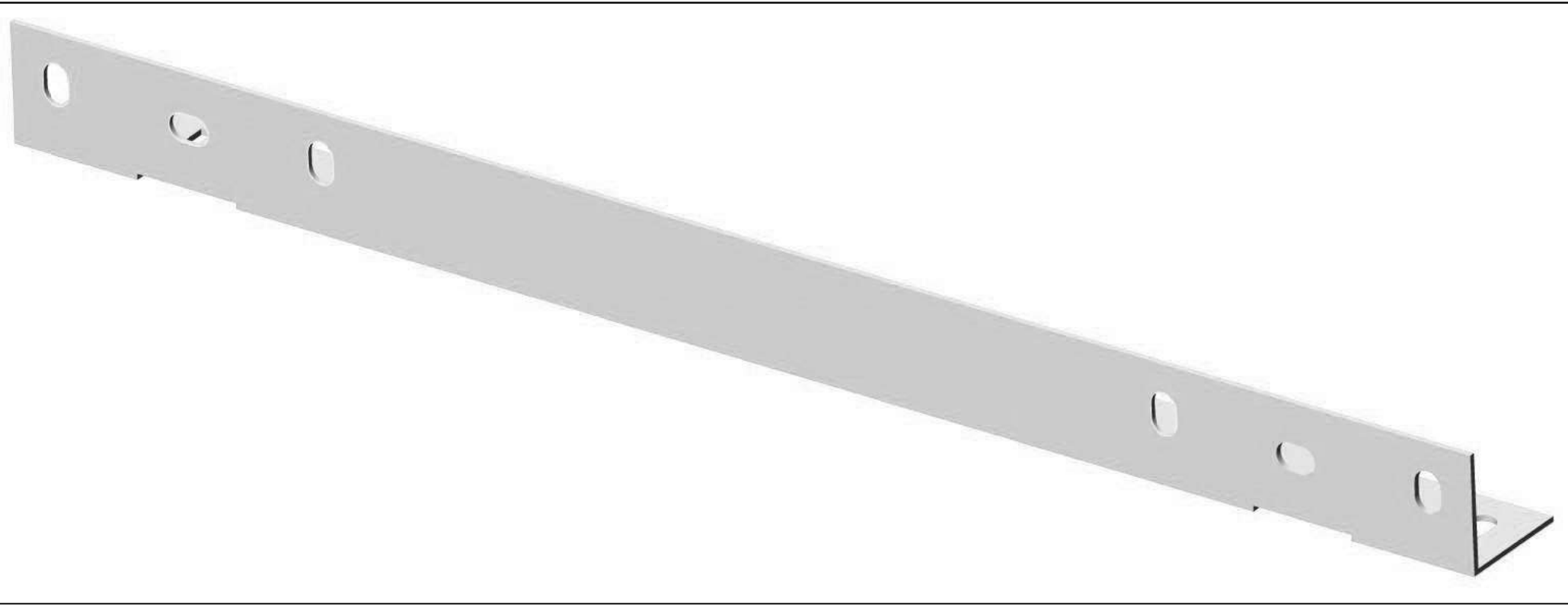
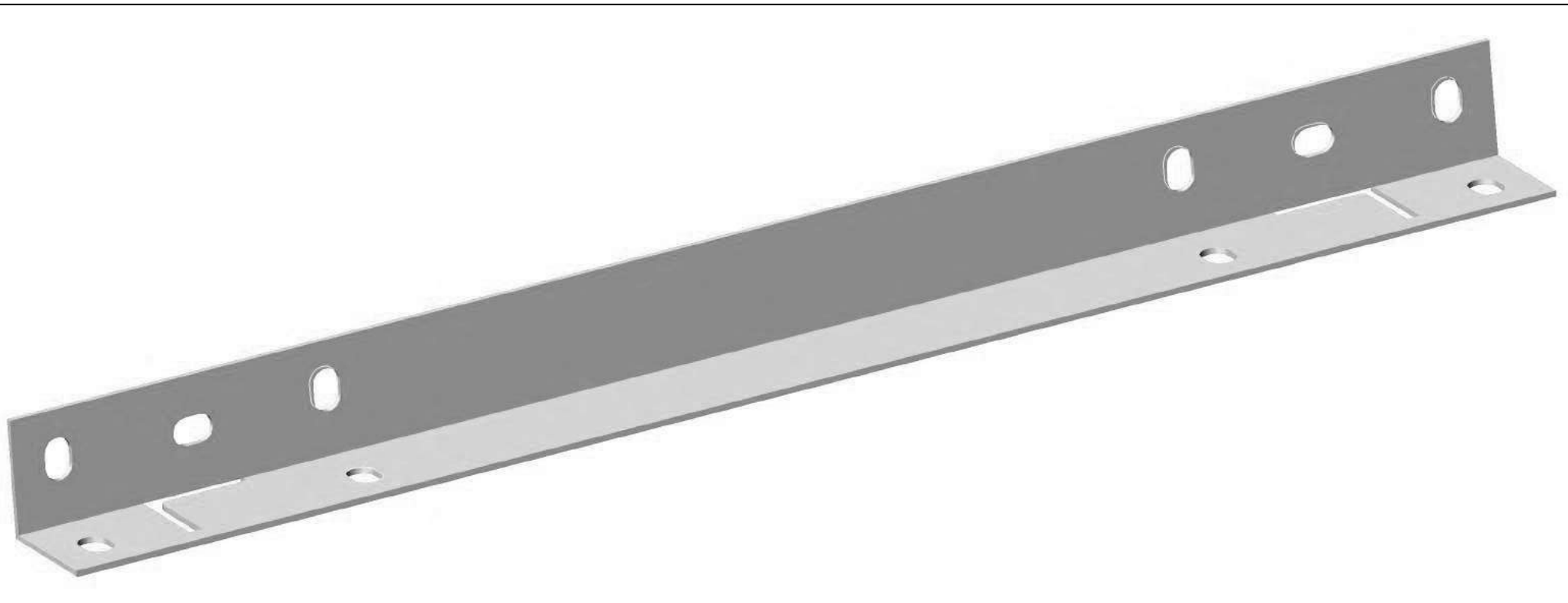


FRONT VIEW



TOP VIEW





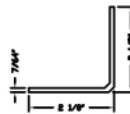


MEGNA
POOLS

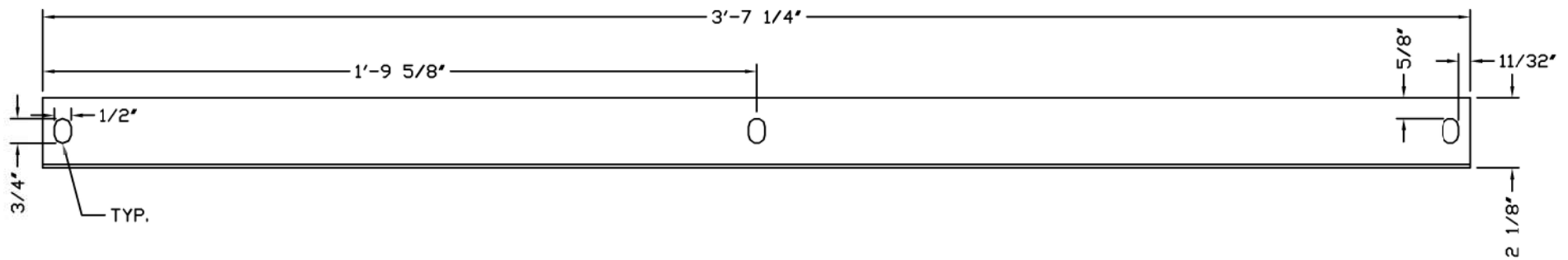
Magna Plastic Packaging Corp.

BOX SUPPORT 2 LONG PIECES

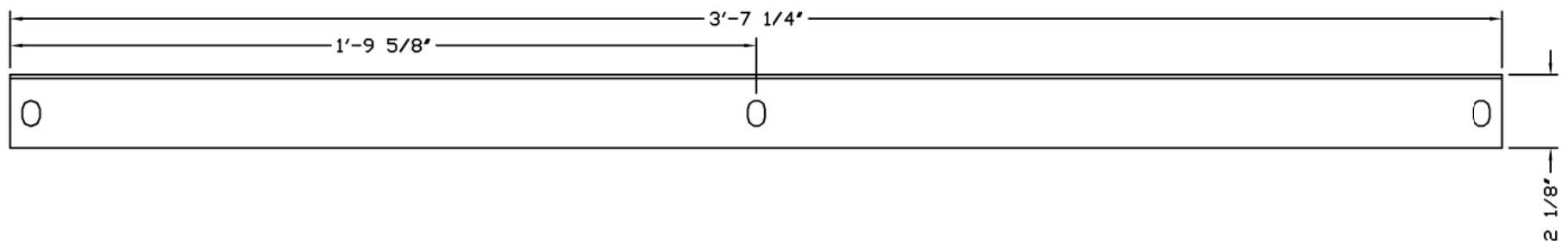
END VIEW



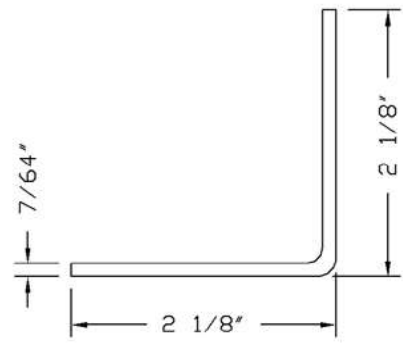
FRONT VIEW



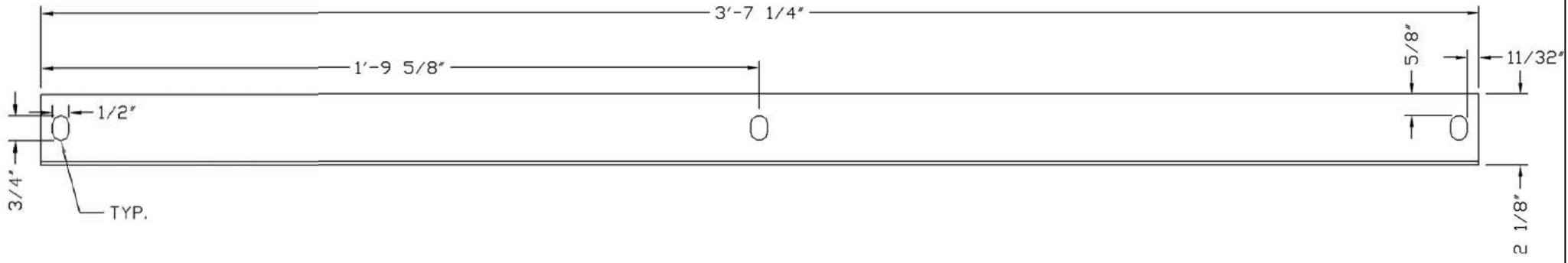
TOP VIEW



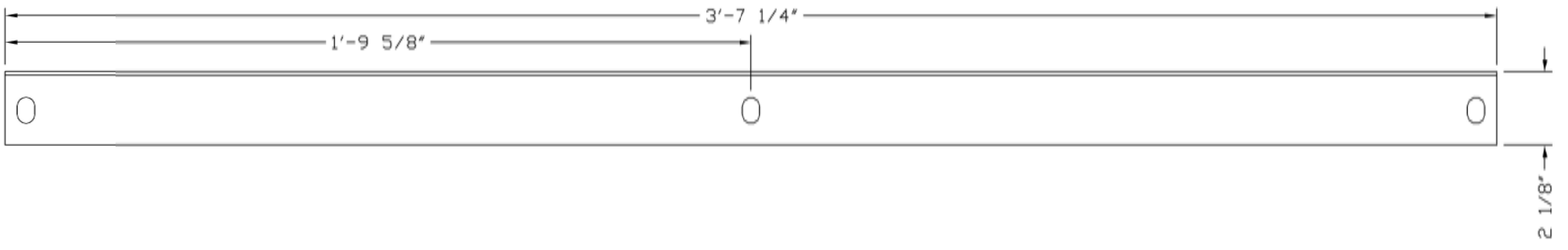
END VIEW

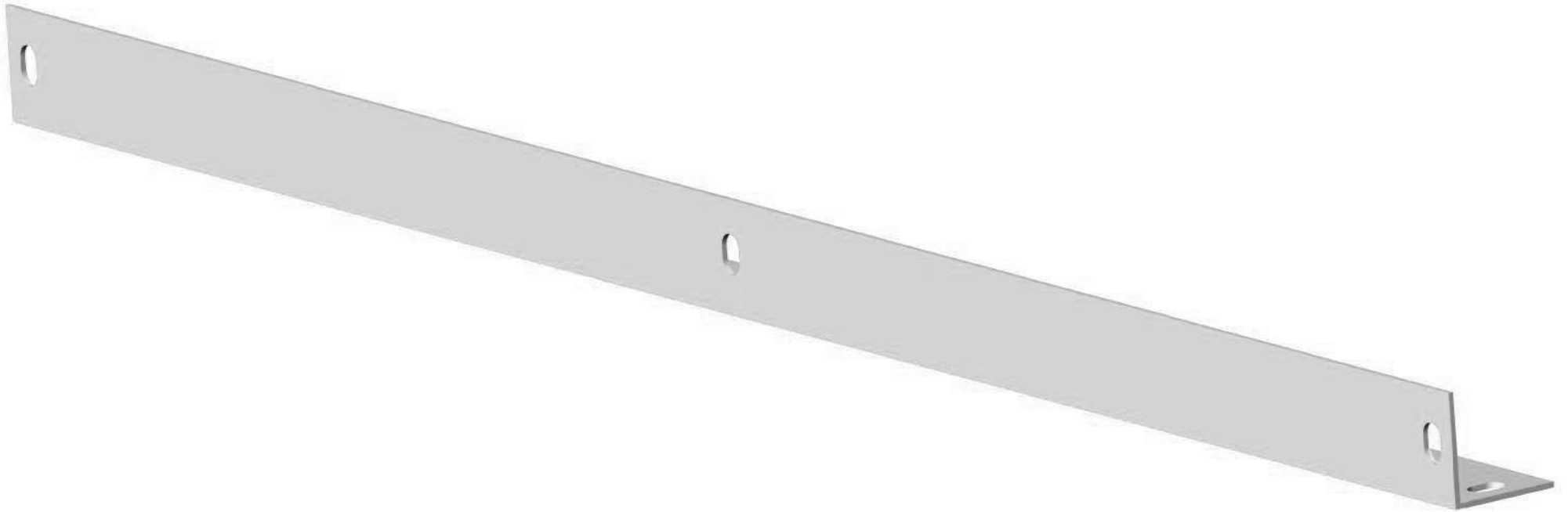
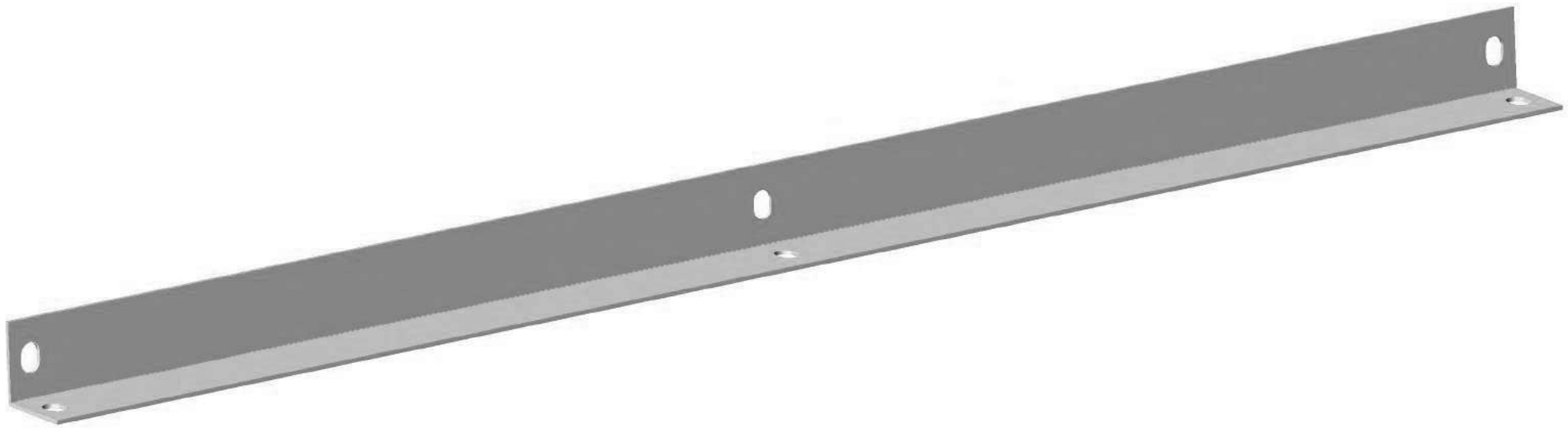


FRONT VIEW



TOP VIEW







MEGNA
POOLS

Megna Plastic Packaging Corp.

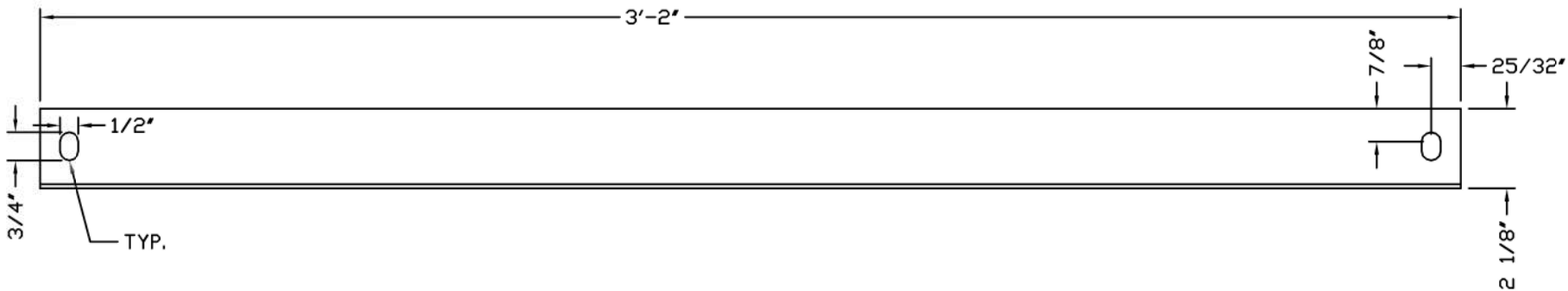
BOX SUPPORT

BACK SUPPORT

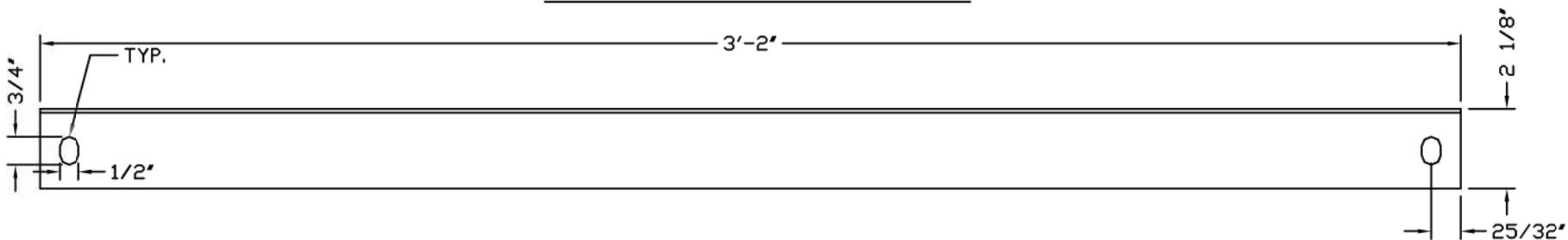
END VIEW



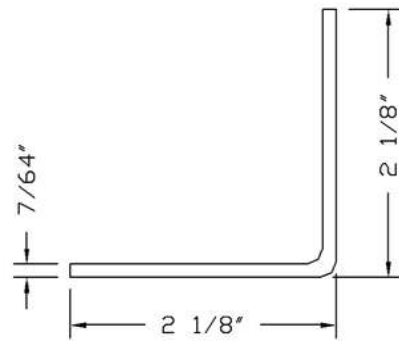
FRONT VIEW



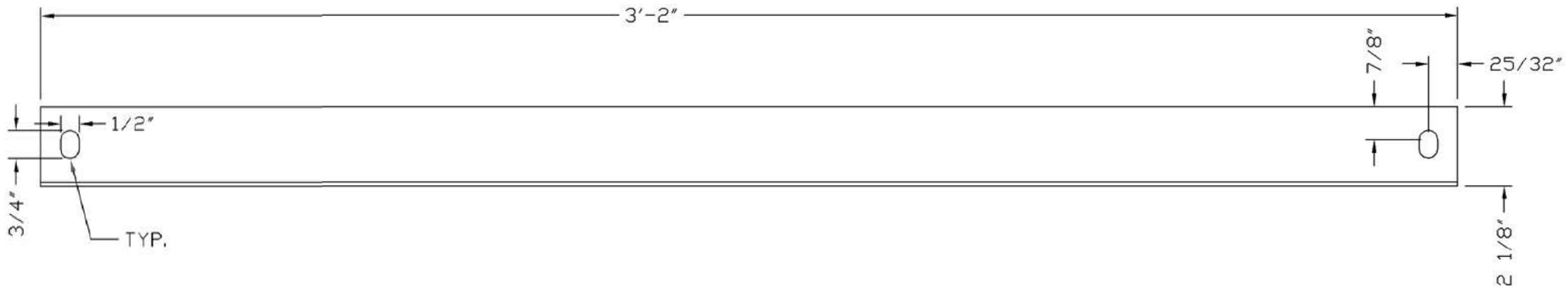
TOP VIEW



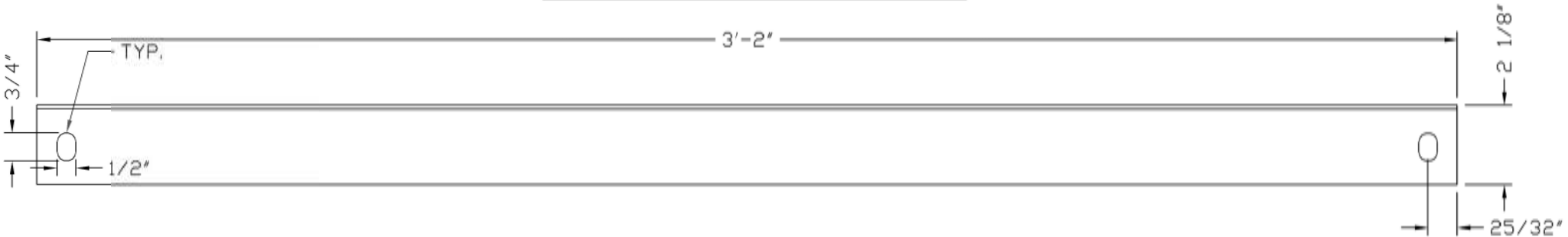
END VIEW

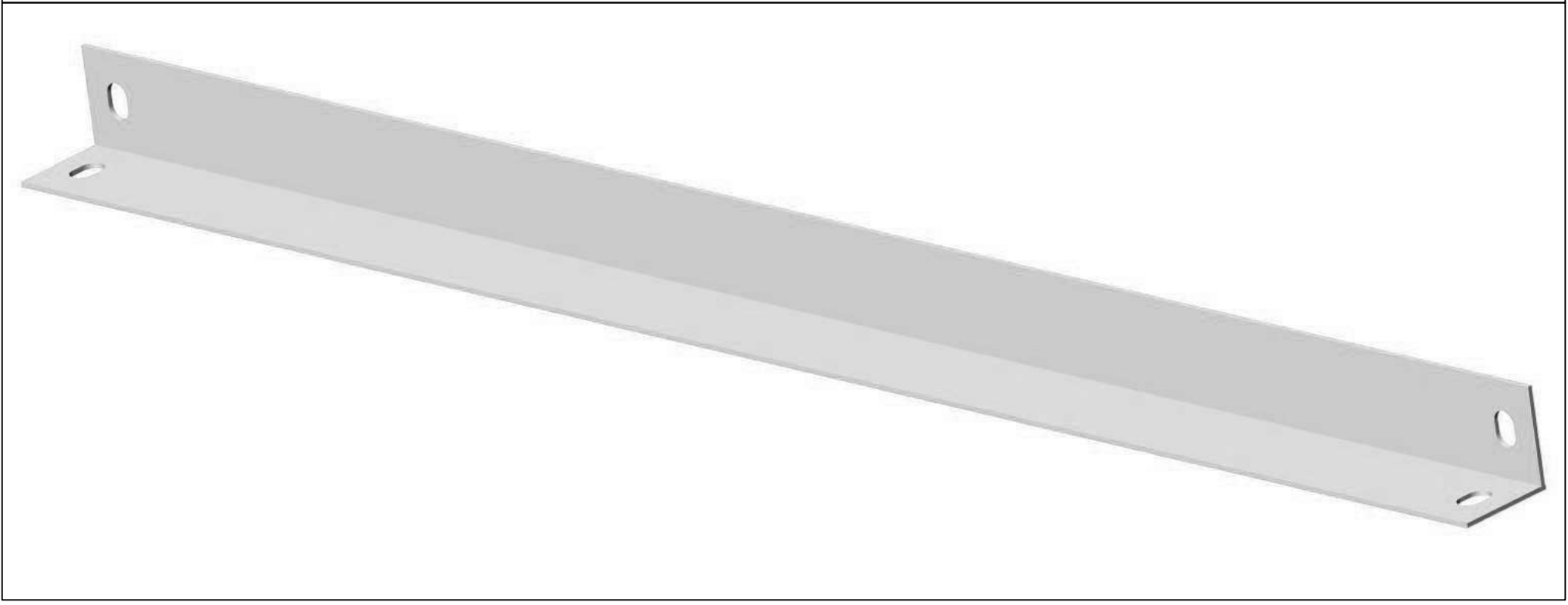
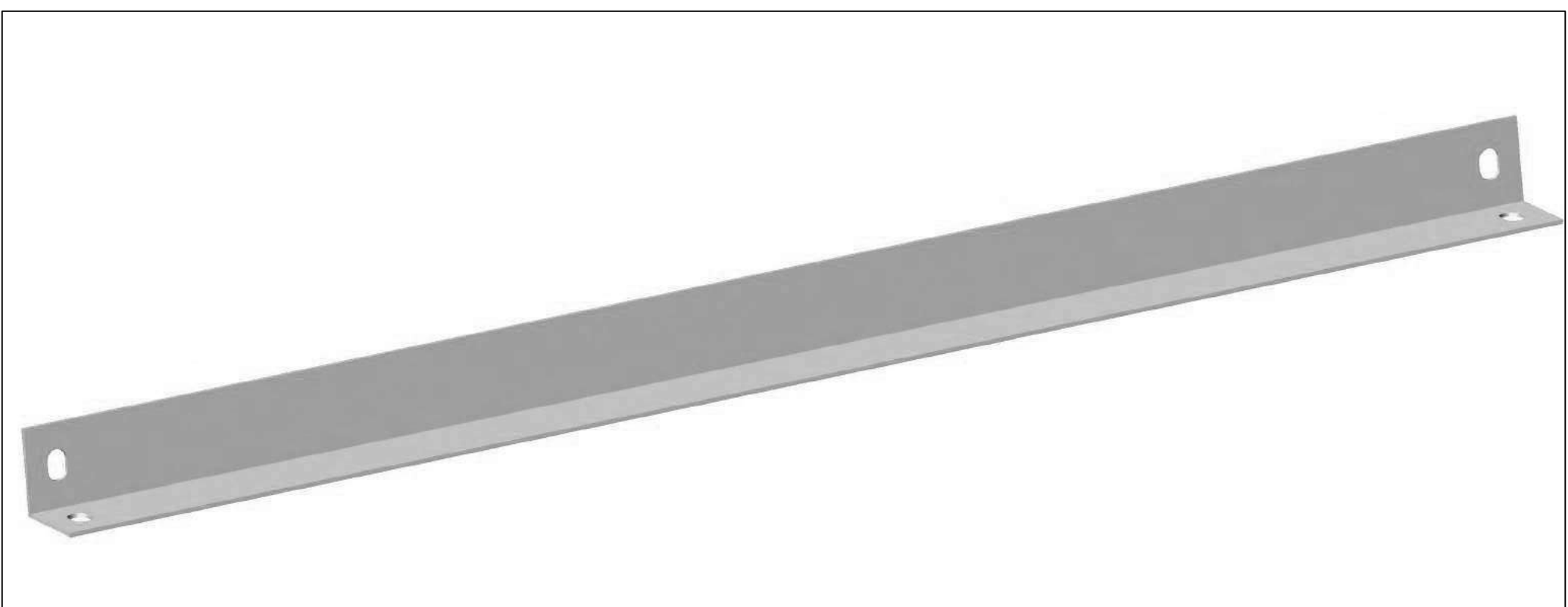


FRONT VIEW

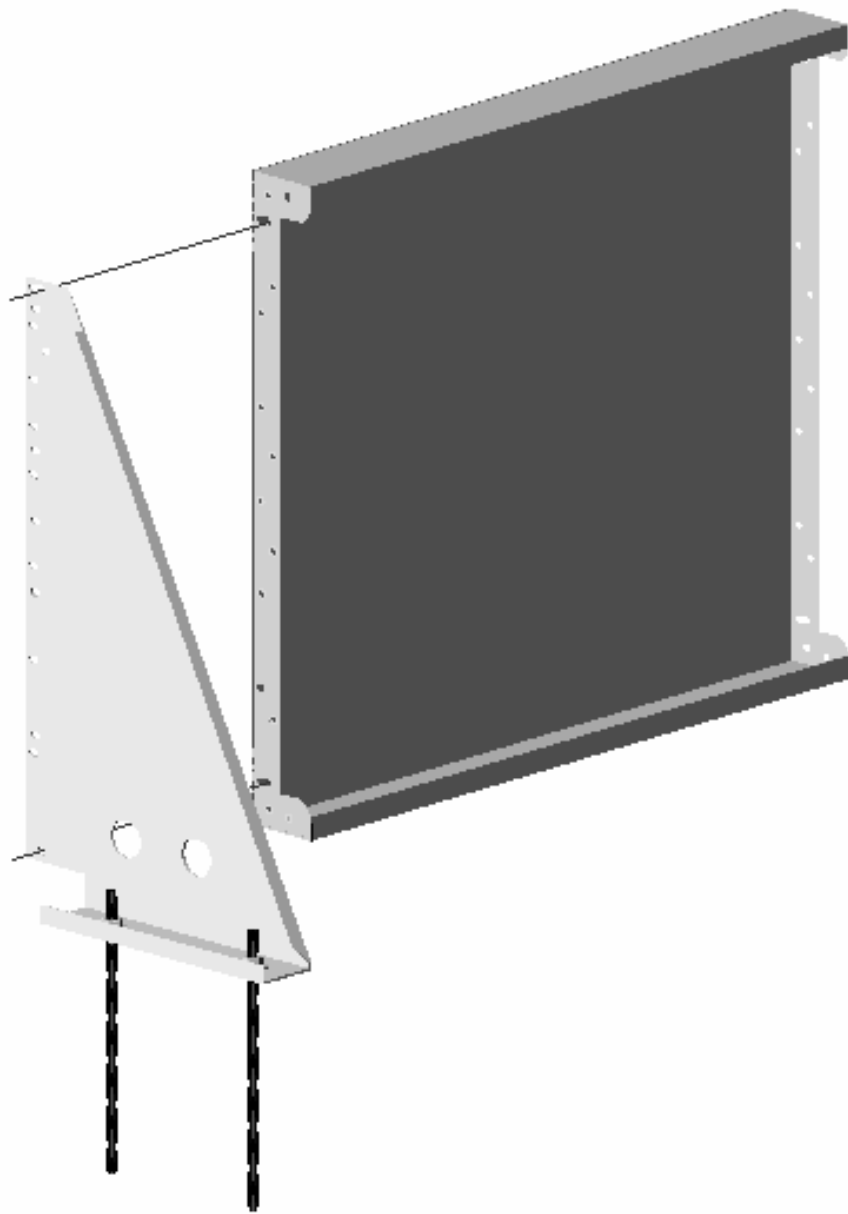


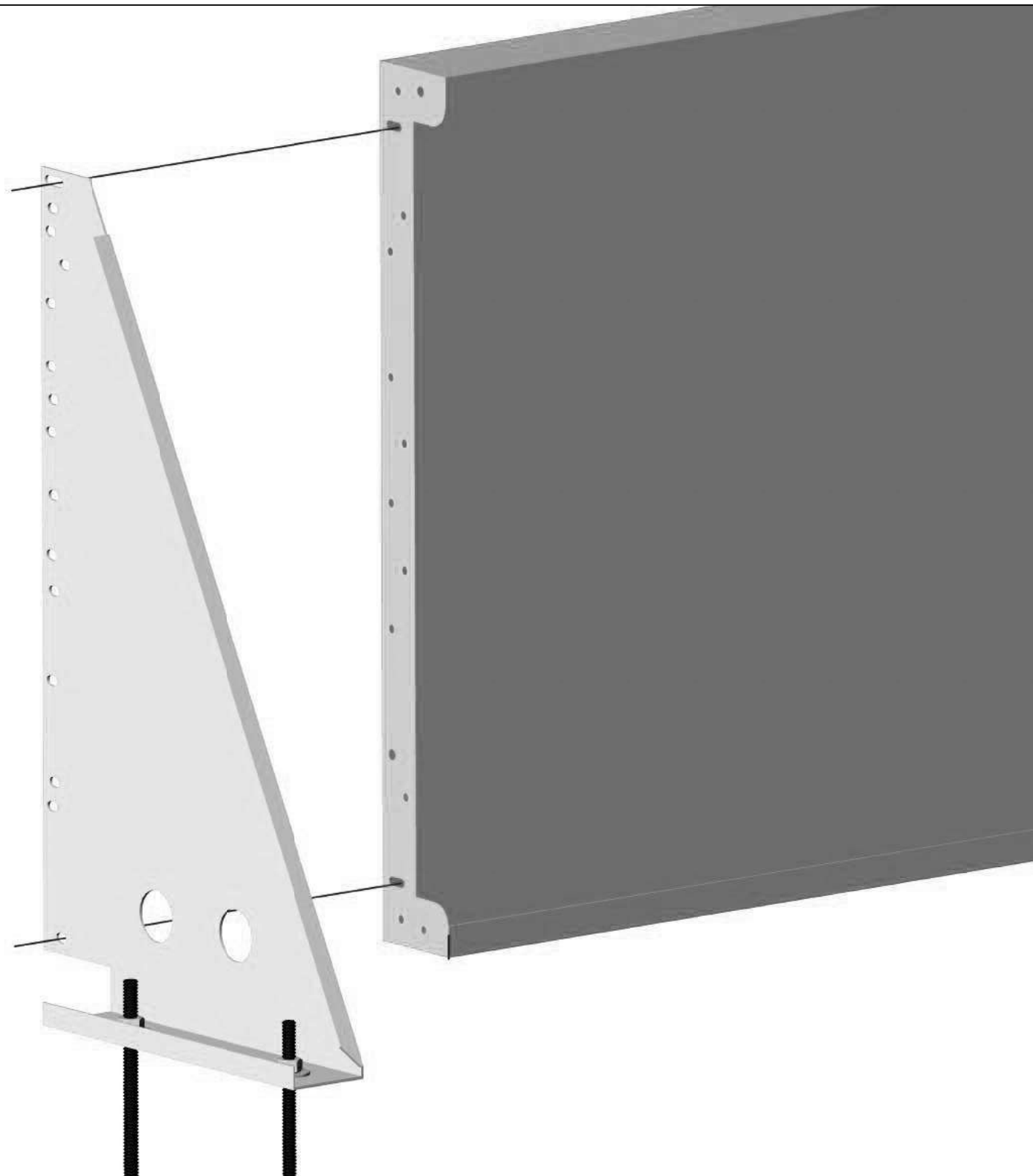
TOP VIEW





BUTTRESS 10 GAUGE







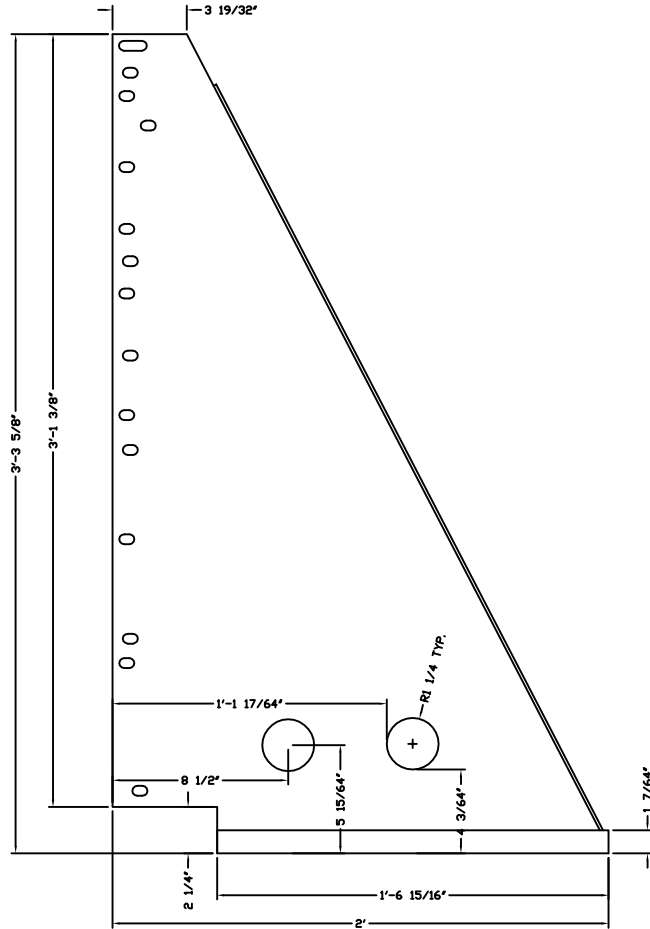
MEGNA
POOLS

Magna Plastic Packaging Corp.

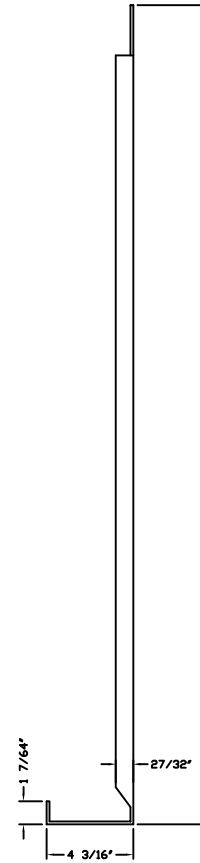
BUTTRESS

10 GA.

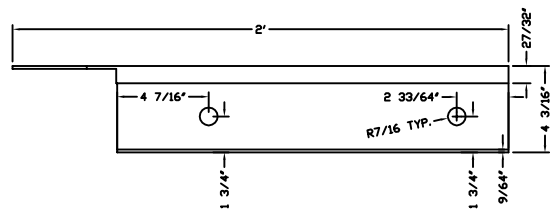
FRONT VIEW



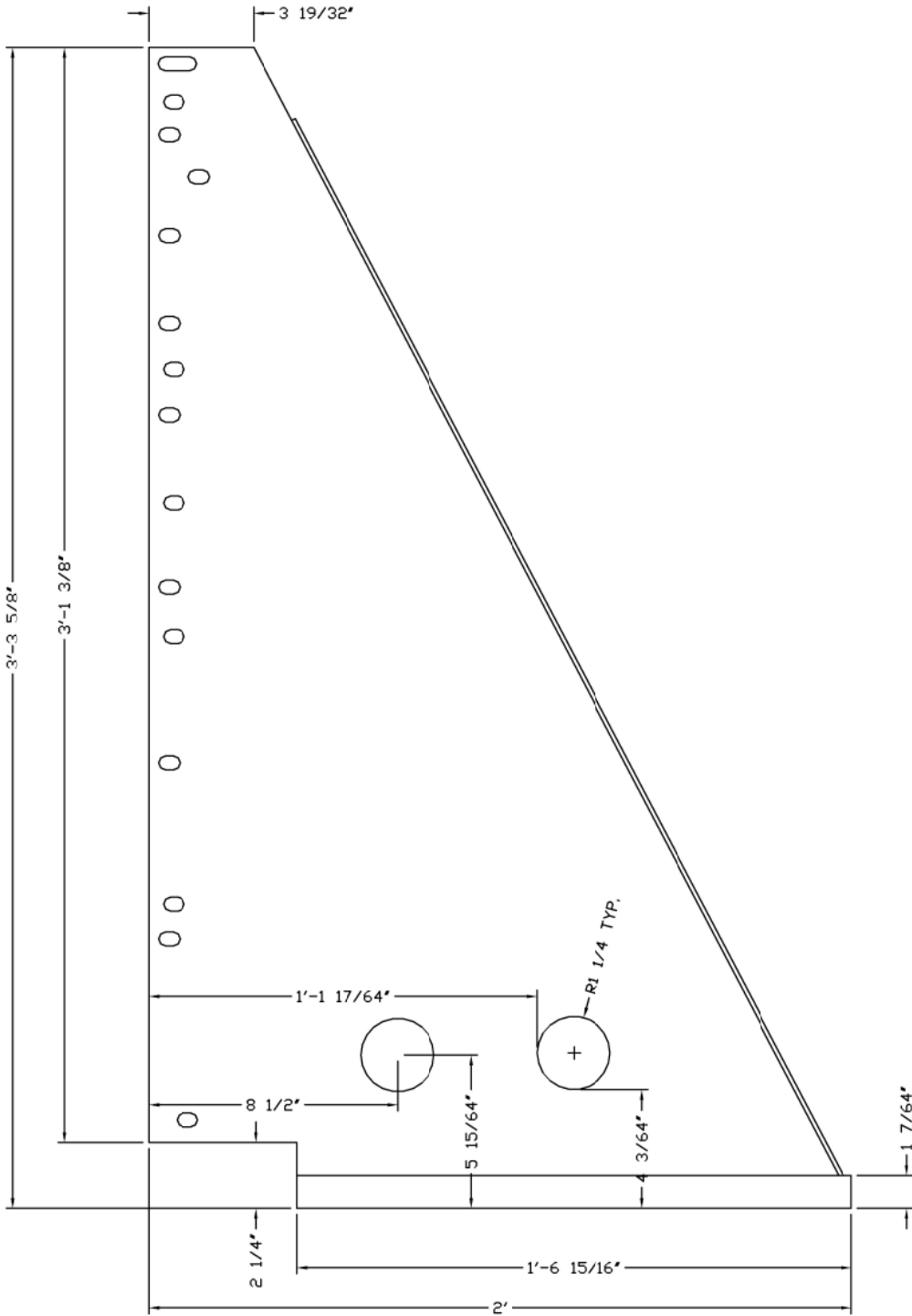
END VIEW



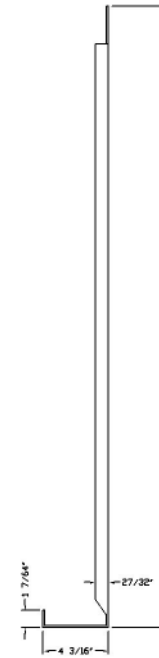
TOP VIEW



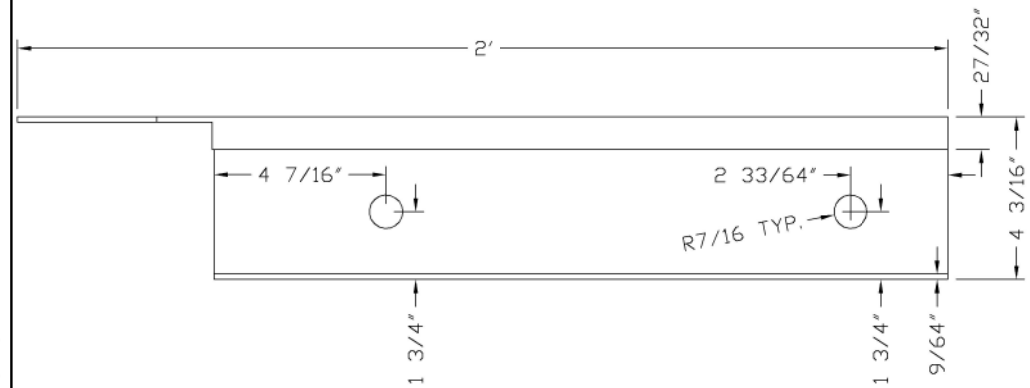
FRONT VIEW

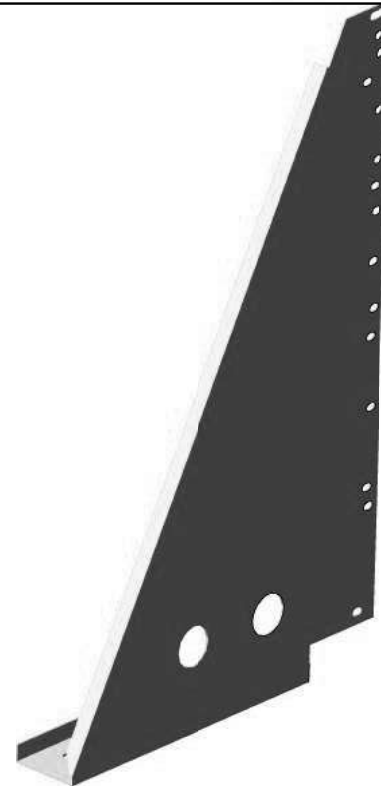
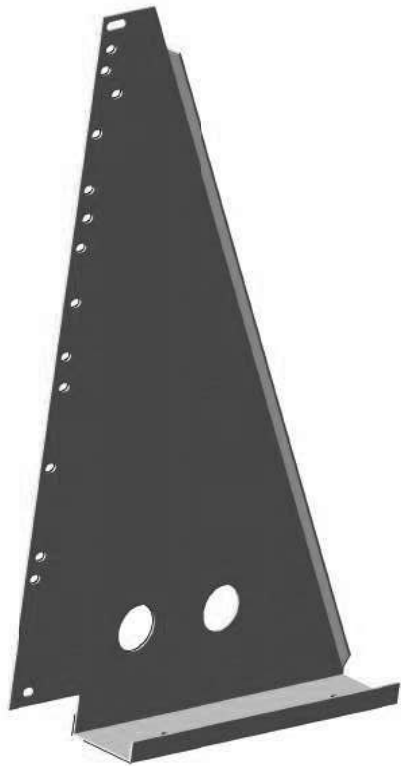
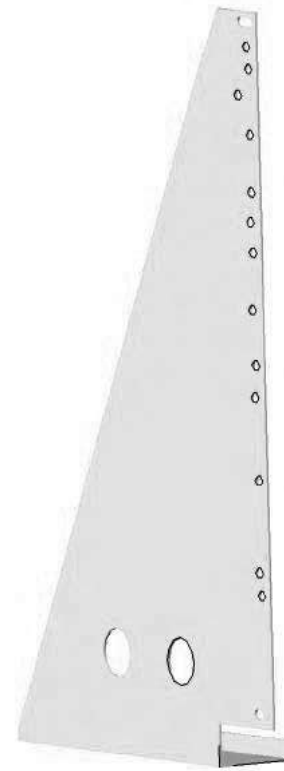
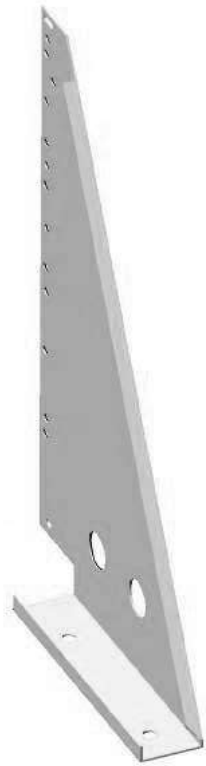


END VIEW



TOP VIEW







MEGNA
POOLS

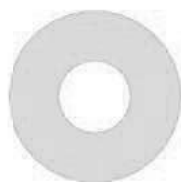
Magna Plastic Packaging Corp.

HARDWARE

2 - 18 1/16" BOLT



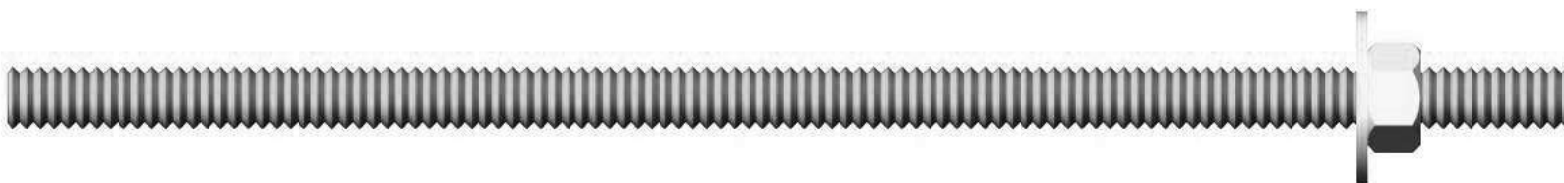
2 - WASHERS



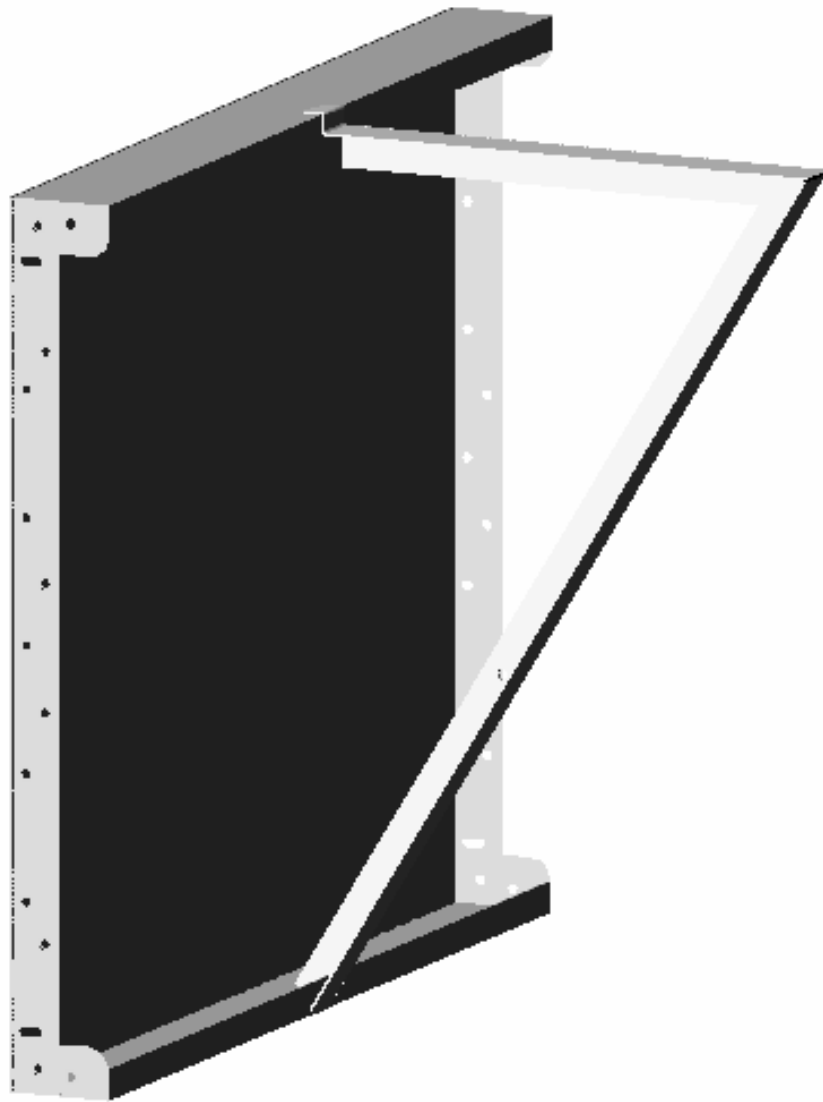
2 - NUTS

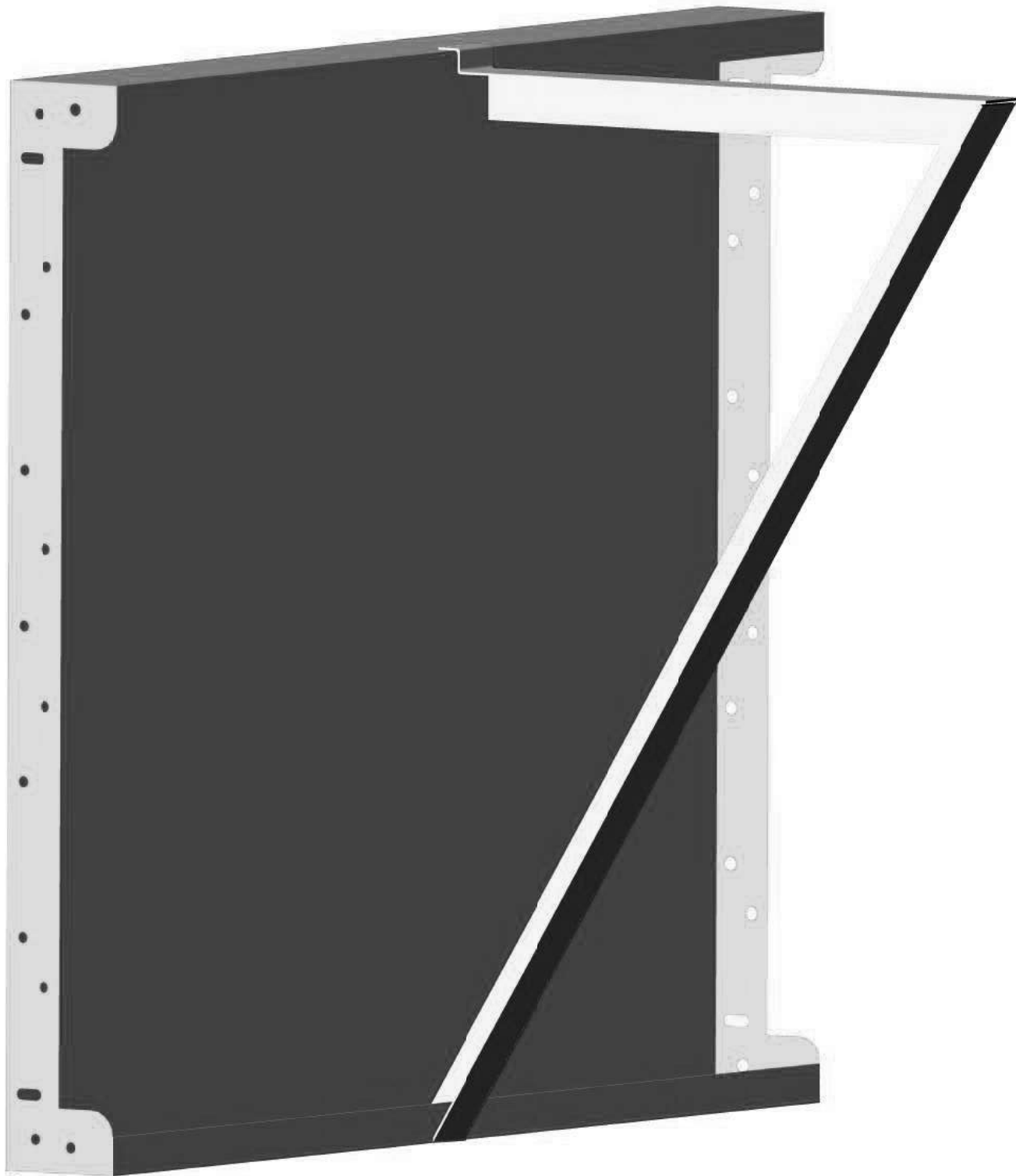


ASSMBLY



DECK SUPPORT 1 PIECE 12 GAUGE





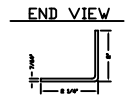


MEGNA
POOLS

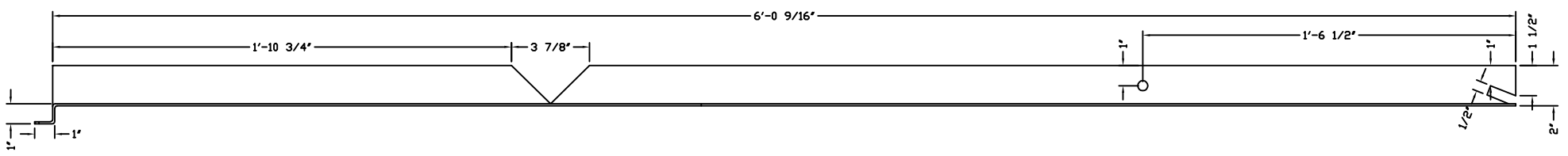
Magna Plastic Packaging Corp

DECK SUPPORT

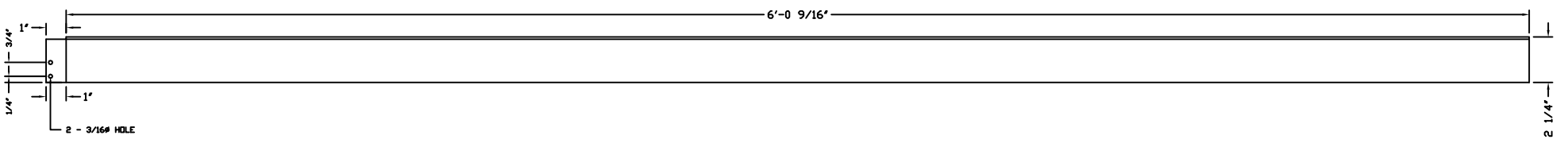
1-PIECE 12 GA.



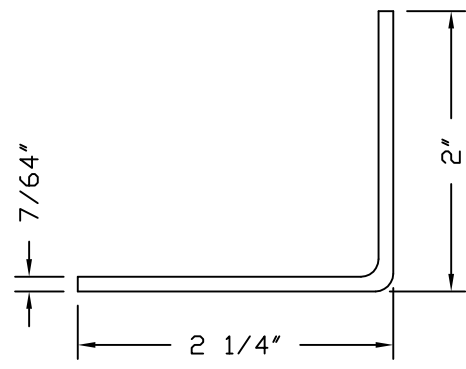
FRONT VIEW



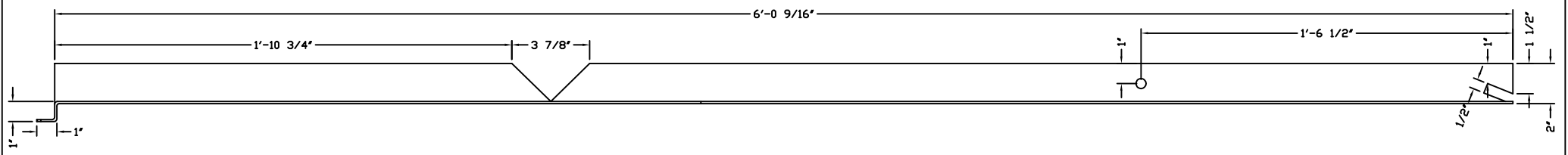
TOP VIEW



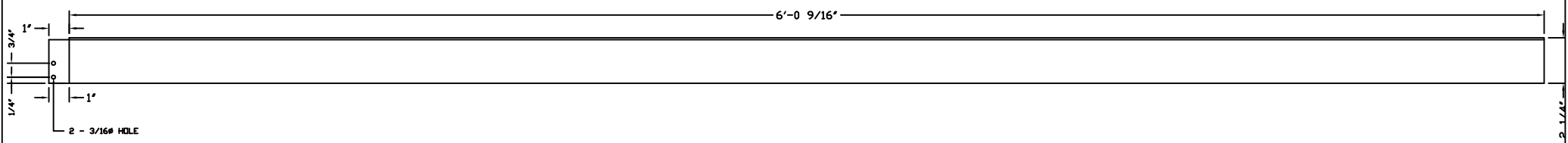
END VIEW

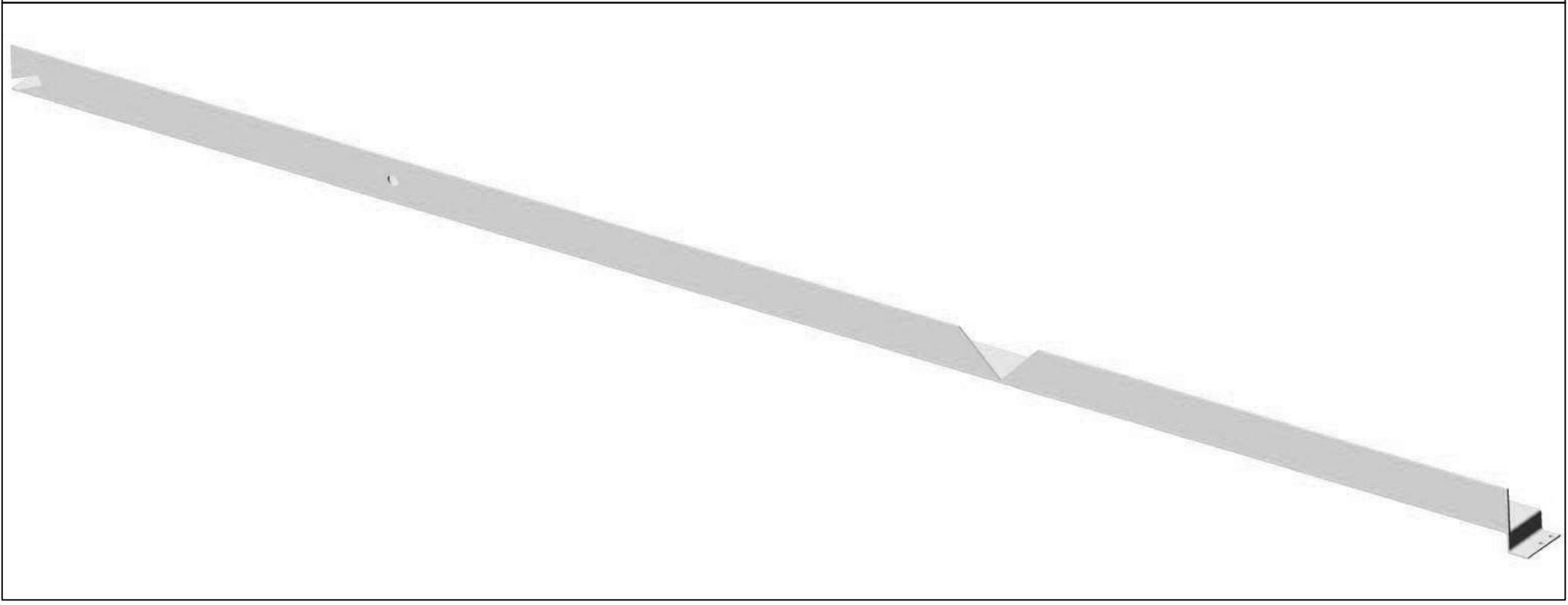
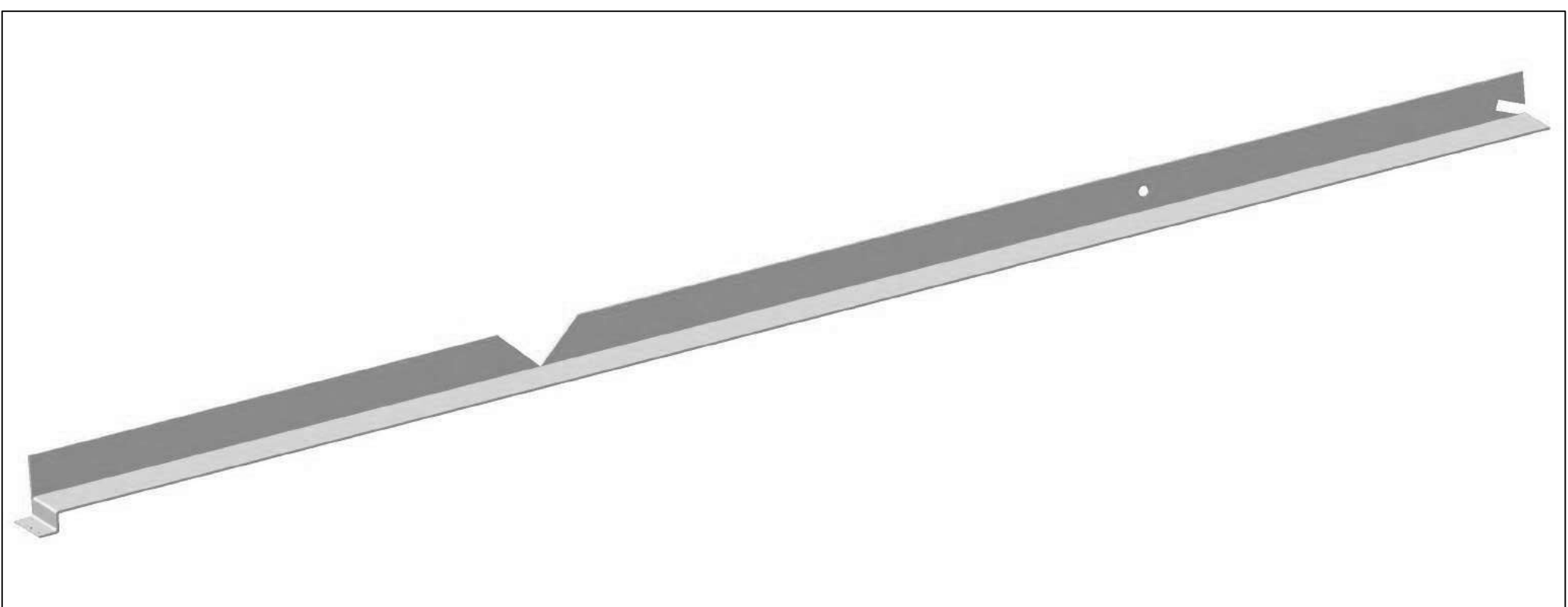


FRONT VIEW

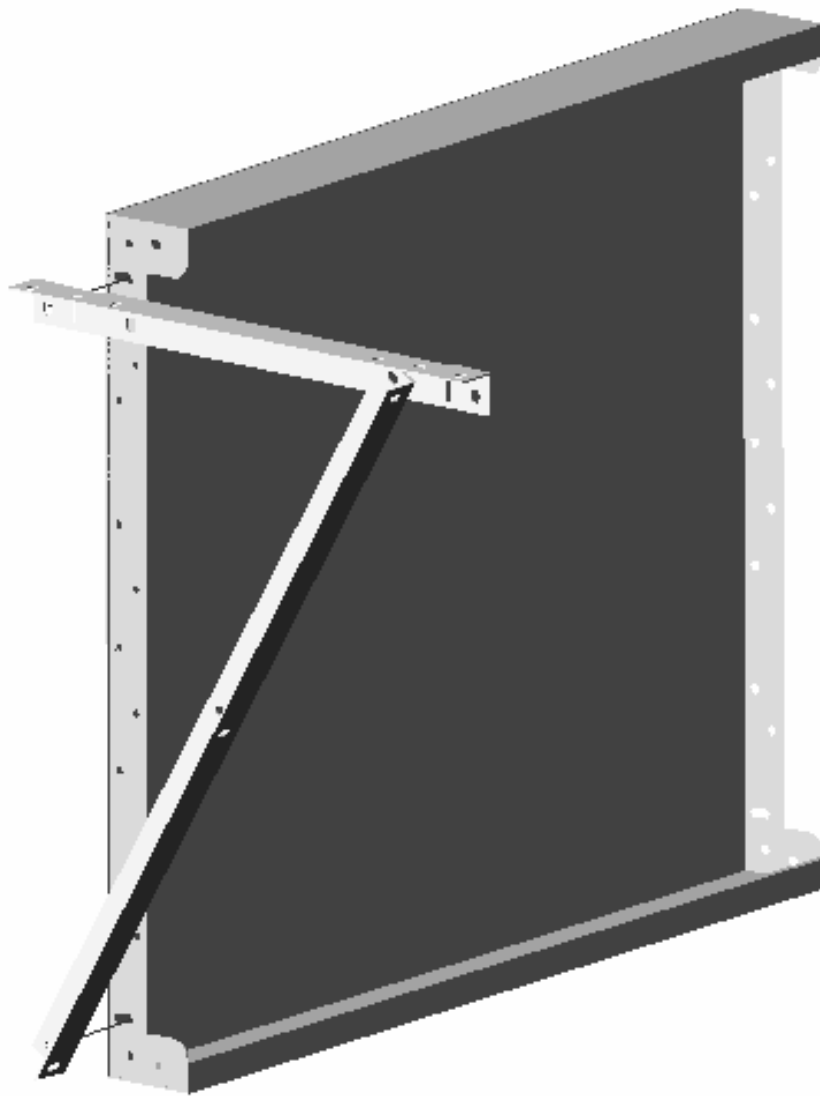


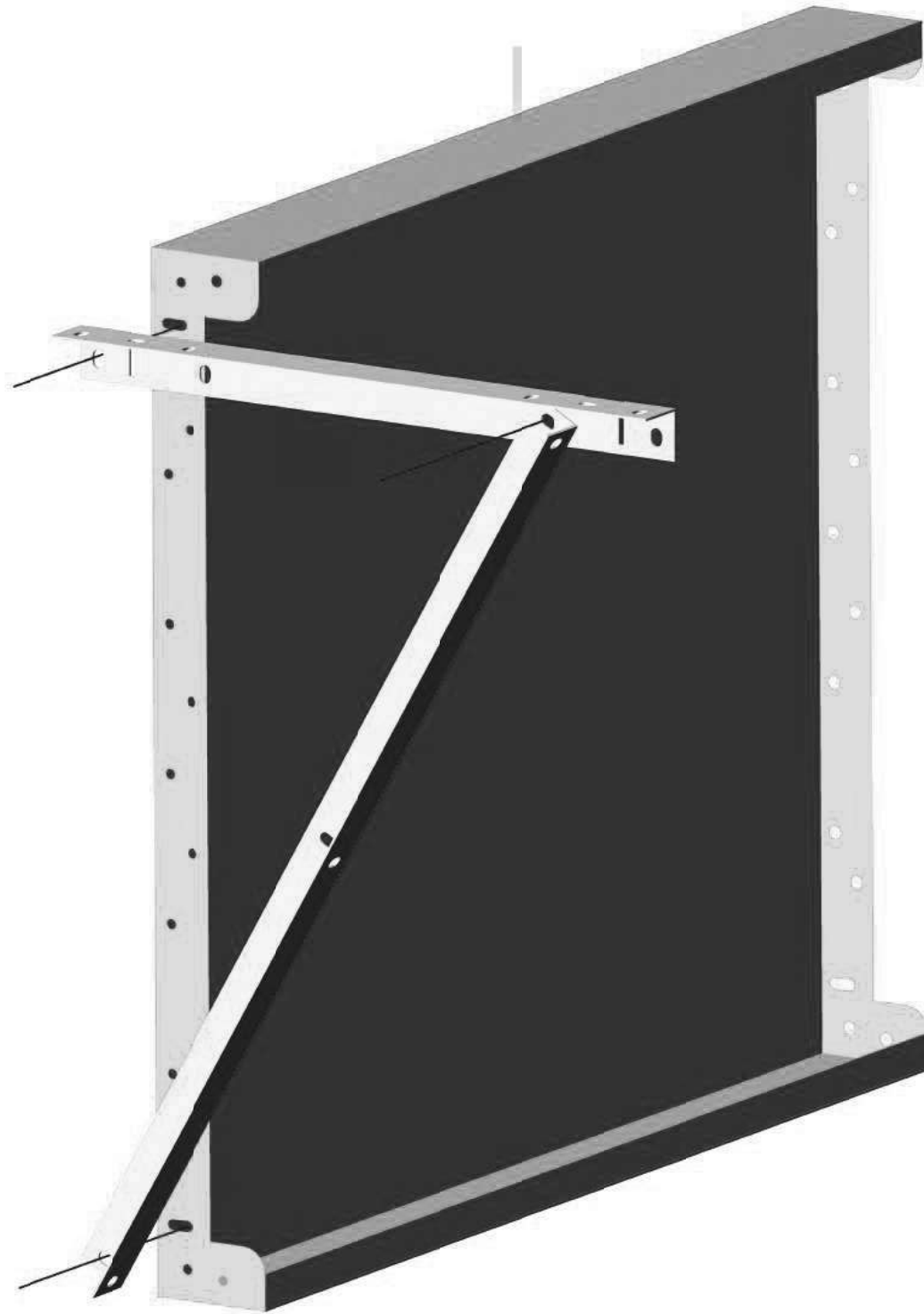
TOP VIEW





DECK SUPPORT 2 PIECE 12 GAUGE



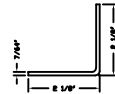


A-FRAME

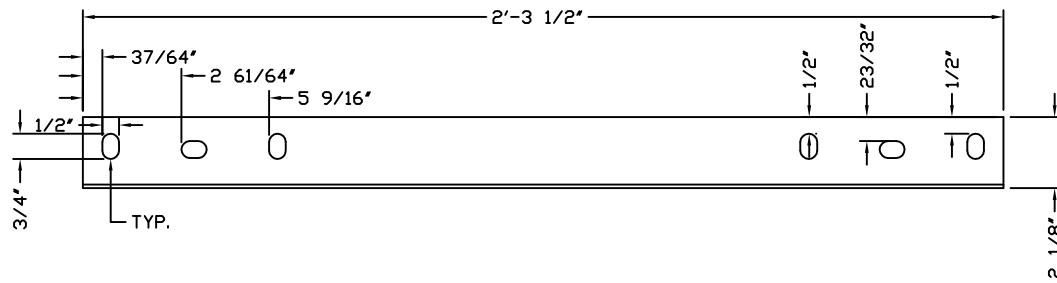
2-PIECE 12 GA.

SHORT PIECE

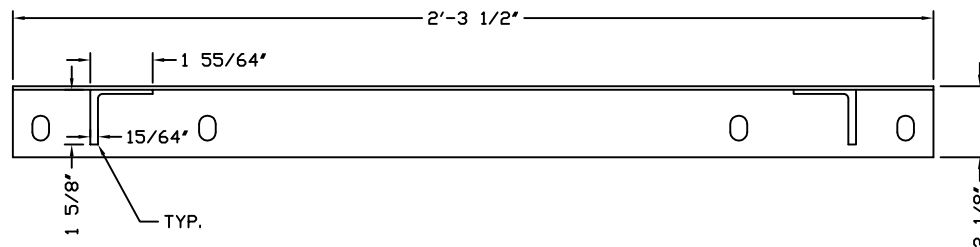
END VIEW



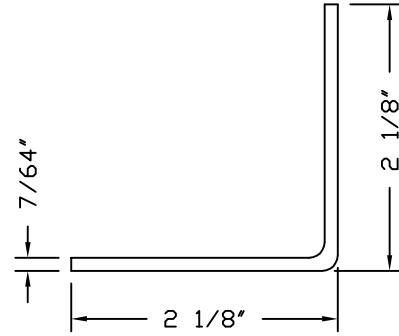
FRONT VIEW



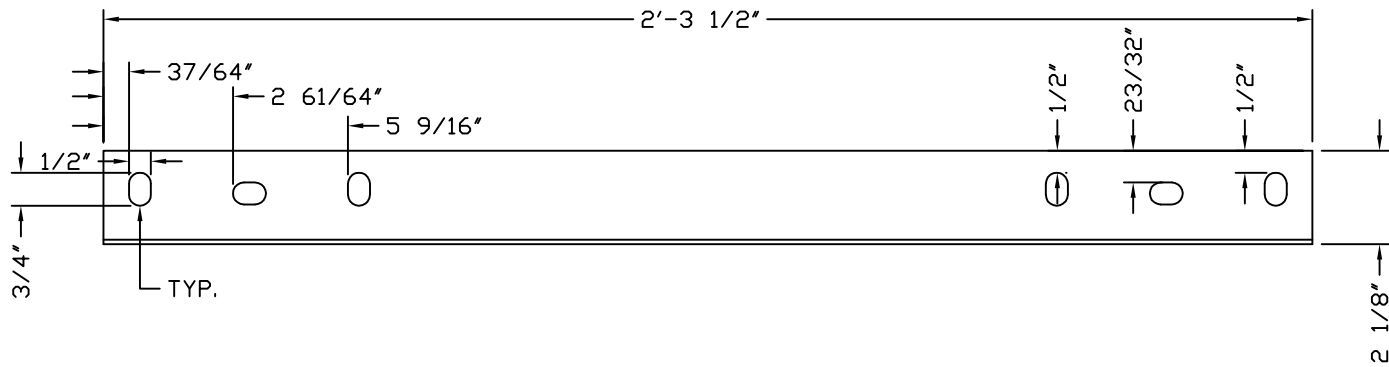
TOP VIEW



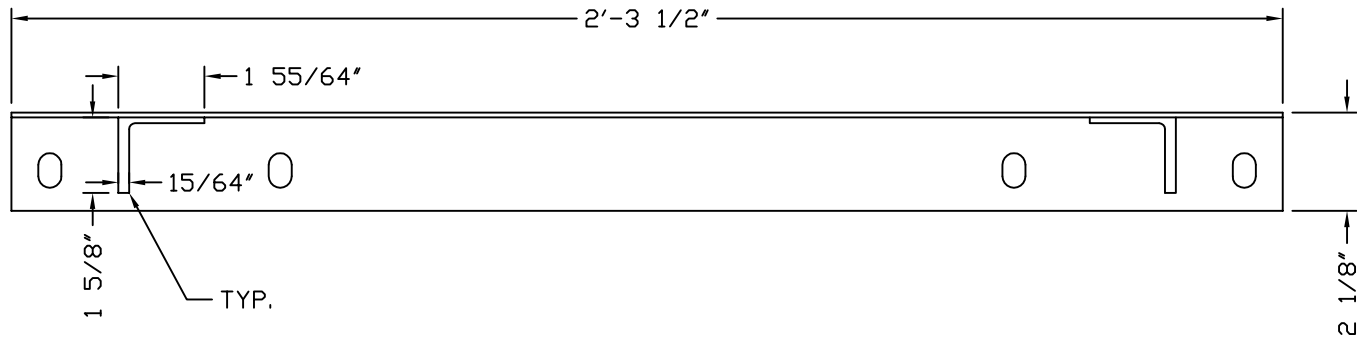
END VIEW

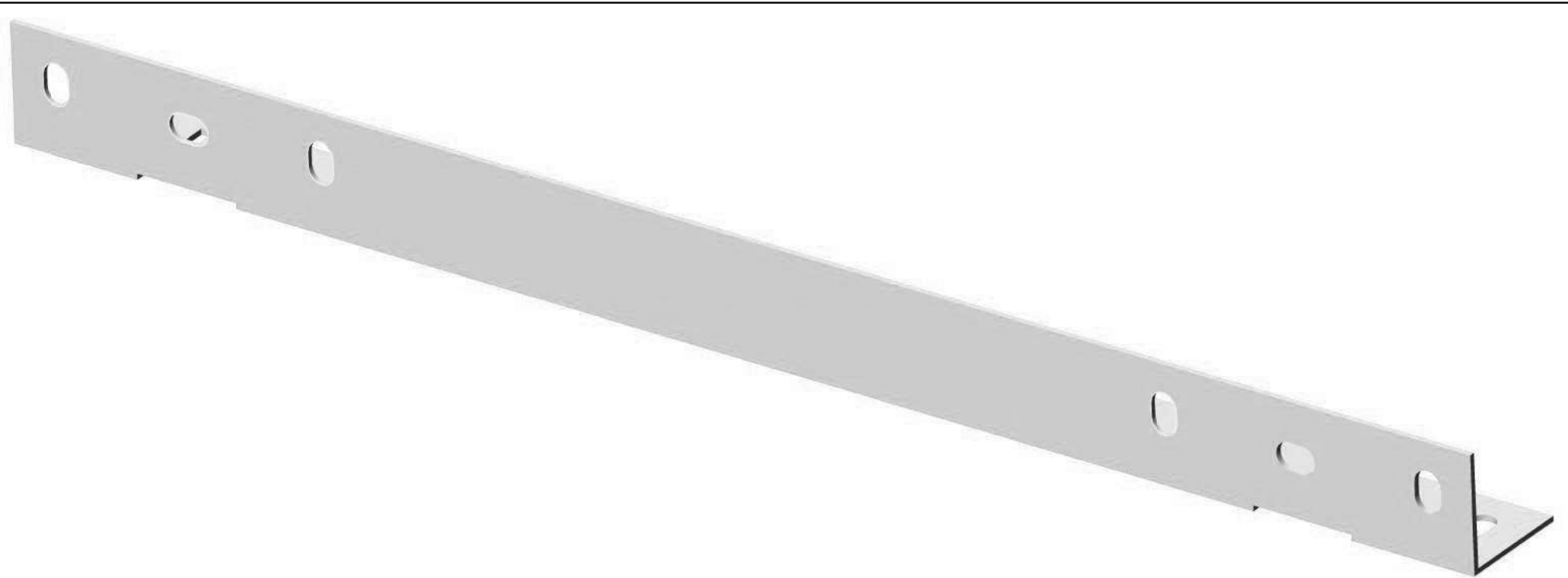
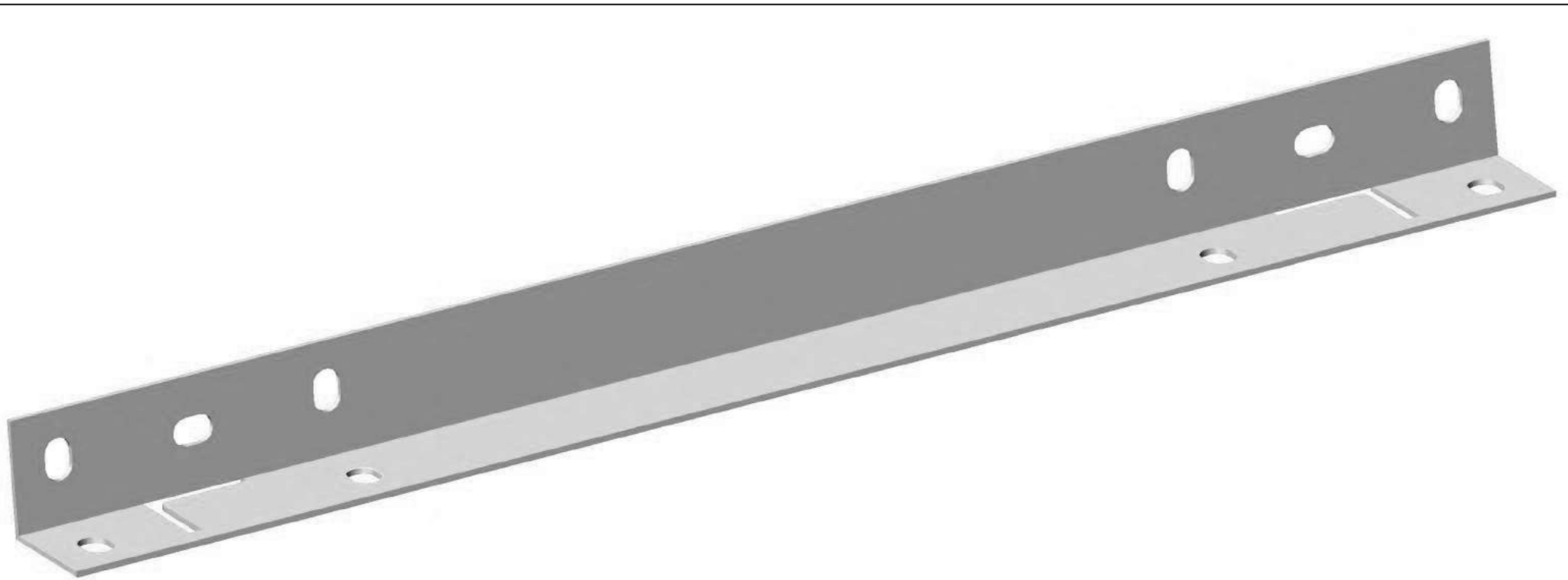


FRONT VIEW



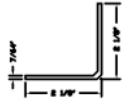
TOP VIEW



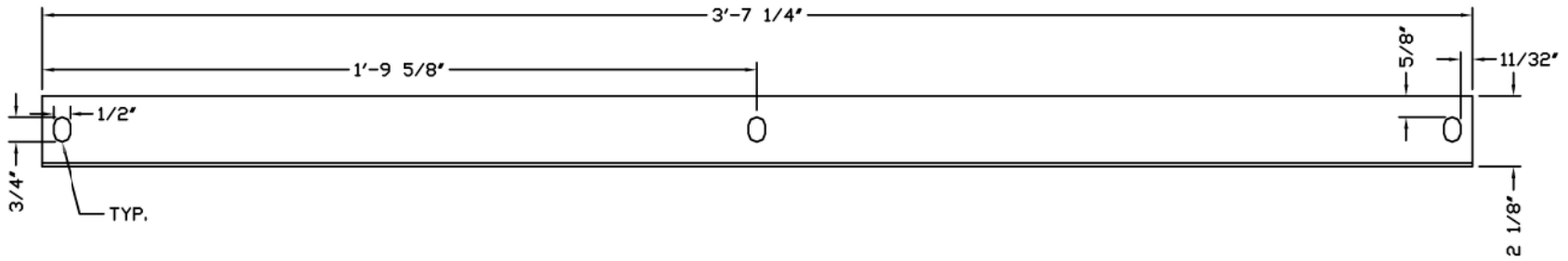


A-FRAME
2-PIECE 12 GA.
LONG PIECE

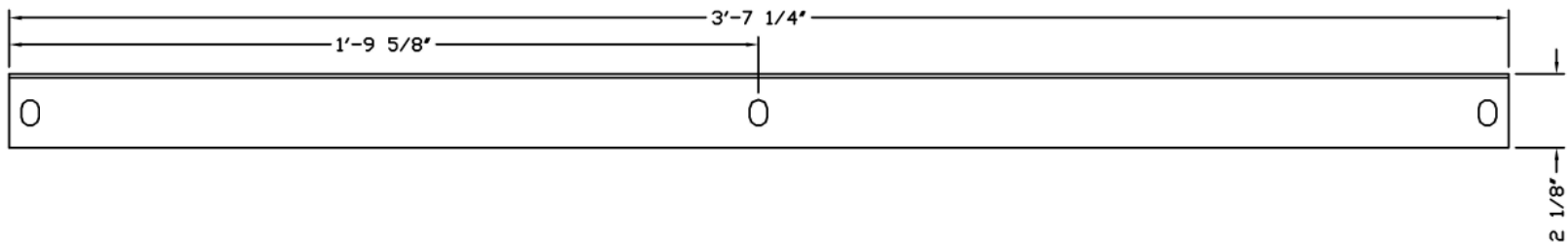
END VIEW



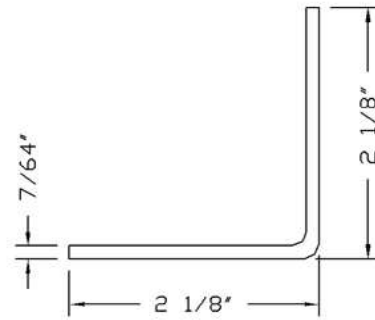
FRONT VIEW



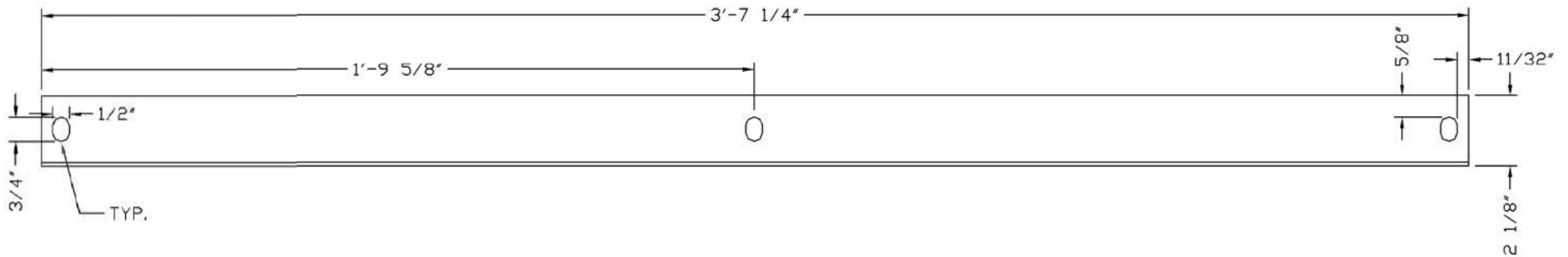
TOP VIEW



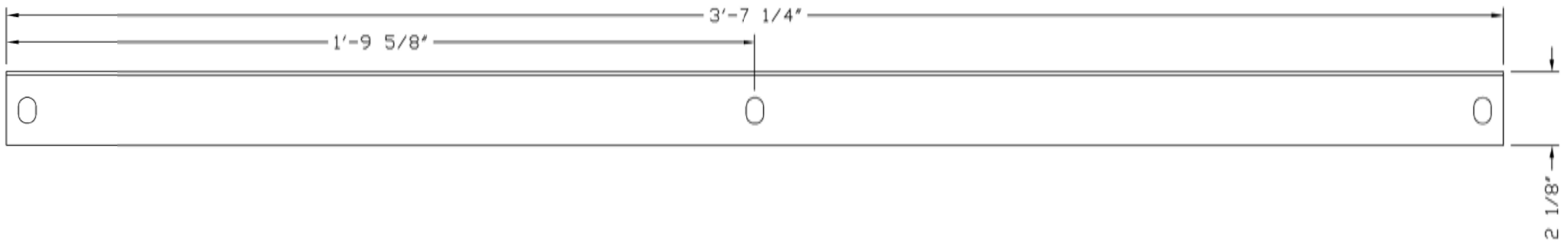
END VIEW

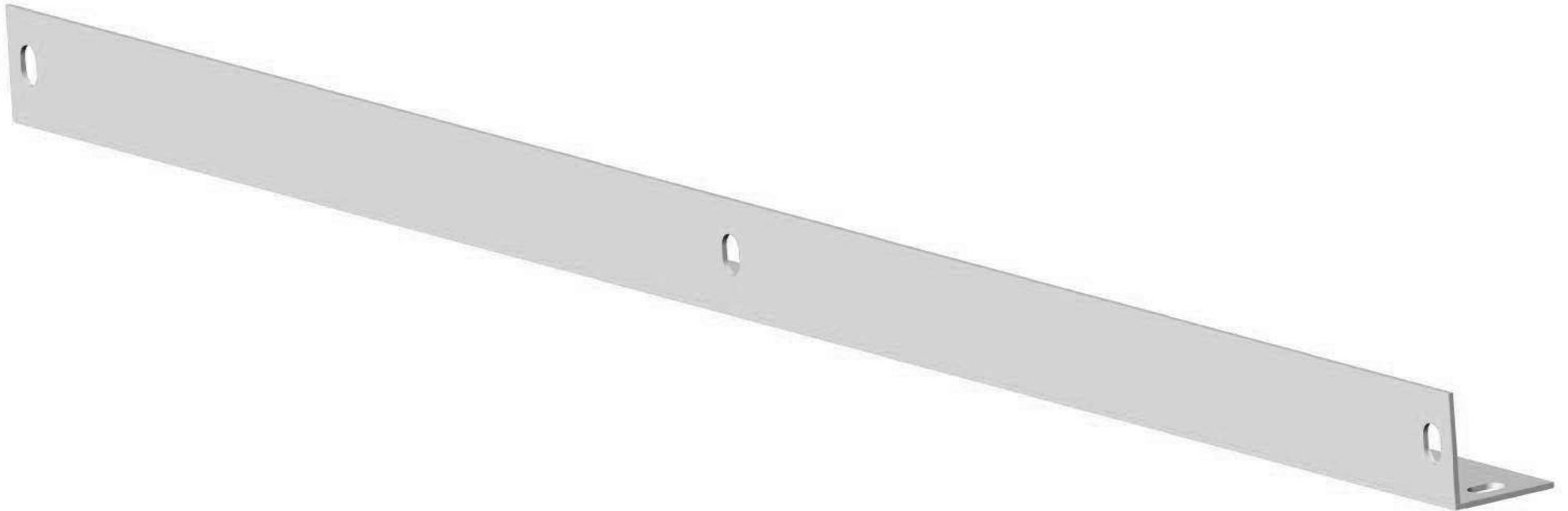
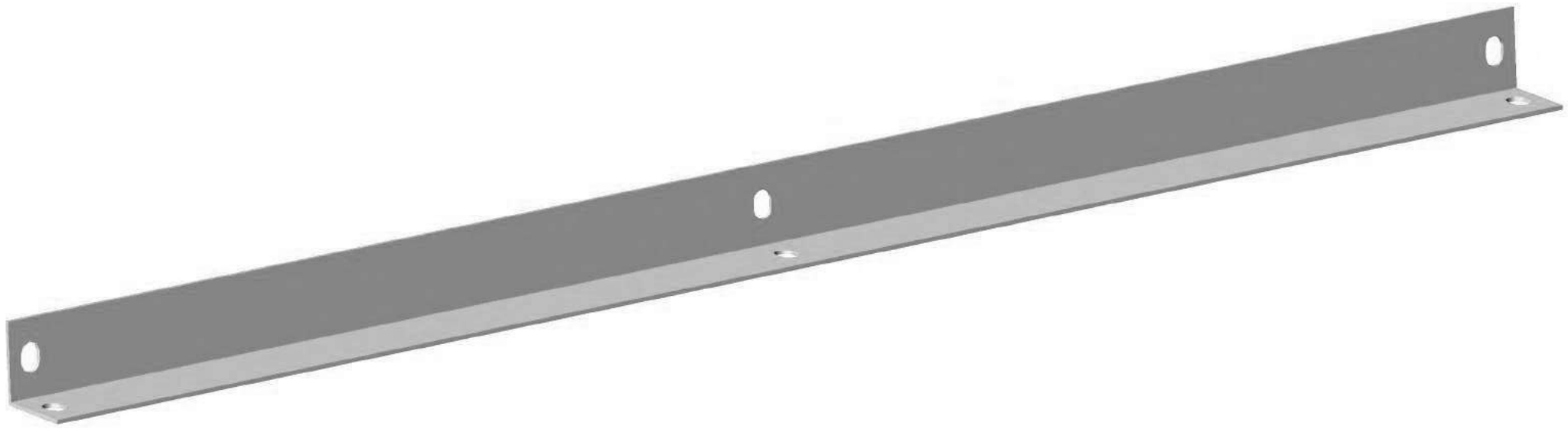


FRONT VIEW

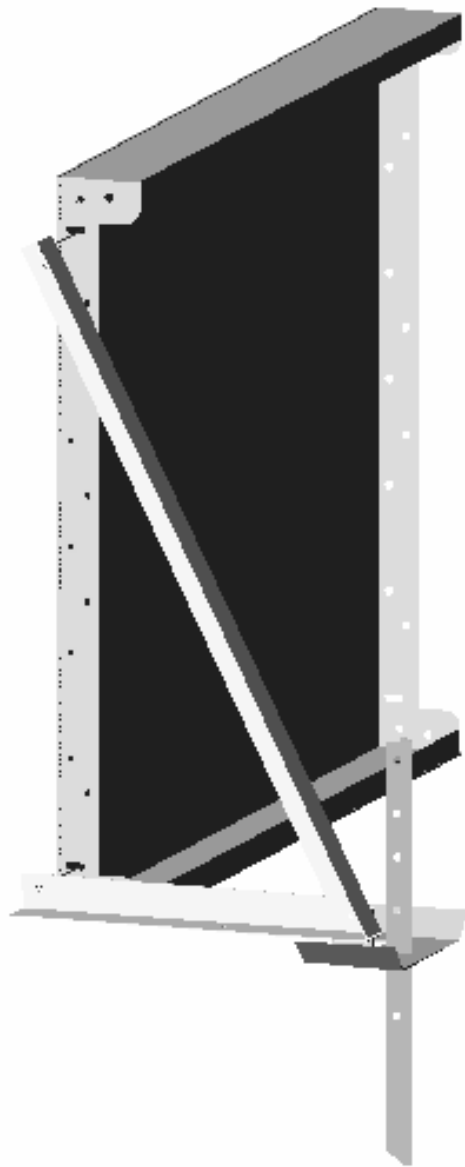


TOP VIEW





GROUND STAKE BEARING PLATE







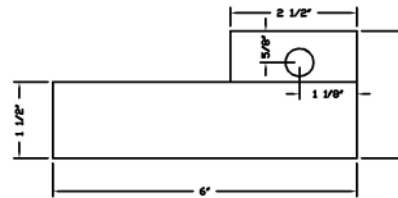
MEGNA
POOLS

Magna Plastic Packaging Corp.

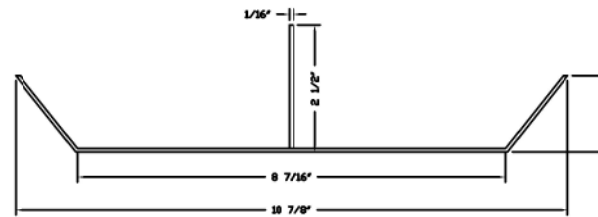
BEARING PLATE

SHOWN WITH 1PC 12 GA. A-FRAME

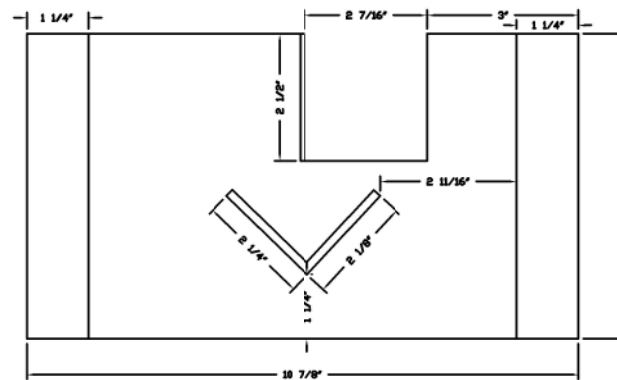
END VIEW



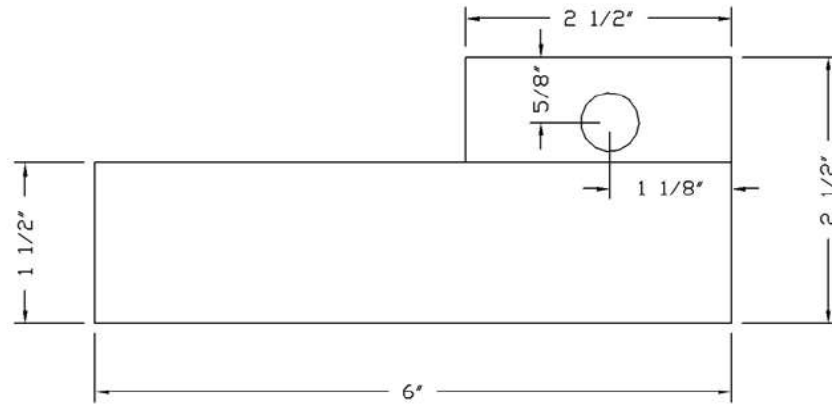
FRONT VIEW



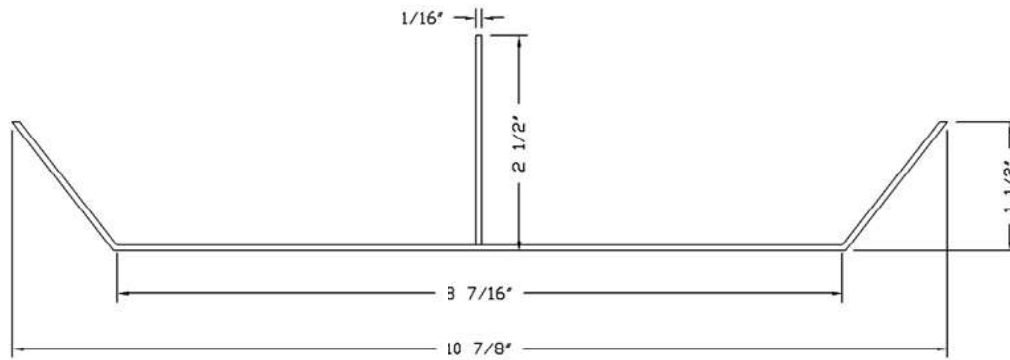
TOP VIEW



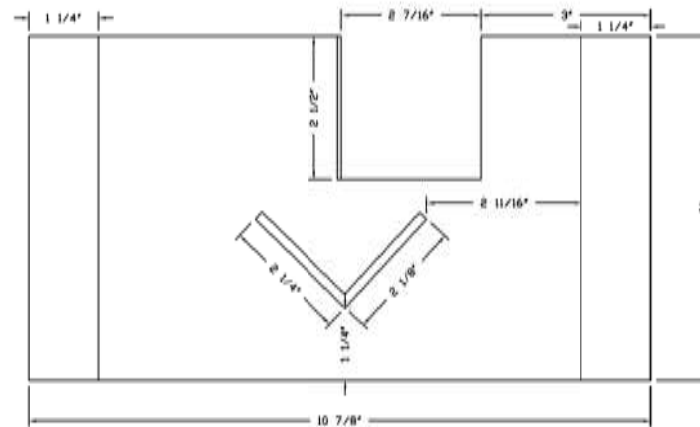
END VIEW

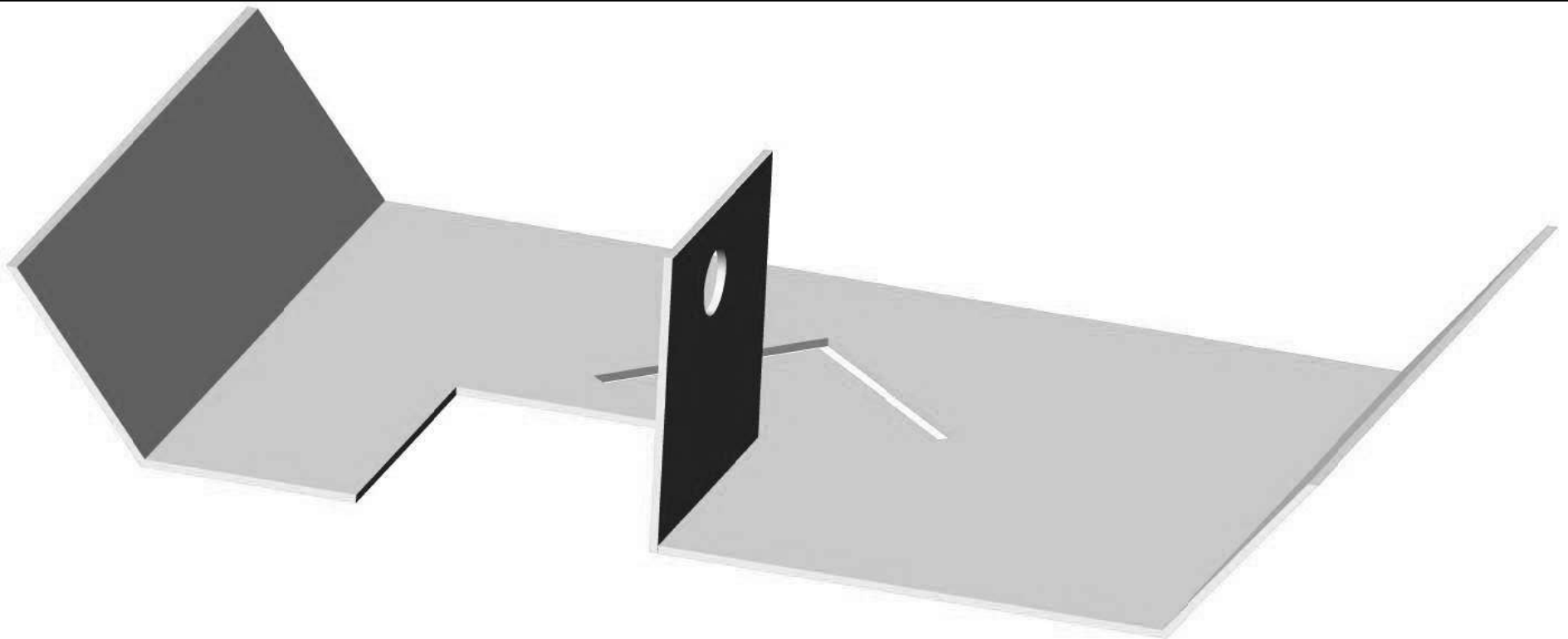
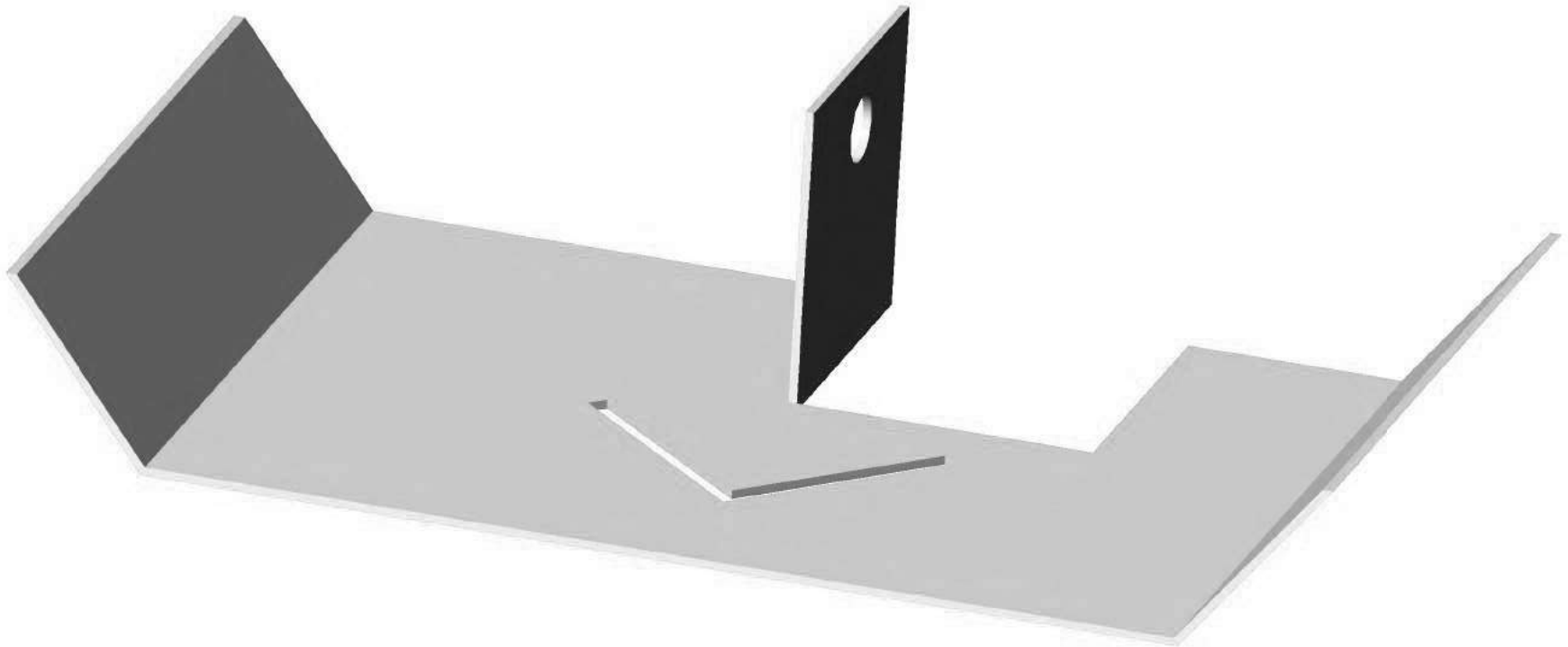


FRONT VIEW



TOP VIEW







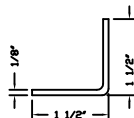
MEGNA
POOLS

Magna Plastic Packaging Corp.

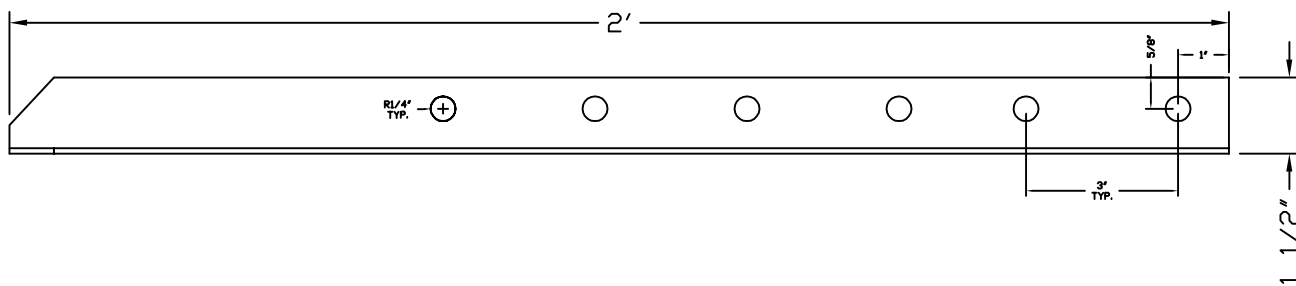
GROUND STAKE & BEARING PLATE

SHOWN WITH 1PC 12 GA. A-FRAME

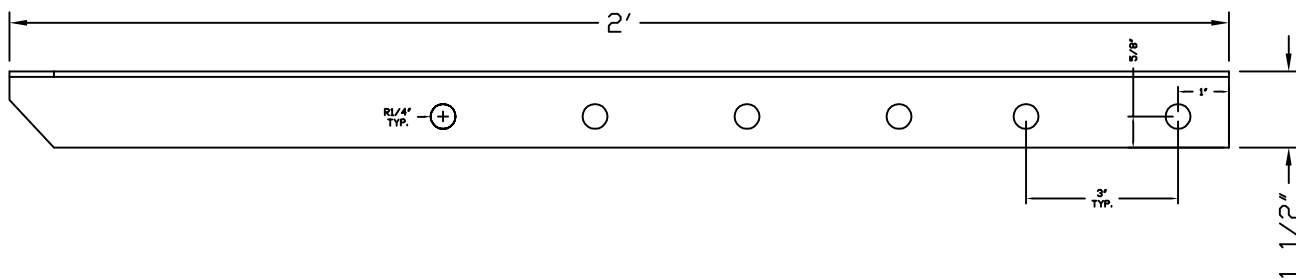
END VIEW



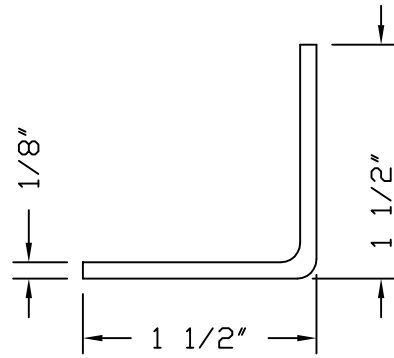
FRONT VIEW



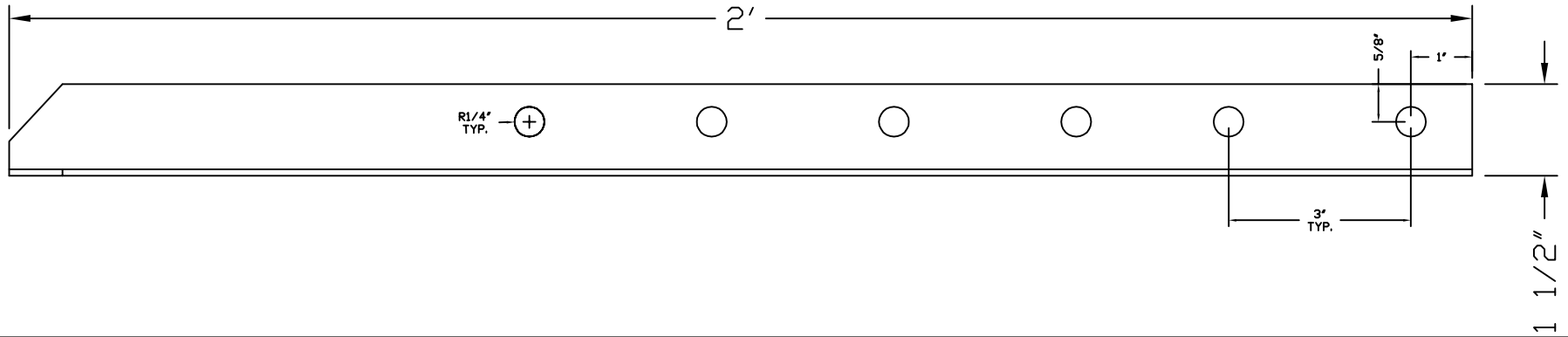
TOP VIEW



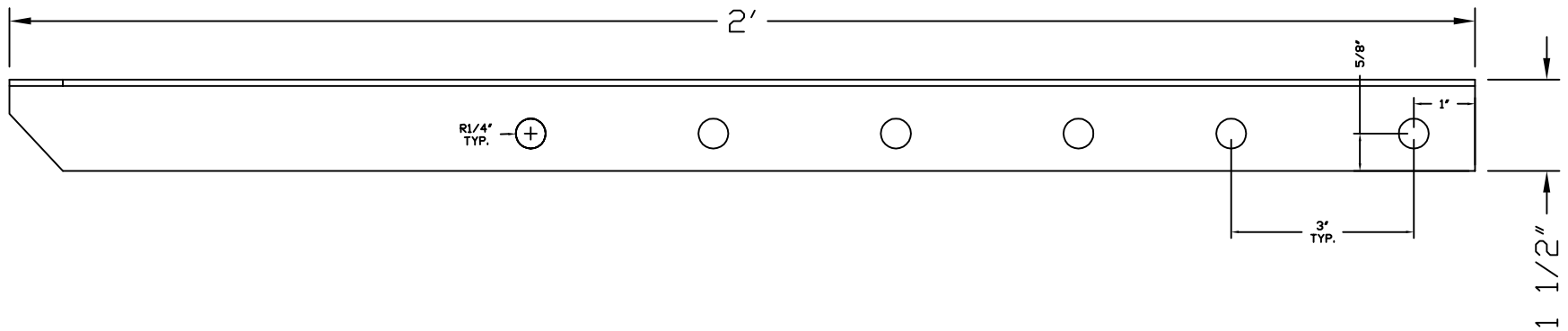
END VIEW

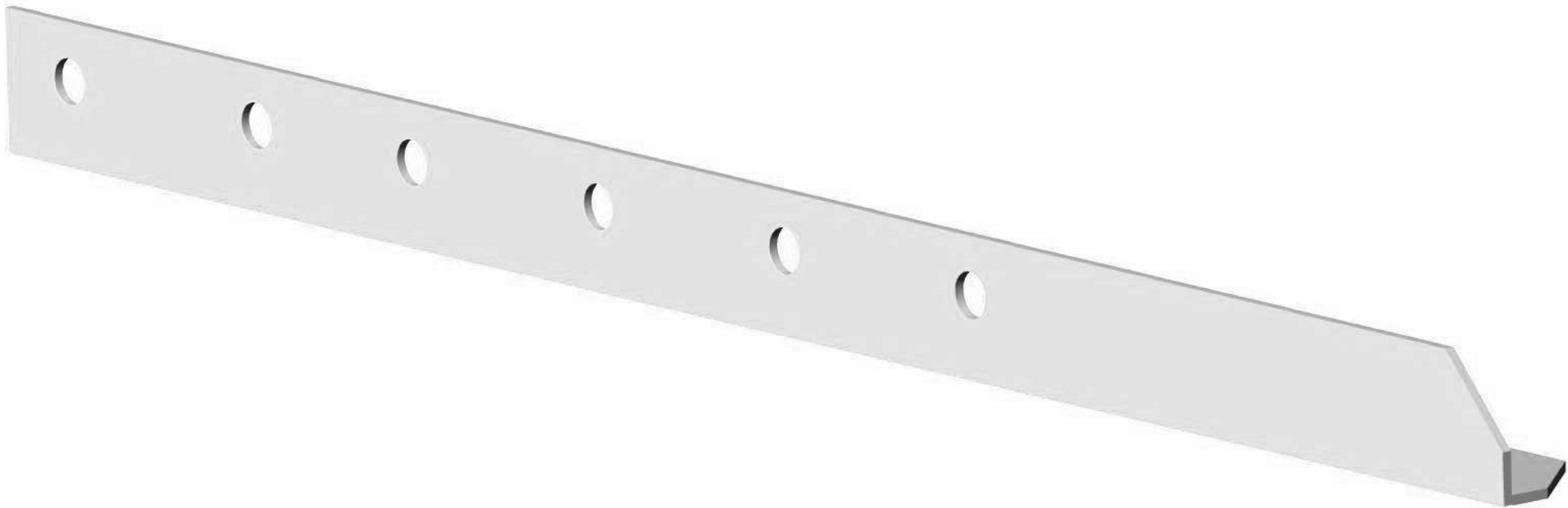


FRONT VIEW

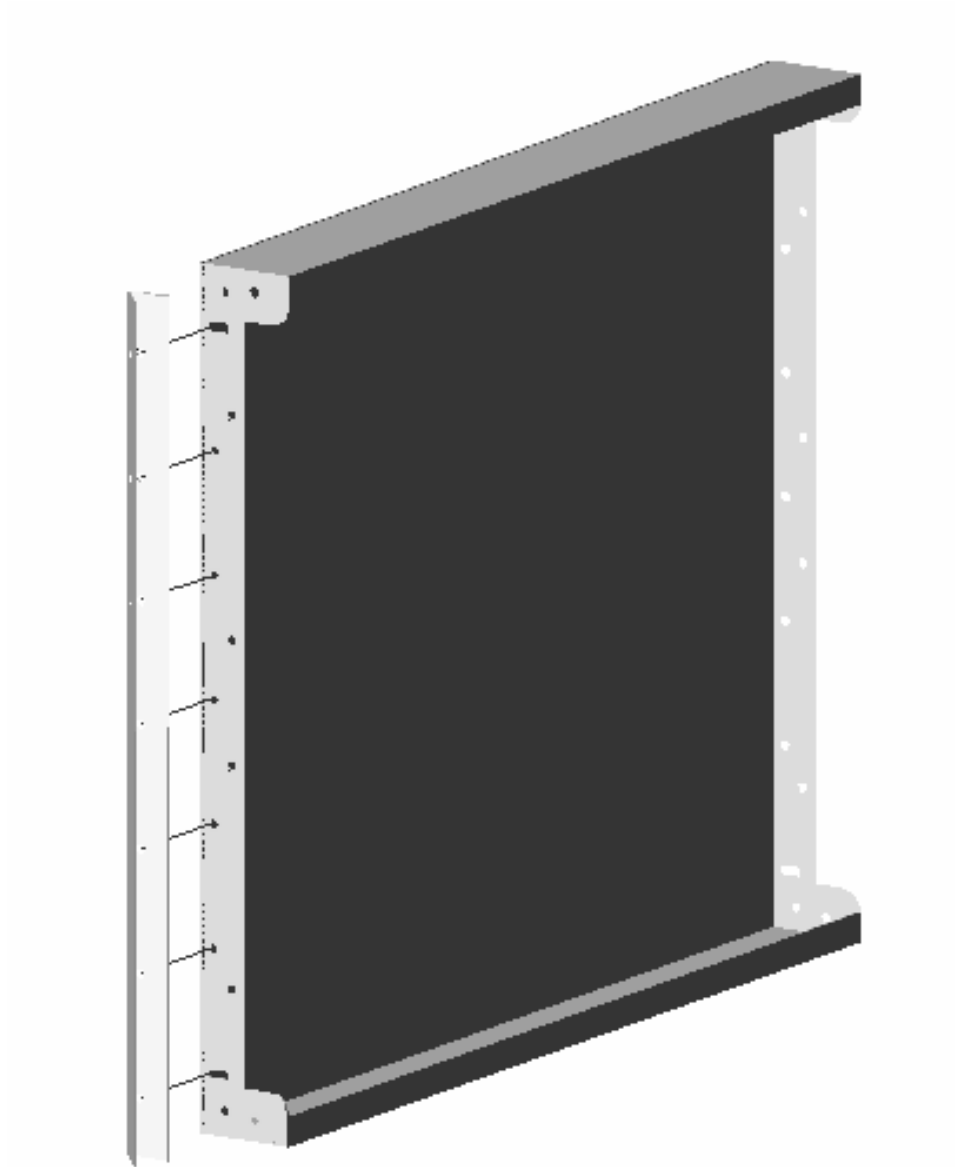


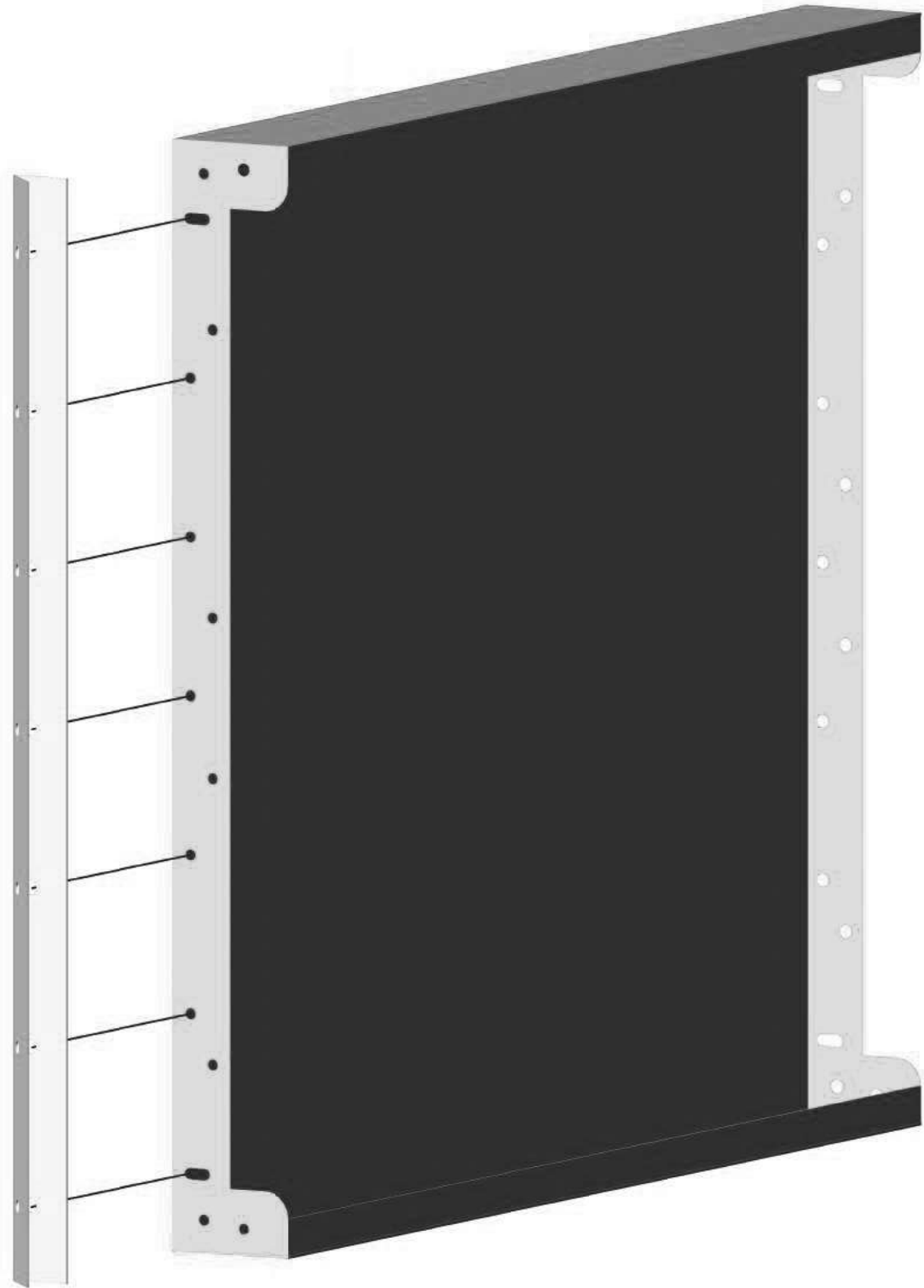
TOP VIEW





OUTSIDE CORNER 45 DEG

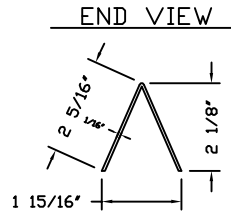




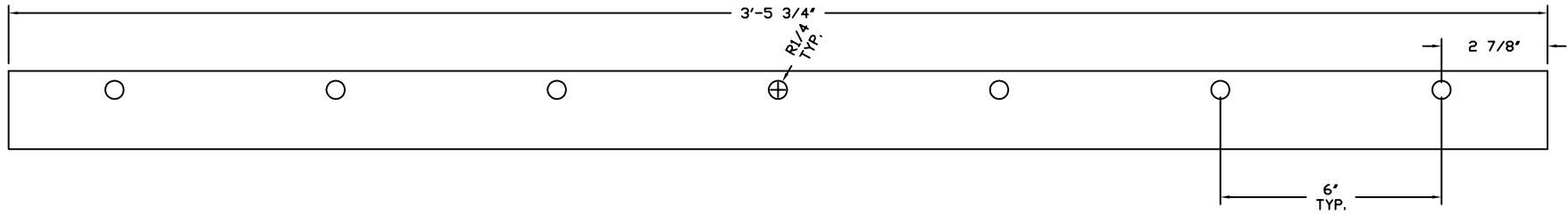


OUTSIDE CORNER

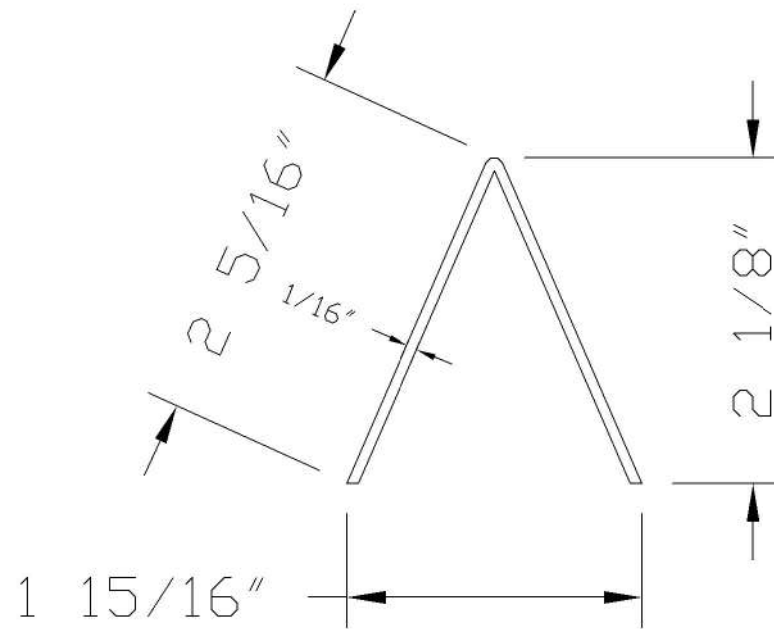
45 DEGREES



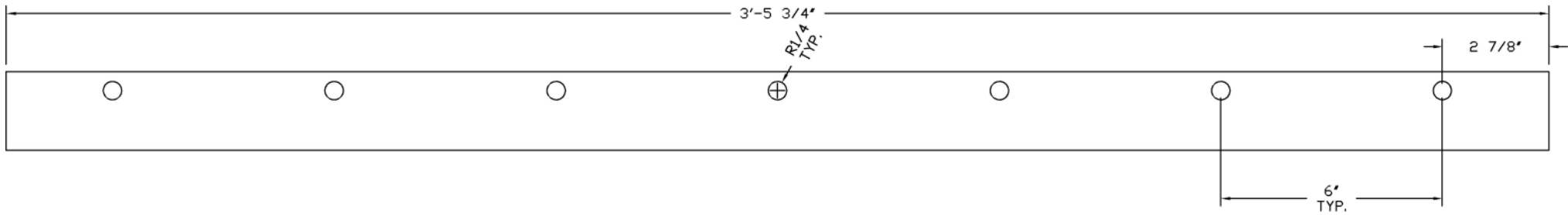
FRONT VIEW

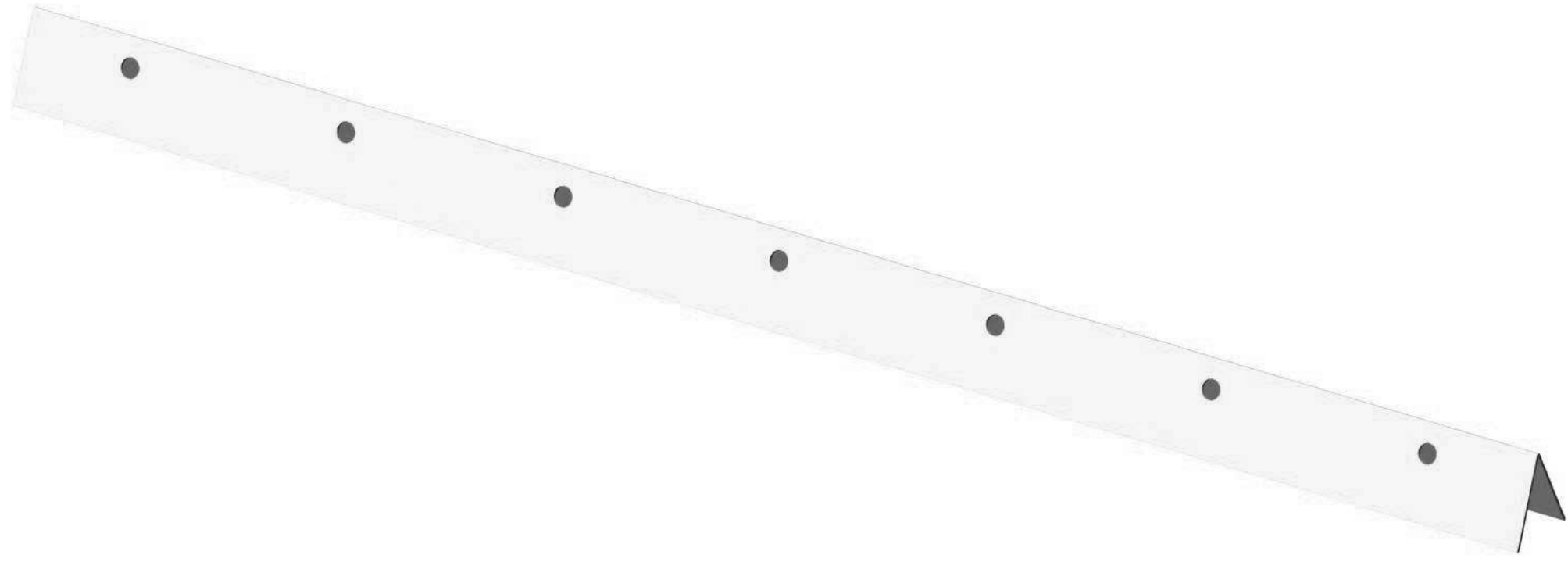
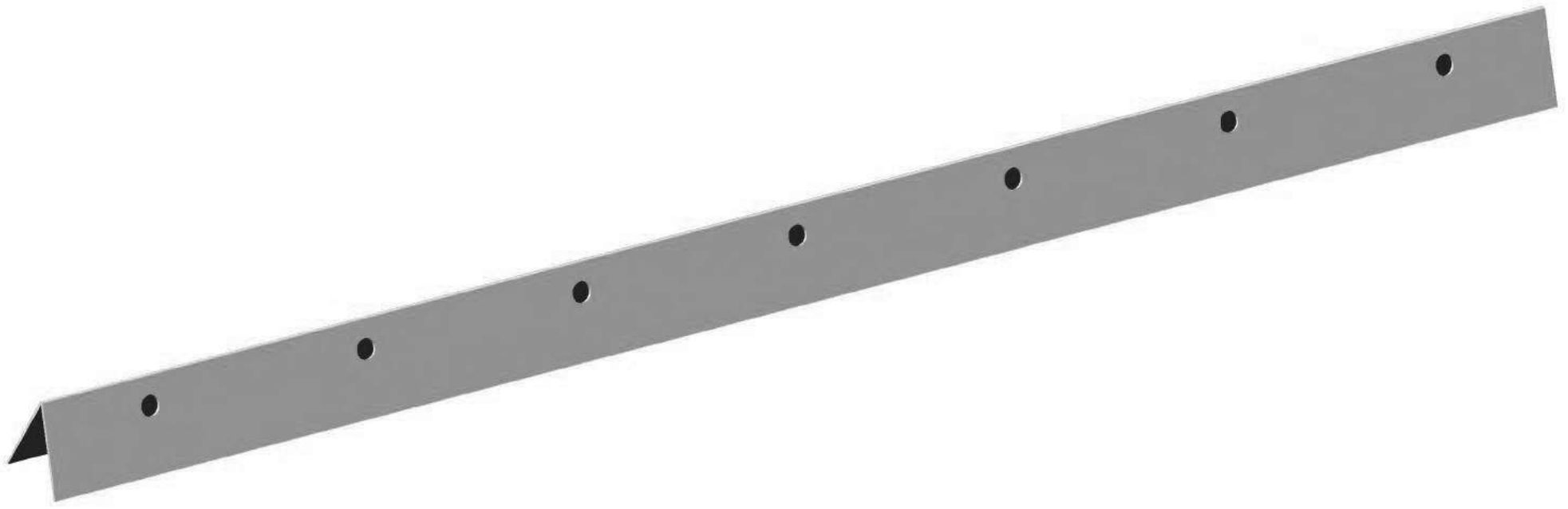


END VIEW

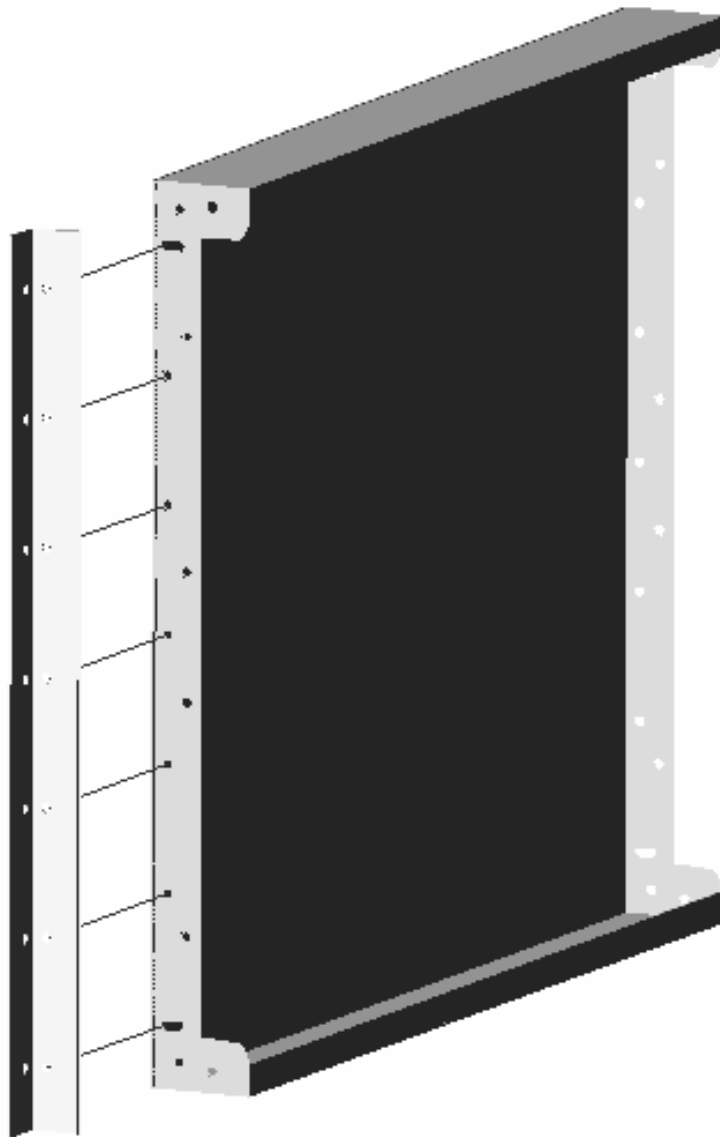


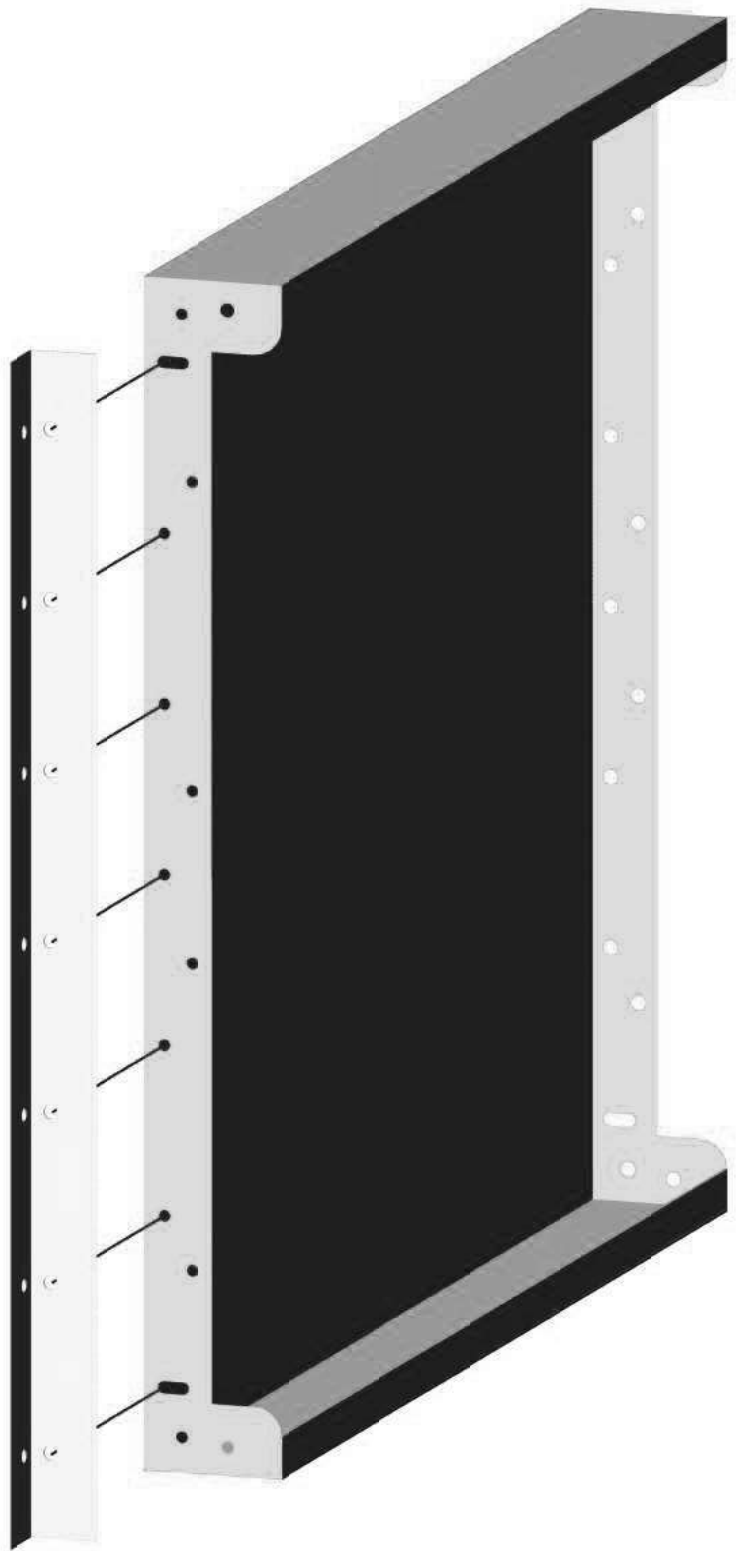
FRONT VIEW





OUTSIDE CORNER 90 DEG



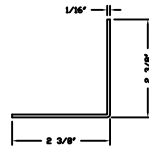




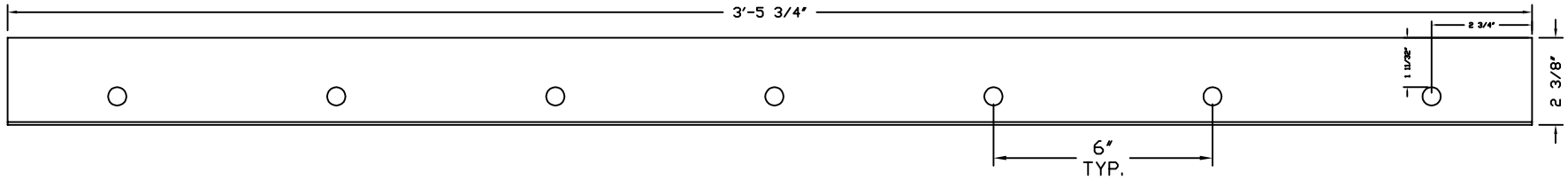
OUTSIDE CORNER

45 DEGREES

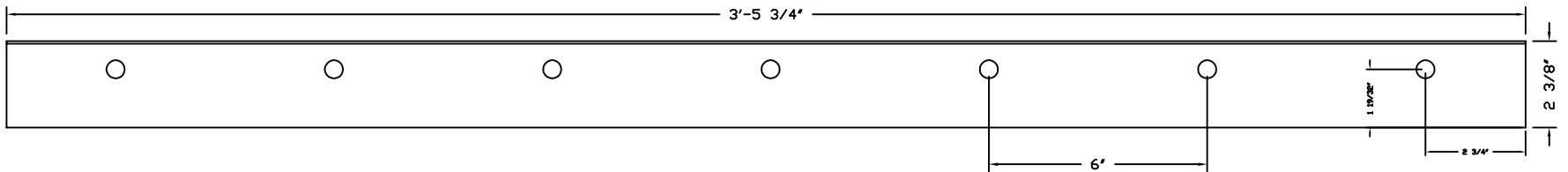
END VIEW



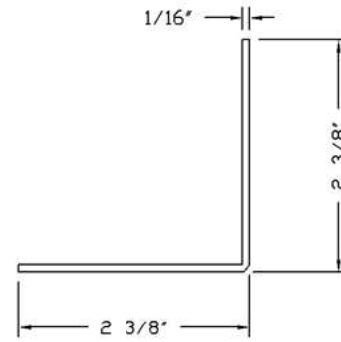
FRONT VIEW



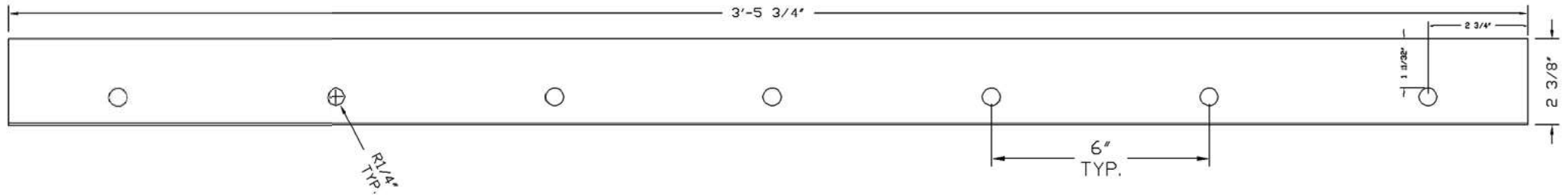
TOP VIEW



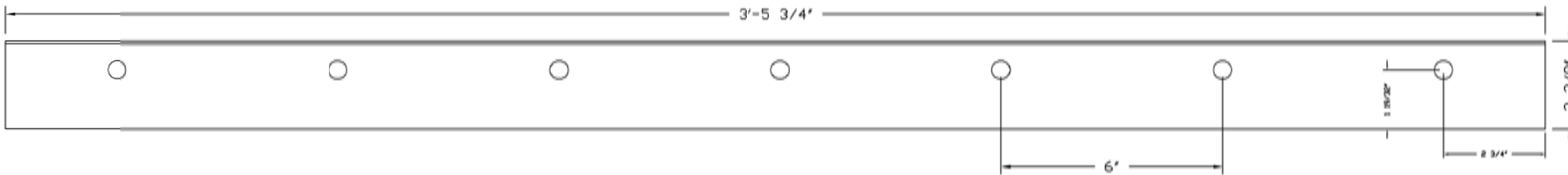
END VIEW

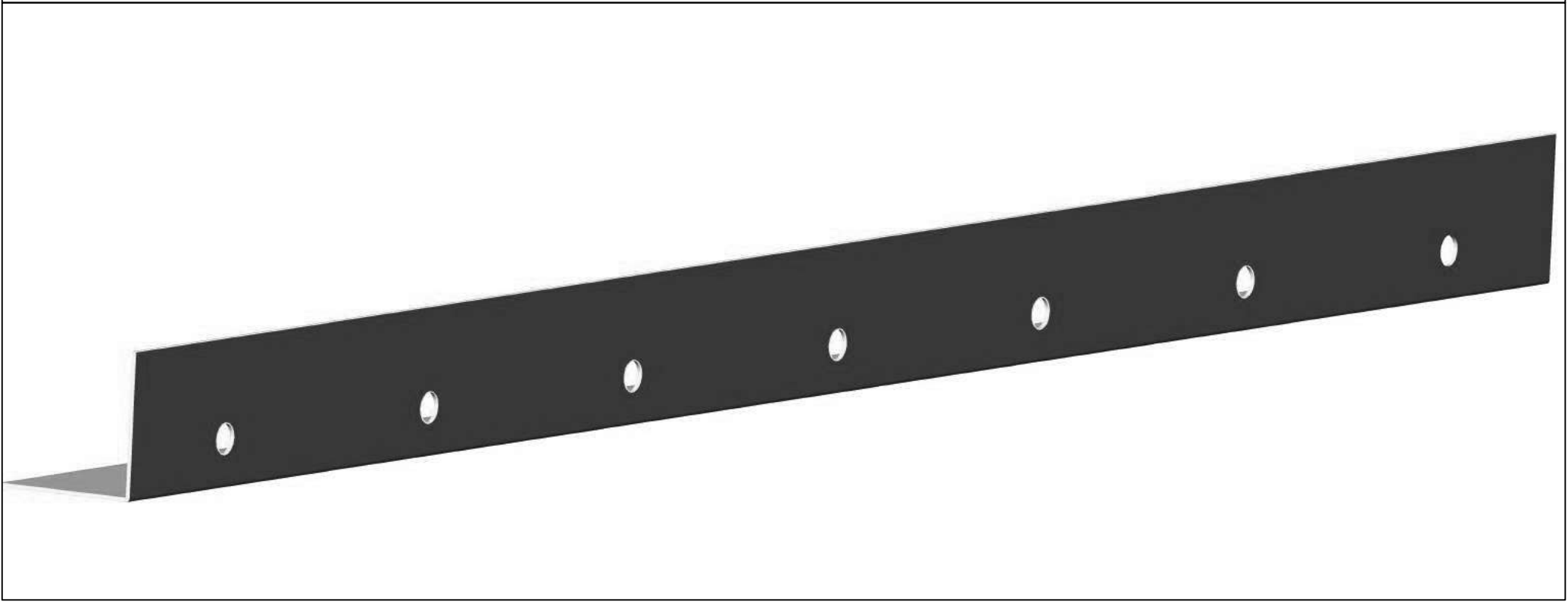
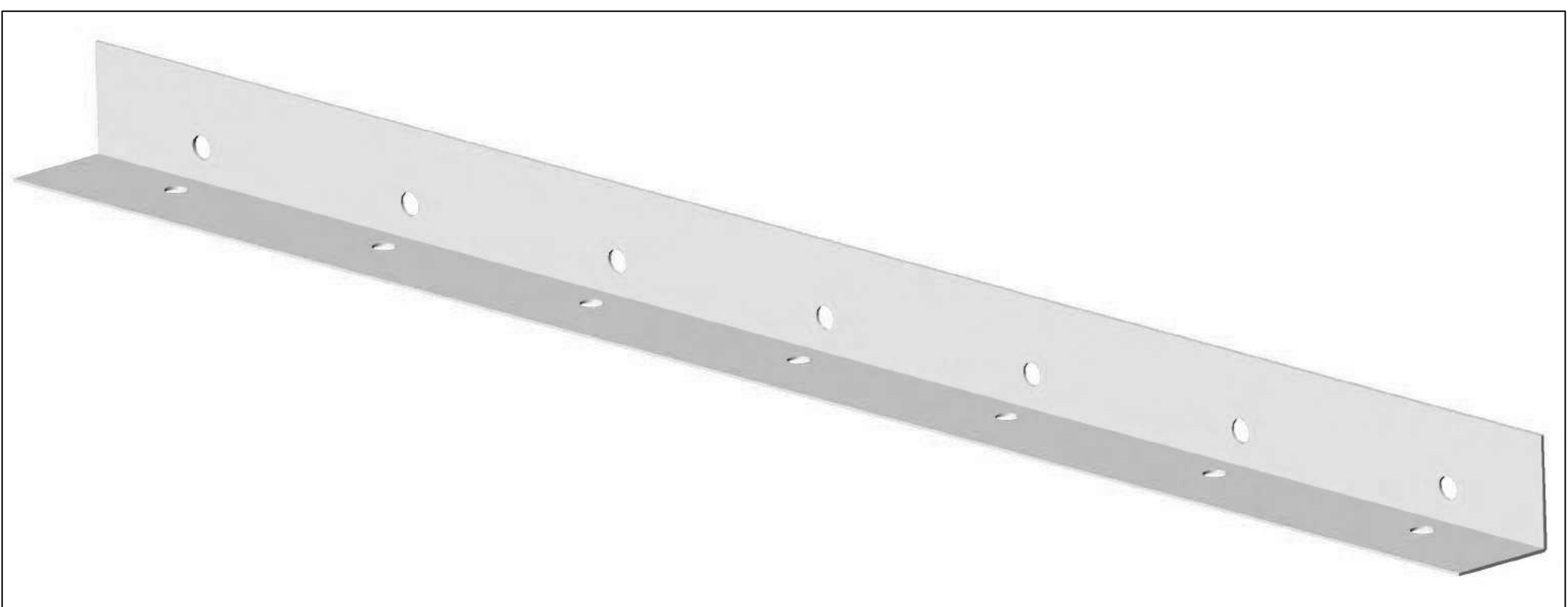


FRONT VIEW

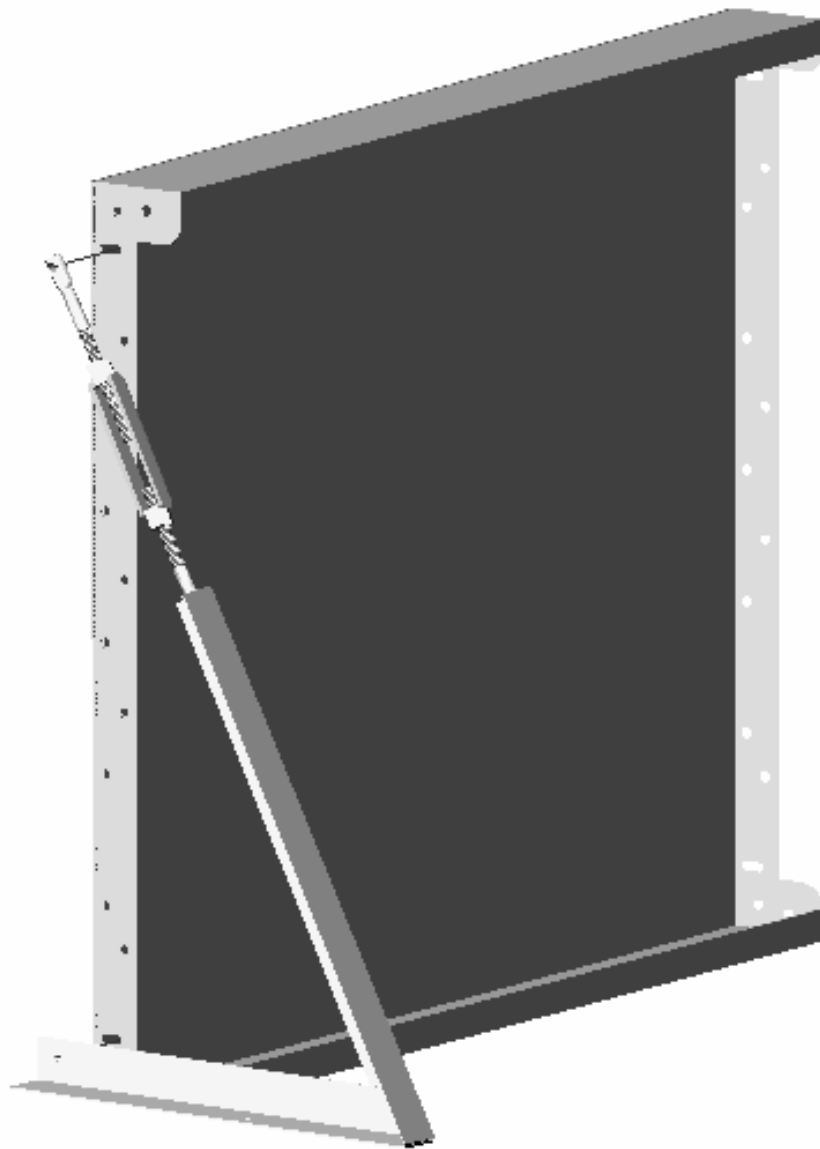


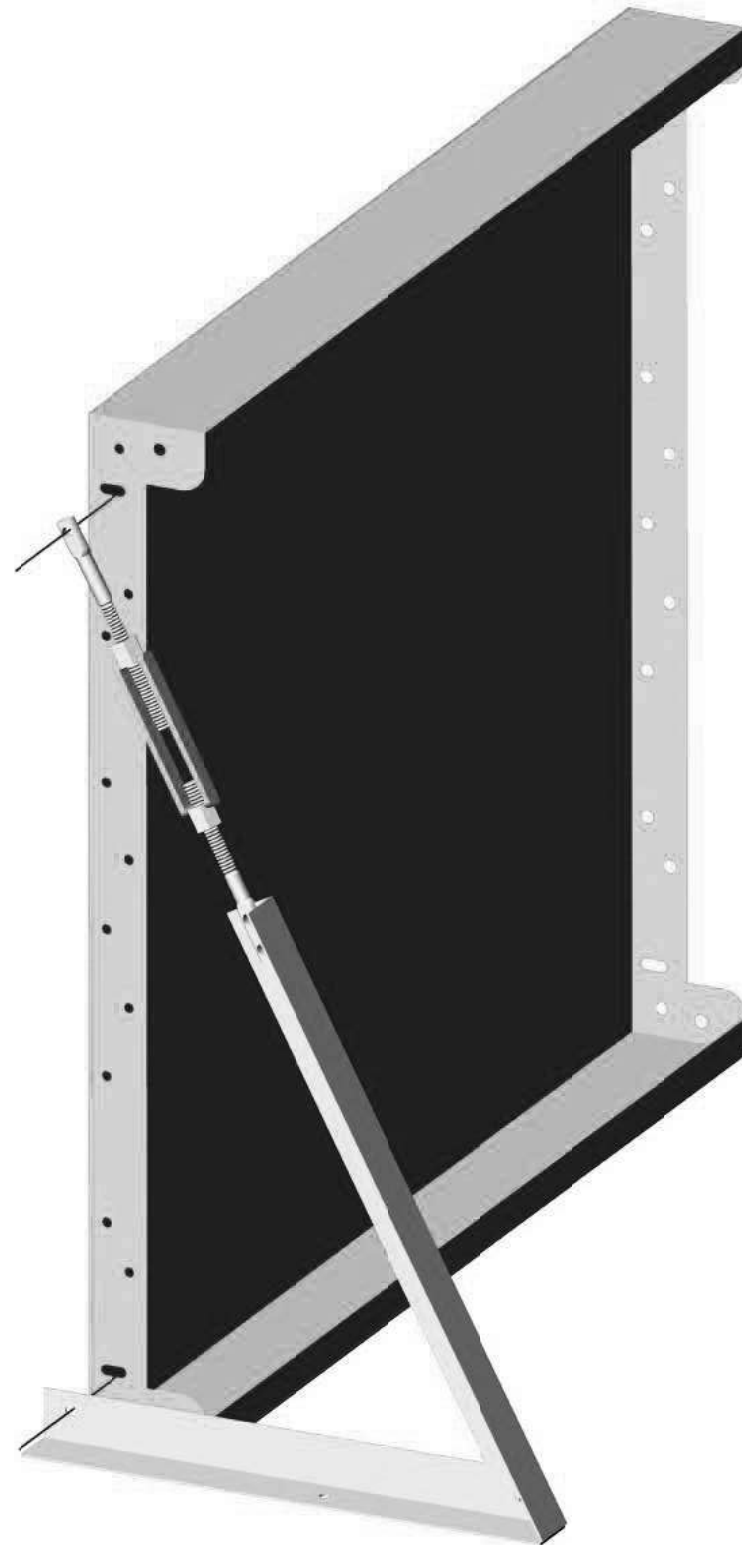
TOP VIEW





TURNBUCKLE 1 PIECE



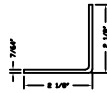




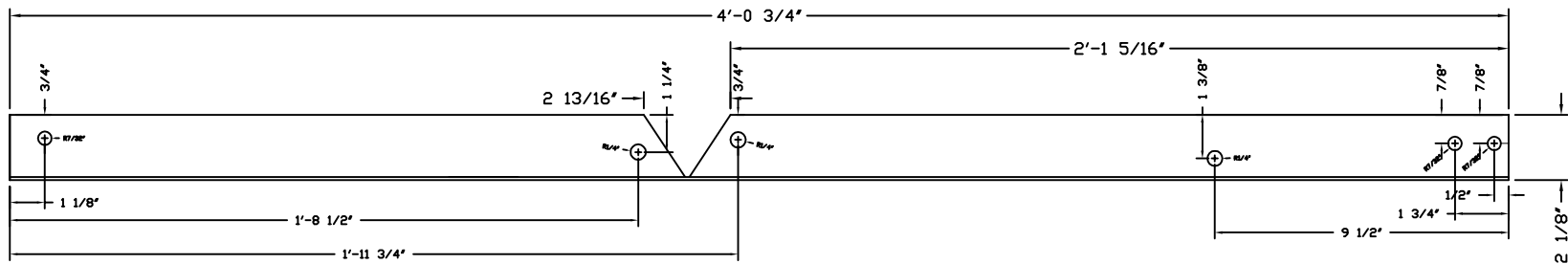
TURNBUCKLE

1-PIECE 12 GA.

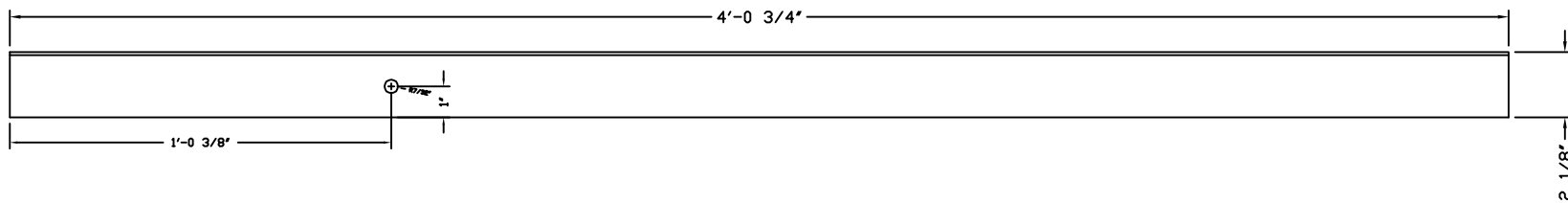
END VIEW



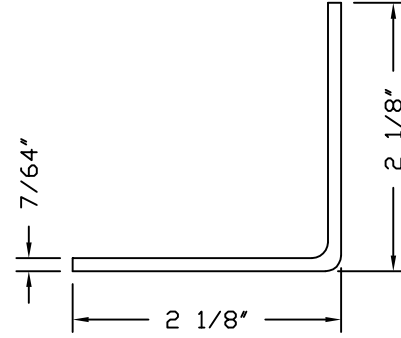
FRONT VIEW



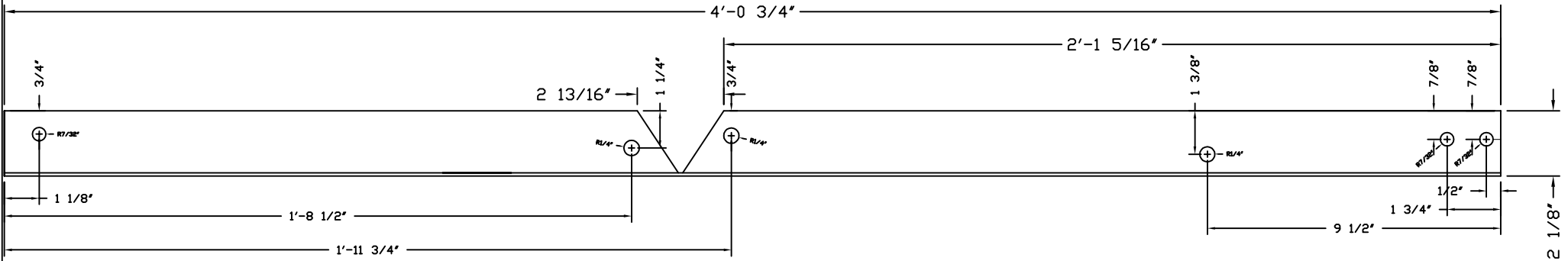
TOP VIEW



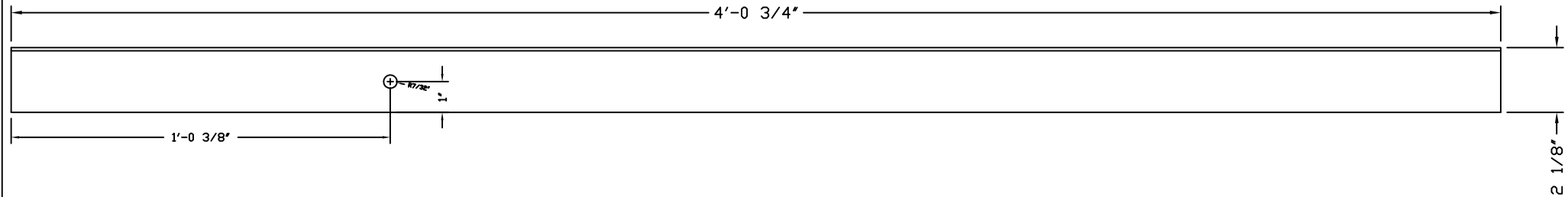
END VIEW

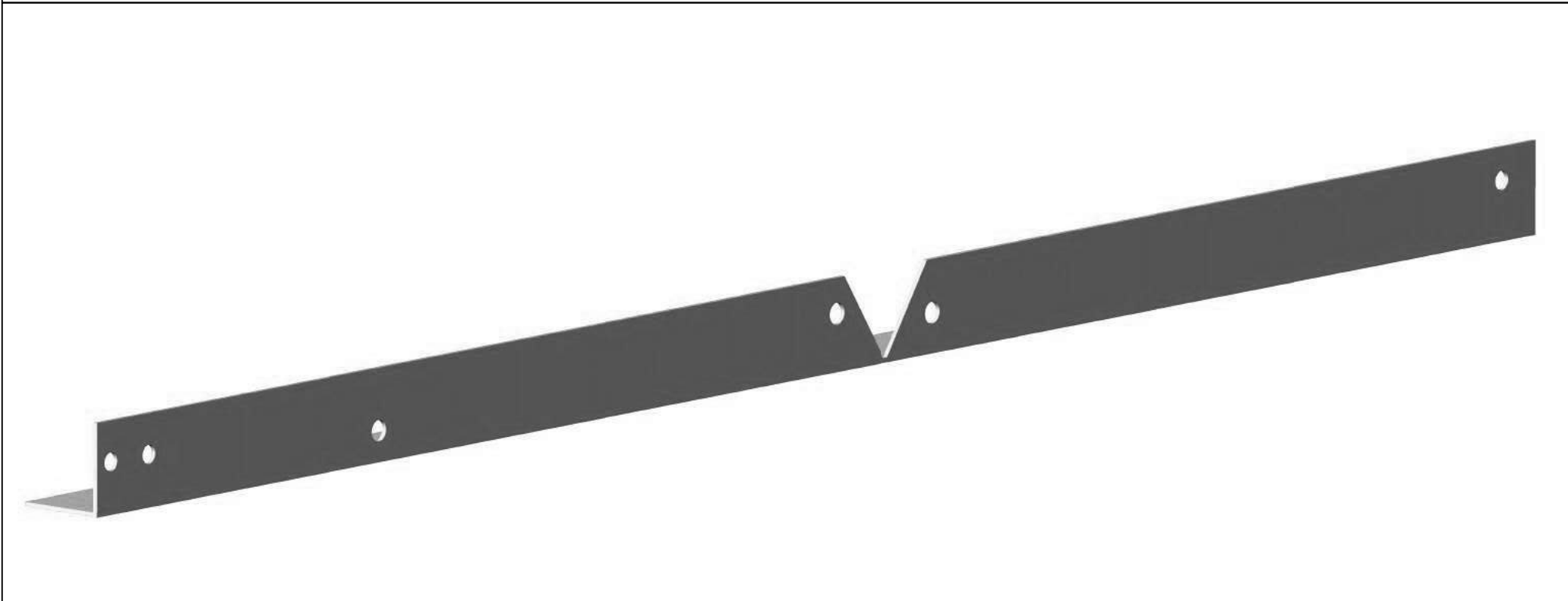
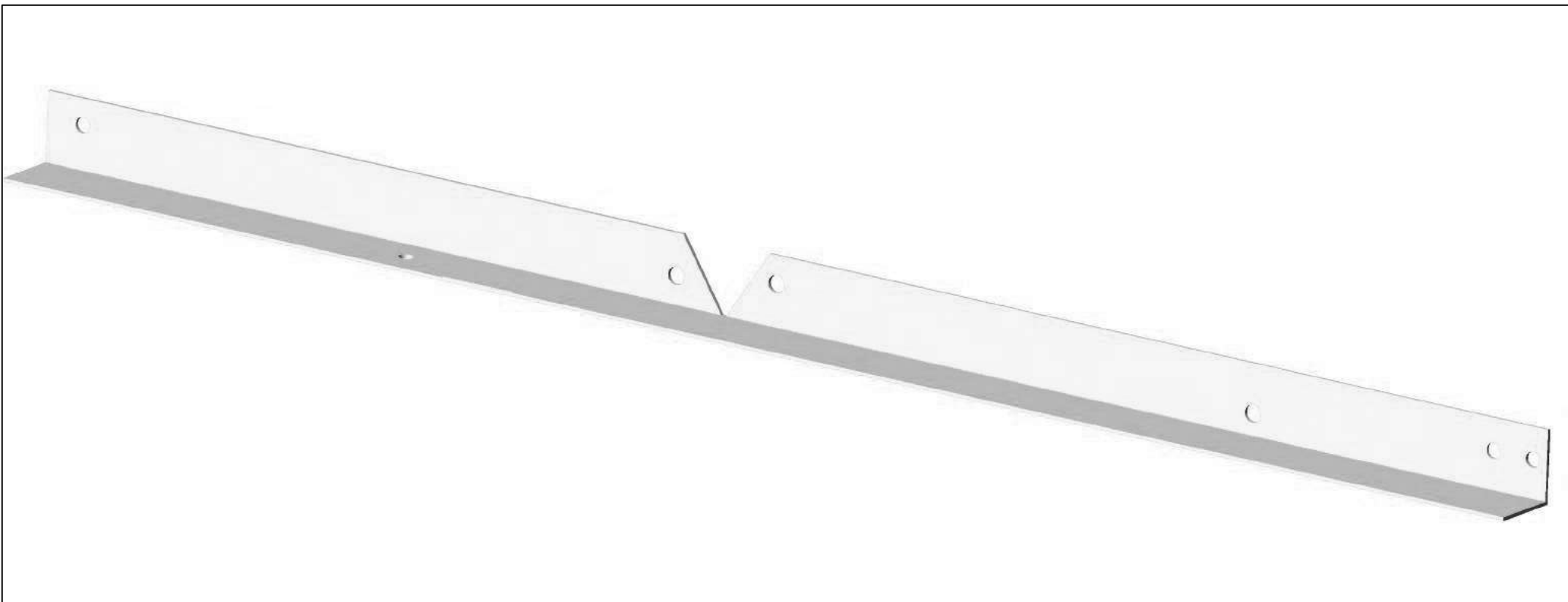


FRONT VIEW



TOP VIEW







MEGNA
POOLS

Megna Plastic Packaging Corp.

HARDWARE

8 1/2" BOLT



TURNUCKLE



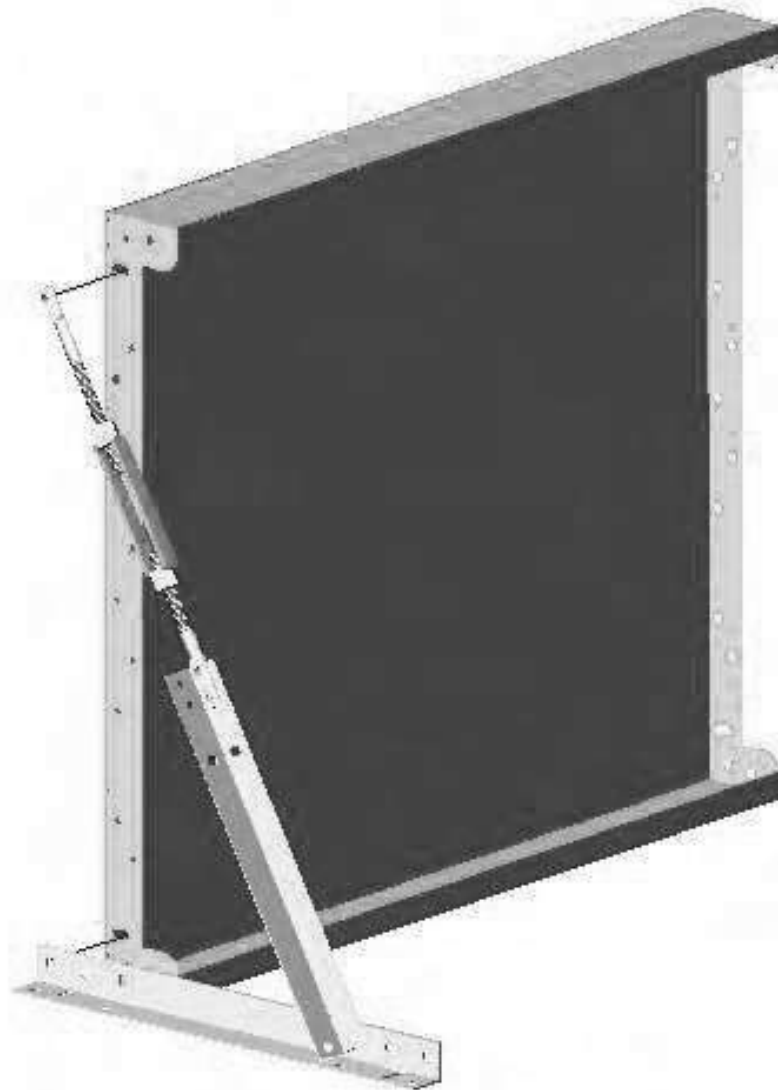
7 1/4" BOLT

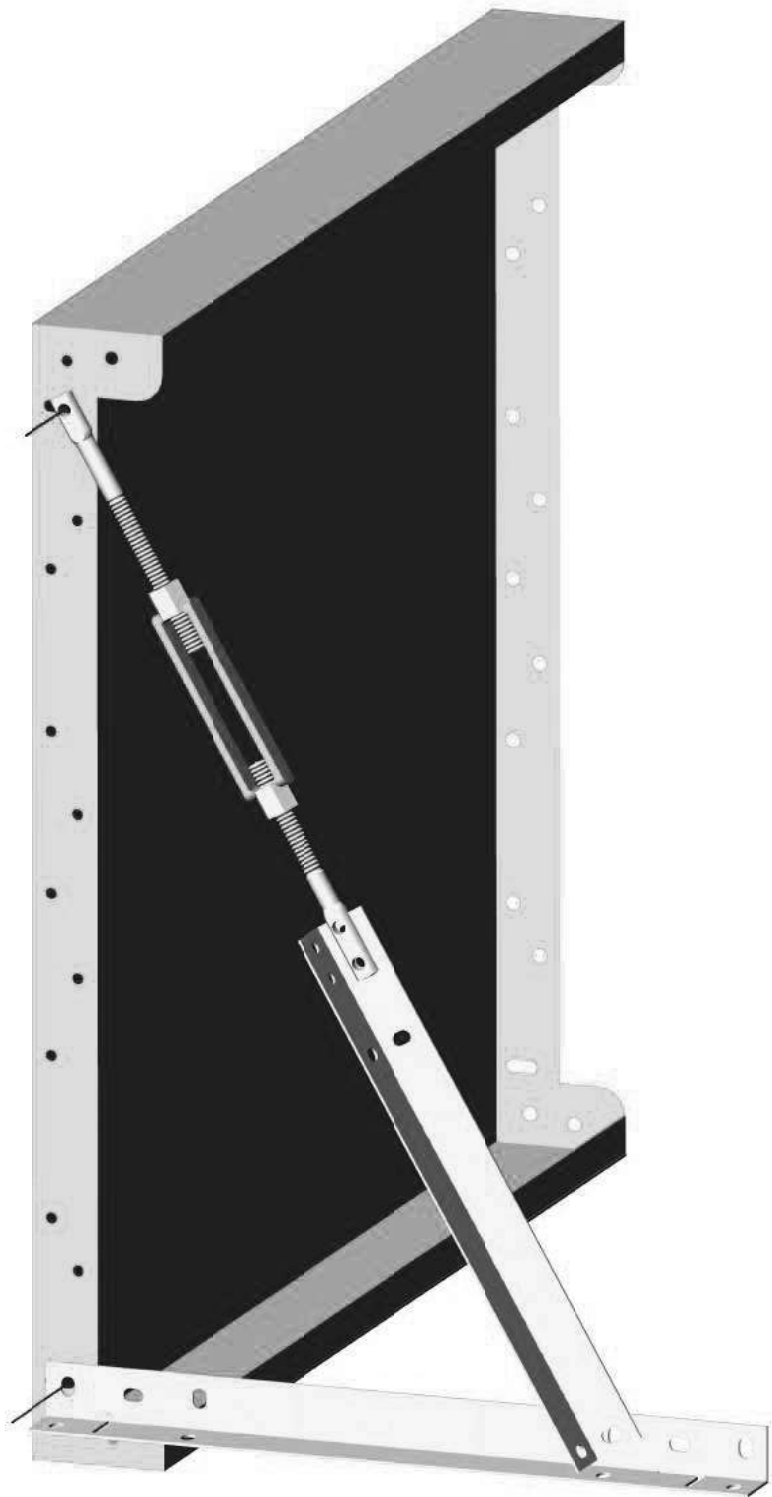


ASSMBLY



TURNUCKLE 2 PIERCES

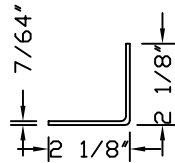




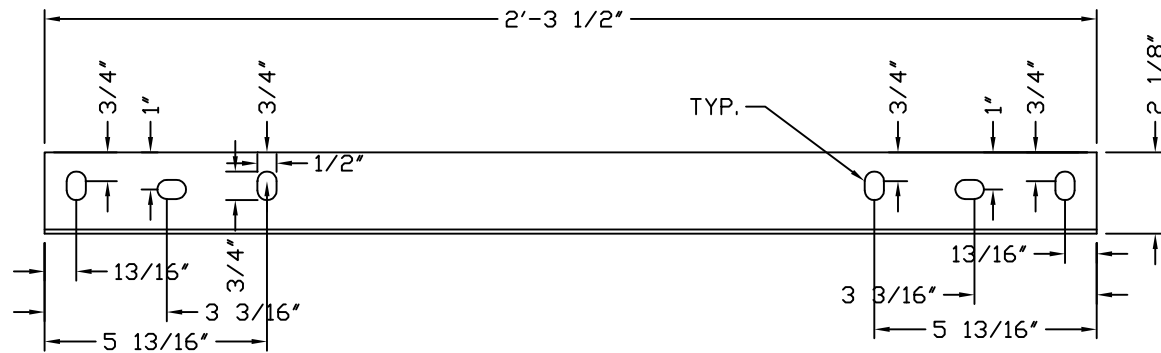


TURNBUCKLE 2-PIECE 12 GA. SHORT PIECE

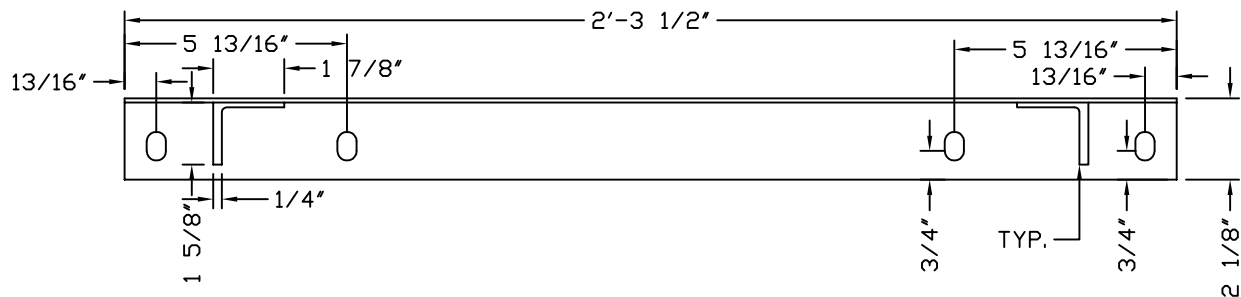
END VIEW



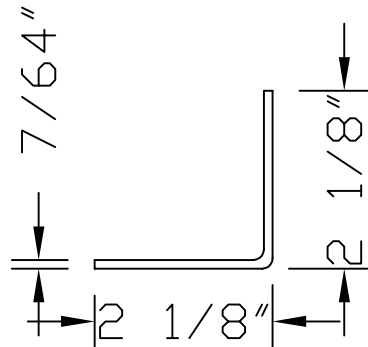
FRONT VIEW



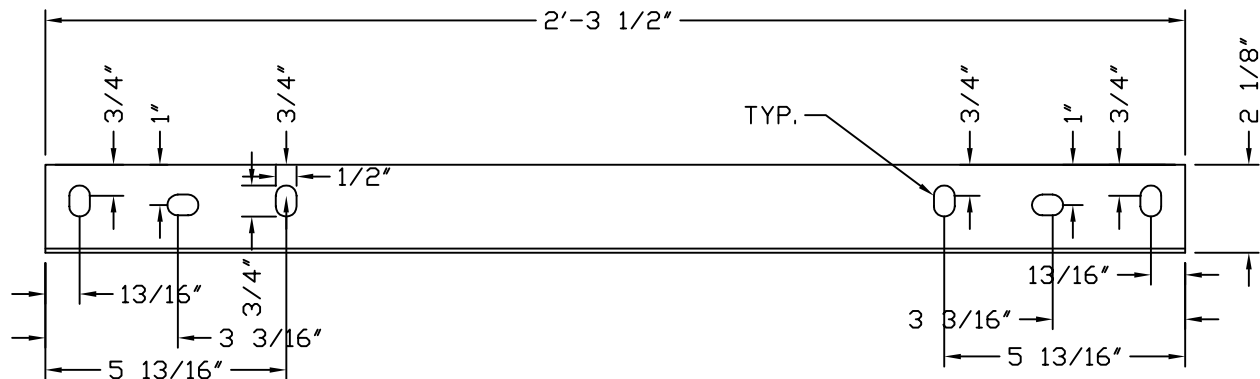
TOP VIEW



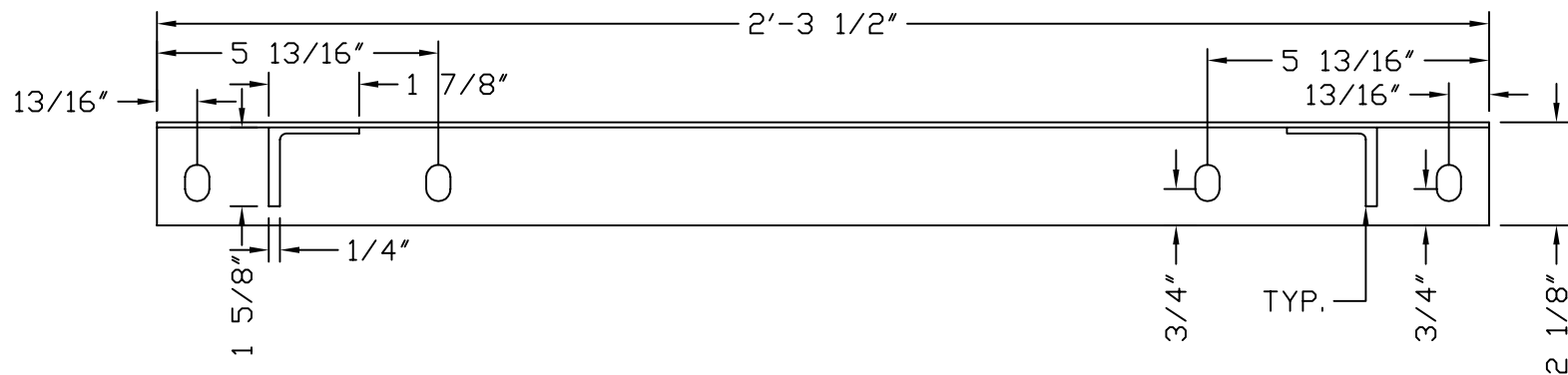
END VIEW

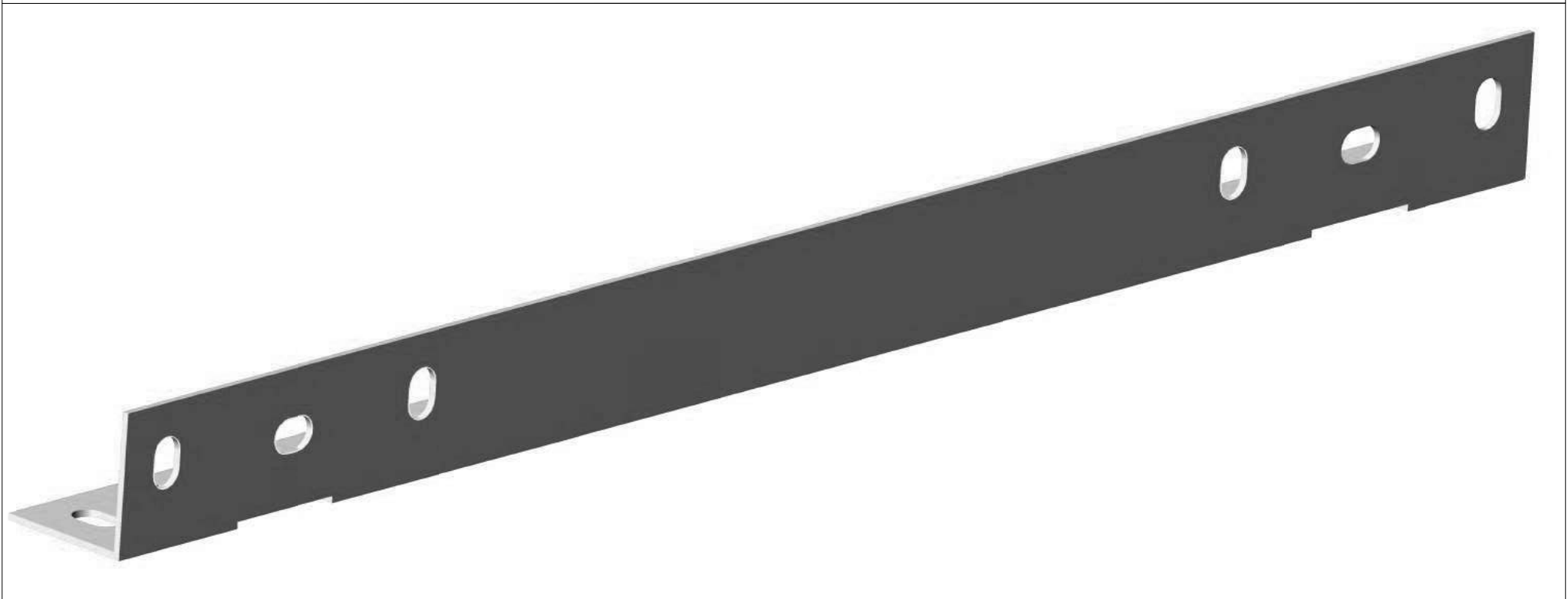
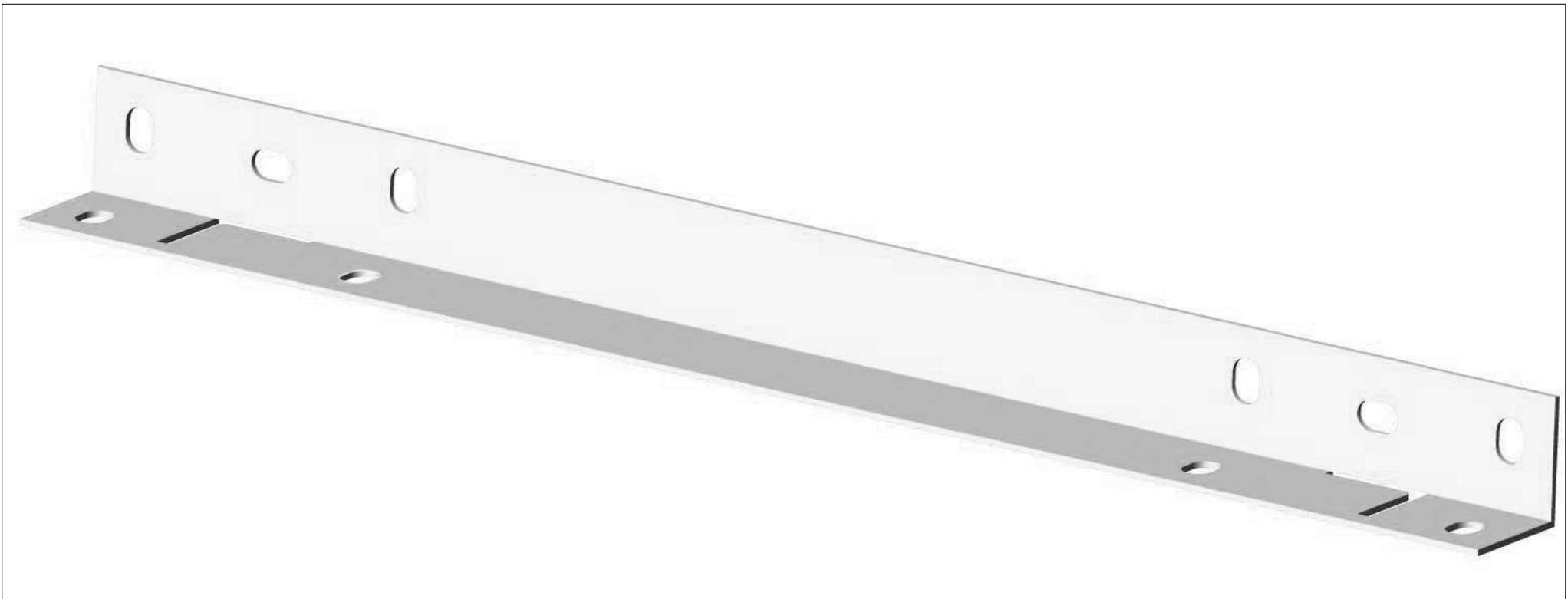


FRONT VIEW



TOP VIEW

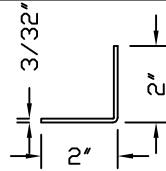




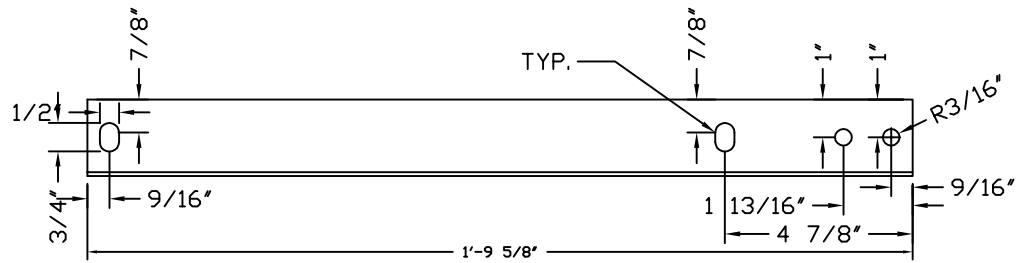


TURNBUCKLE 2-PIECE 12 GA. LONG PIECE

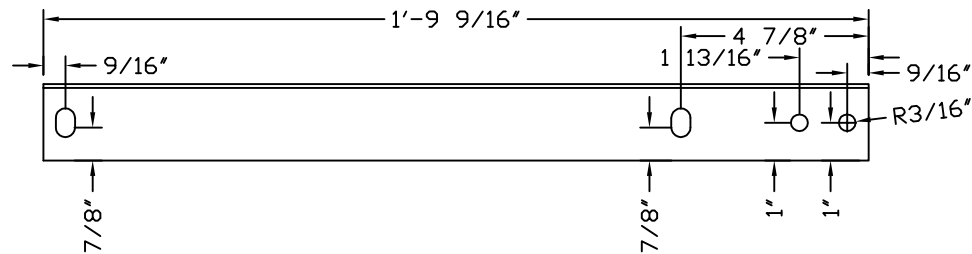
END VIEW



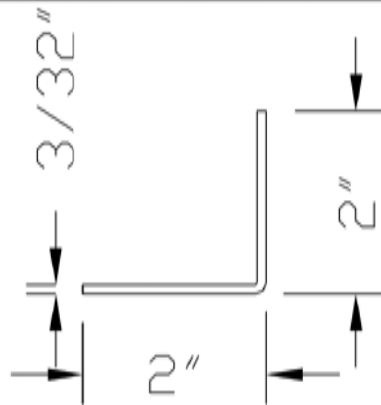
FRONT VIEW



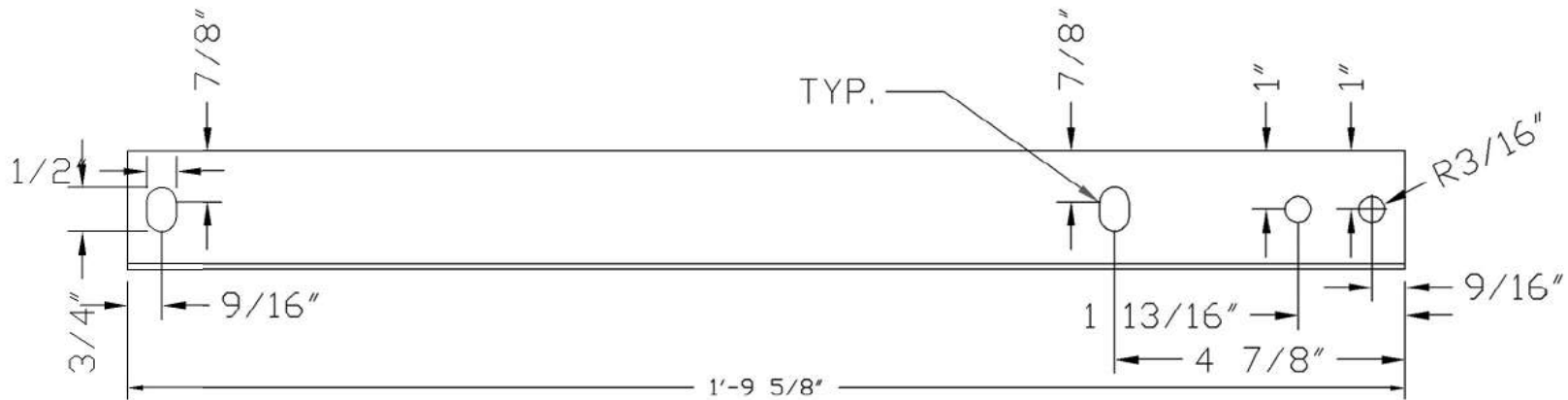
TOP VIEW



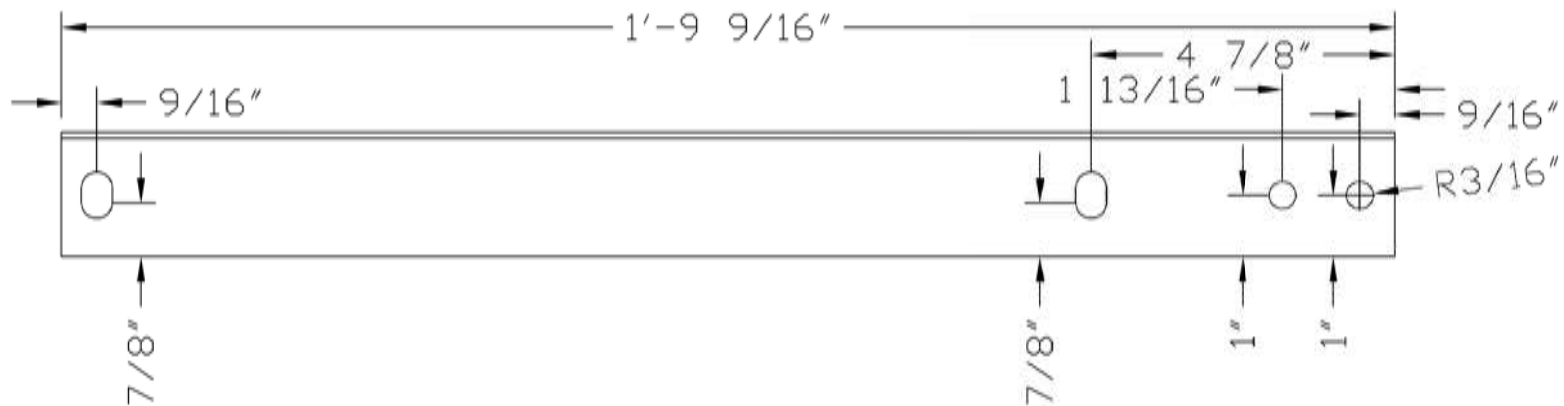
END VIEW

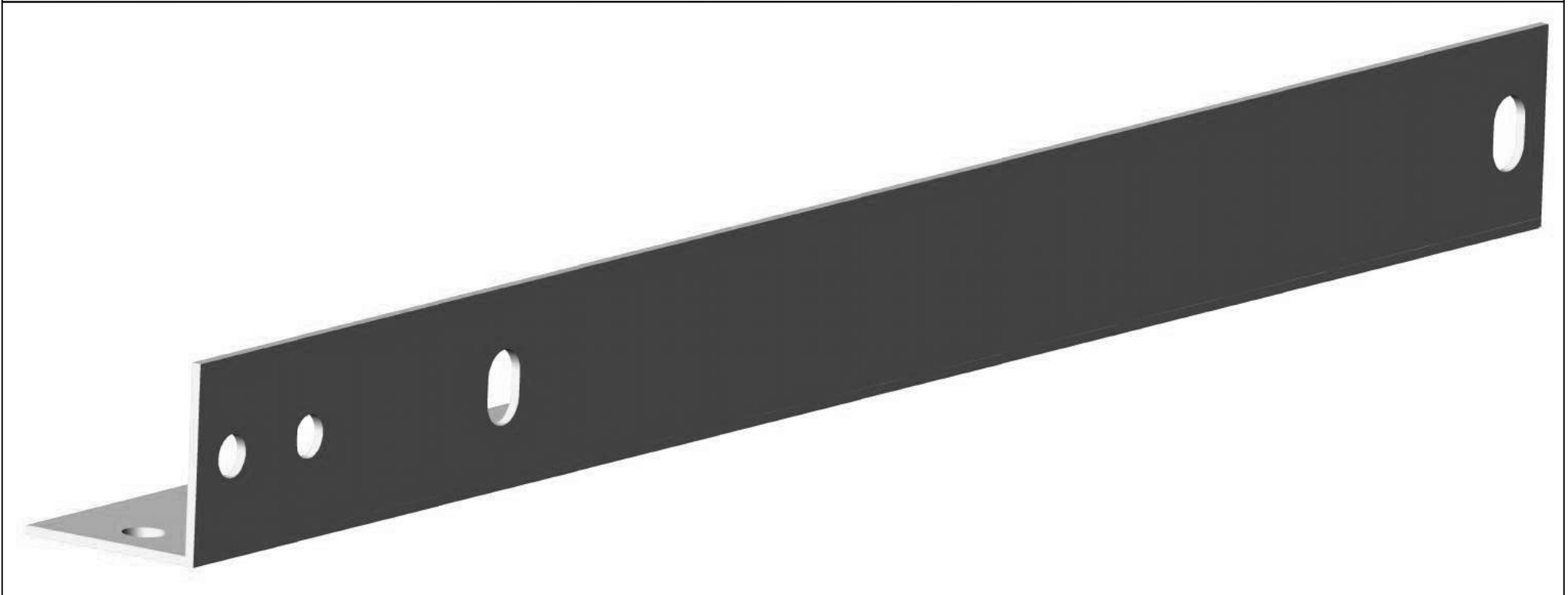
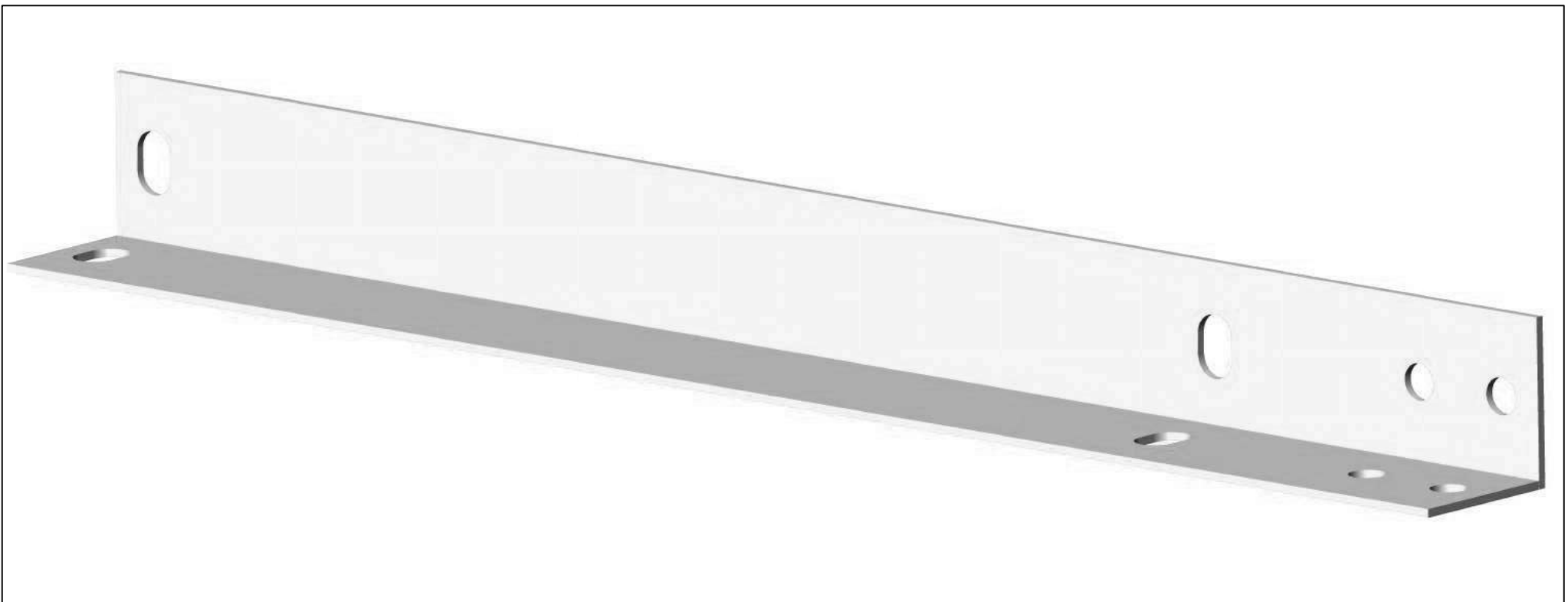


FRONT VIEW



TOP VIEW







MEGNA
POOLS

Magna Plastic Packaging Corp.

HARDWARE

8 1/2" BOLT



TURNBUCKLE



7 1/4" BOLT



ASSEMBLY

