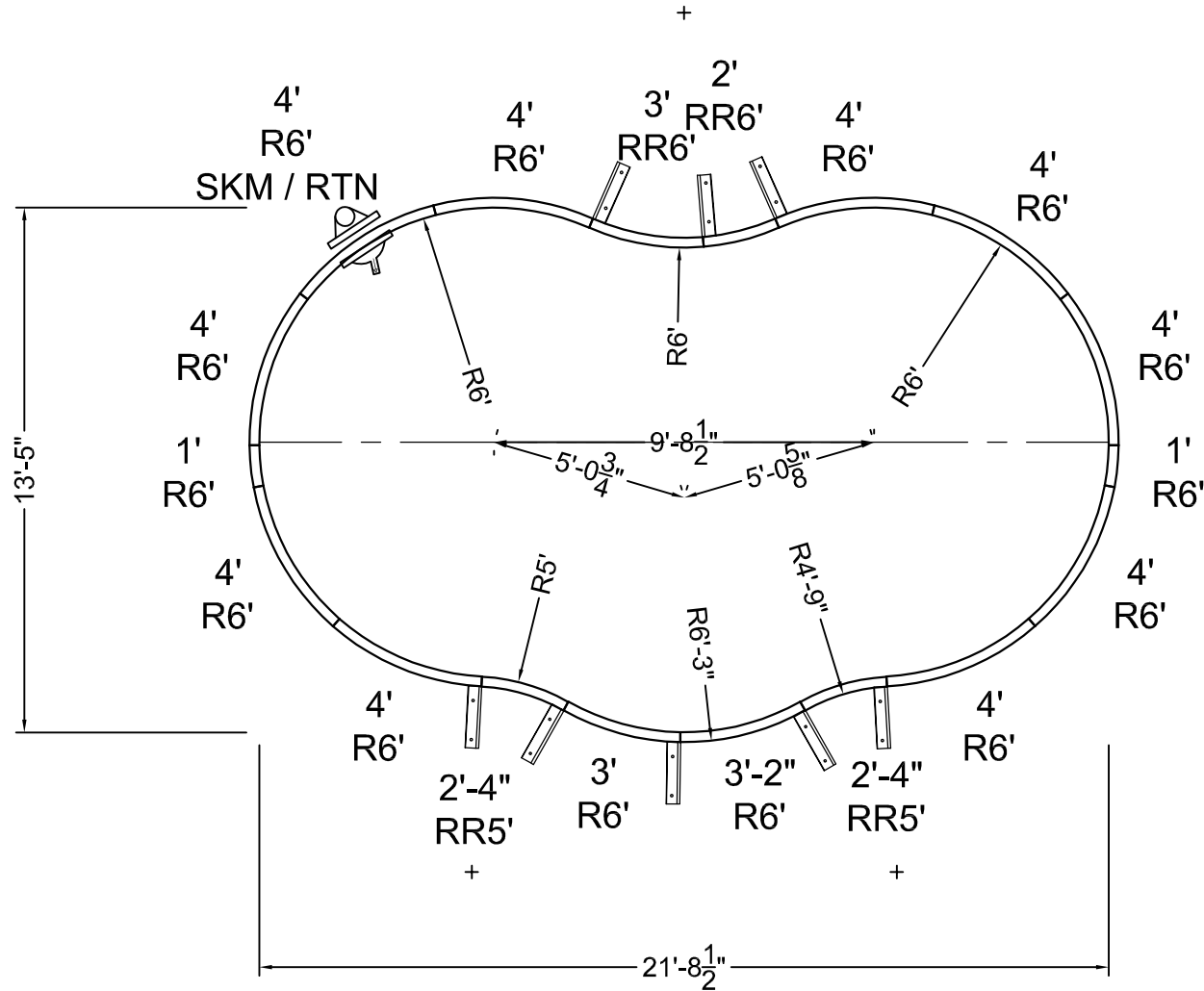




**ONGROUND POOL KIT  
SPECIFICATIONS  
2019**

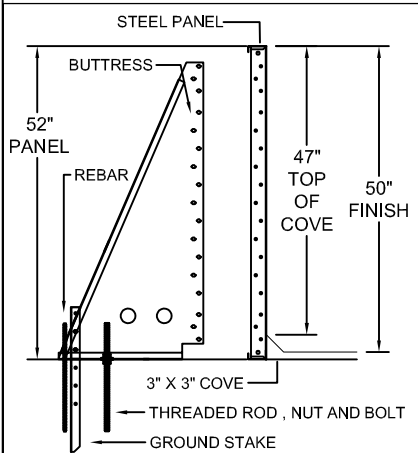


ALL DIMENSIONS ARE FINISHED



BRACE / HARDWARE OPTIONS	
QTY	DESCRIPTION
0	45° Outside Corner Angle
8	Buttress Supports
8	Steel Rebar 18" + Ground Stakes
8	3/4" Threaded Rod / Nut and Washer
342	Hardware Bolts / Nuts
0	Grecian Hardware
36	Strengthening Straps

WALL SECTION DETAILS



**52" INCH WALL HEIGHT POOL KITS**

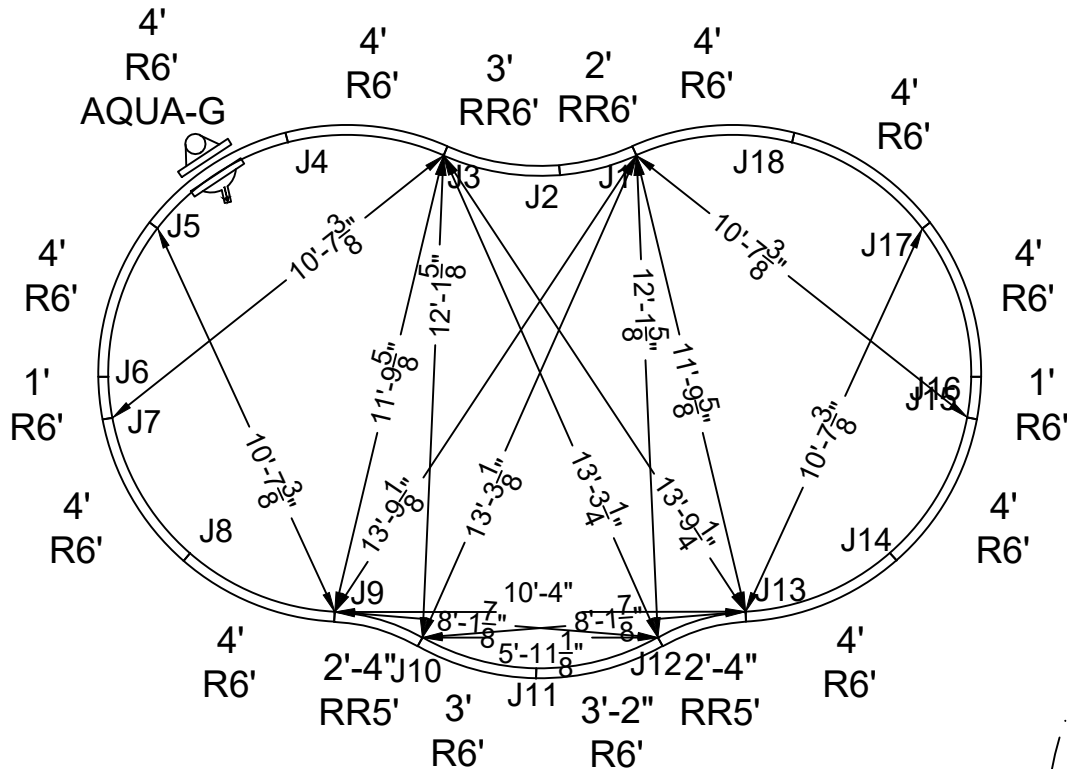
- STEEL PANELS MUST BE BURIED 36" IN THE GROUND & BACKFILLED.
- POOL MUST HAVE A POURED CONCRETE COLLAR.
- EACH PANEL JOINT MUST BE SECURED WITH 19 NUTS & BOLTS.
- GRECIAN CORNER JOINTS REQUIRES 10 ANGLE NUT AND BOLTS.
- STRENGTHENING STRAPS MUST BE INSTALLED ON ALL PANEL JOINTS - 2 PER JOINT.
- IF POOL FINISH IS DIFFERENT THAN WALL SECTION DETAIL THE FINISH MUST BE PROVIDED ON LINDER ORDER.
- THE USE OF CHLORINE GENERATORS VOIDS STEEL WARRANTY.

**NON COMPLIANCE VOIDS WARRANTY**

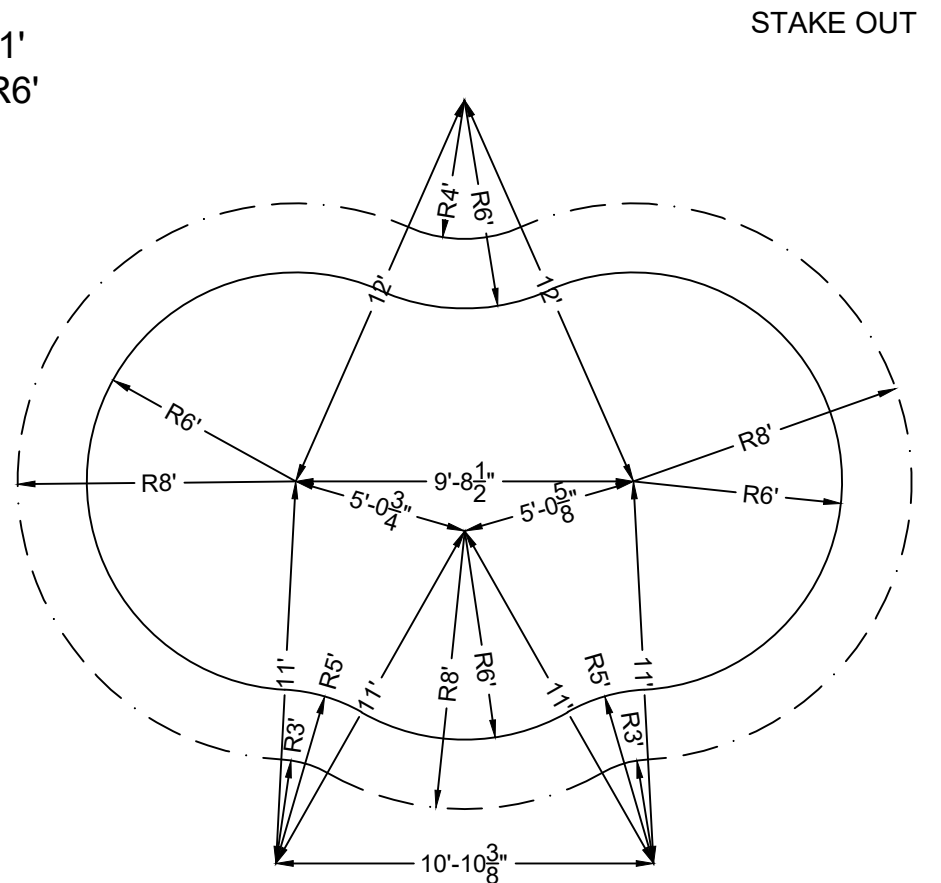
SHAPE : <b>MAGNUM FREEFORM</b>	SIZE : <b>13'-5" X 21'-8"</b>	HAND : <b>RIGHT</b>	PANEL HEIGHT : <b>4'-4"</b>	PANEL TYPE : <b>3" TOP</b>
PERIMETER : <b>57'-10 25/32"</b>	VOLUME : <b>7,537 US GAL.</b>	SURFACE AREA : <b>232.500 SQ. FT.</b>	SCALE : <b>N.T.S</b>	DRAWN BY : <b>ALG</b>
DWG # : <b>FREEFORM_1322</b>	DATE : <b>7/5/2019</b>	REVISION # : <b>06</b>	KIT REF : <b>FREEFORM_1322-R</b>	<b>A</b>



ALL DIMENSIONS ARE FINISHED



STEEL CHECK





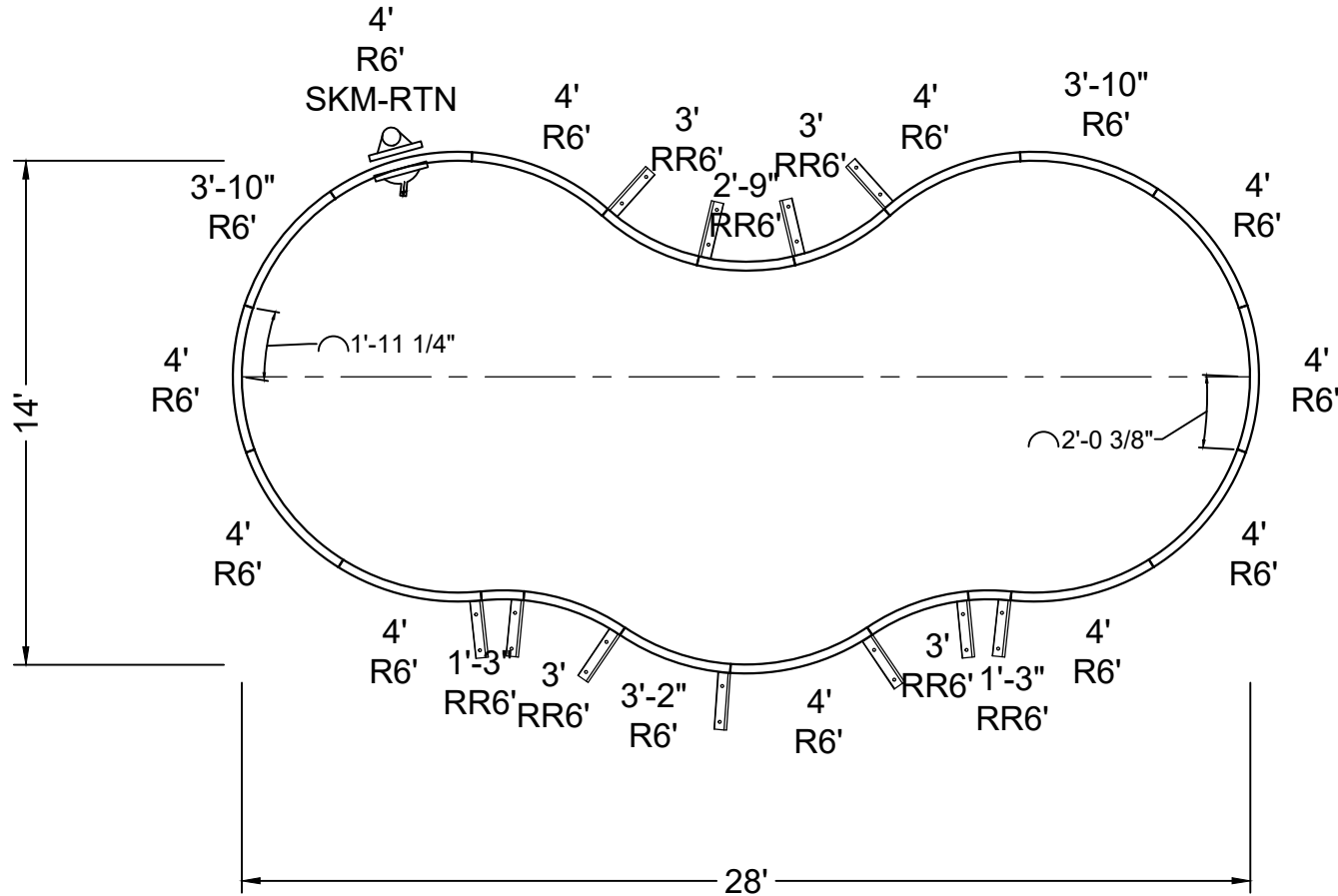
BACKYARD MASTERS  
STOCK /



**NON-DIVING POOL**  
USE OF DIVING EQUIPMENT IS PROHIBITED

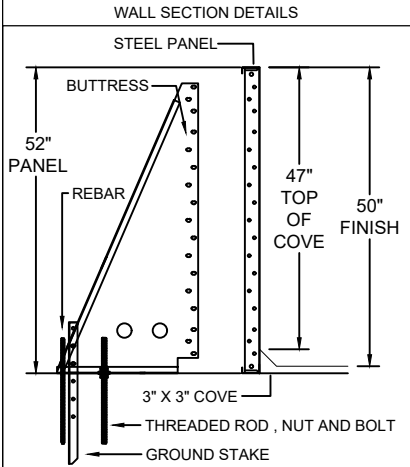
DOES NOT MEET DEPTH AND SHAPE MINIMUM STANDARD ANSI/NSPI5-2003

ALL DIMENSIONS ARE FINISHED



- 52" INCH WALL HEIGHT POOL KITS**
1. - STEEL PANELS MUST BE BURIED 35" IN THE GROUND & BACKFILLED.
  2. - POOL MUST HAVE A FOURED CONCRETE COLLAR.
  3. - EACH PANEL JOINT MUST BE SECURED WITH 19 NUTS & BOLTS.
  4. - GRECIAN CORNER JOINTS REQUIRES 10 ANGLE NUT AND BOLTS.
  5. - STRENGTHENING STRAPS MUST BE INSTALLED ON ALL PANEL JOINTS - 2 PER JOINT.
  6. - IF POOL FINISH IS DIFFERENT THAN WALL SECTION DETAIL THE FINISH MUST BE PROVIDED ON LINDER ORDER.
  7. - THE USE OF CHLORINE GENERATORS VOIDS STEEL WARRANTY.
- NON COMPLIANCE VOIDS WARRANTY**

BRACE / HARDWARE OPTIONS	
QTY	DESCRIPTION
	45° Outside Corner Angle
	Buttress Supports
	Steel Rebar 18" + Ground Stakes
	3/4" Threaded Rod / Nut and Washer
	Hardware Bolts / Nuts
	Grecian Hardware
	Strengthening Straps



**STEP AND BENCH NOTES:**  
**NOTE : MARCHE ET BANC**

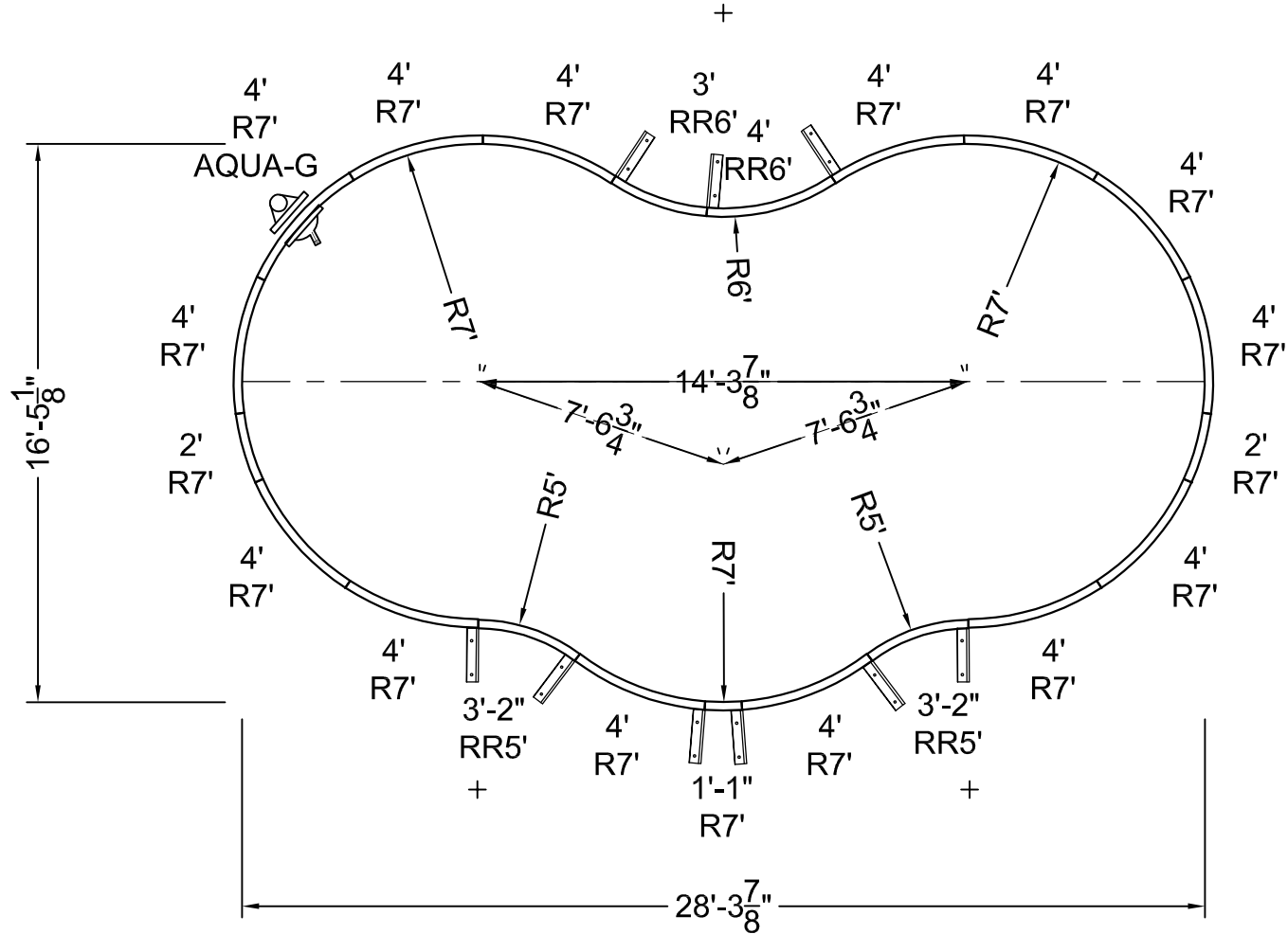
- TO ENHANCE POOL SAFETY; IT IS RECOMMEND THAT A HANDRAIL BE INSTALLED AT ALL STEPS.  
- AFIN D'AMÉLIORER LA SÉCURITÉ DANS LA PISCINE, L'INSTALLATION D'UNE RAMPE DANS LA MARCHE EST FORTEMENT RECOMMANDÉE.

SHAPE : <b>ALOHA</b>	SIZE : <b>14' X 28'</b>	HAND : <b>RIGHT</b>	PANEL HEIGHT : <b>4'-4"</b>	PANEL TYPE : <b>3" TOP</b>
PERIMETER : <b>72'-0 9/16"</b>	VOLUME : <b>9,517 US GAL.</b>	SURFACE AREA : <b>293.582 SQ. FT.</b>	SCALE : <b>N.T.S</b>	DRAWN BY : <b>RR / ALG</b>
DWG # : <b>14X28 FREEFORM</b>	DATE : <b>6/2/2020</b>	REVISION # : <b>02</b>	KIT REF : <b>14X28 FREEFORM-R</b>	<b>A</b>



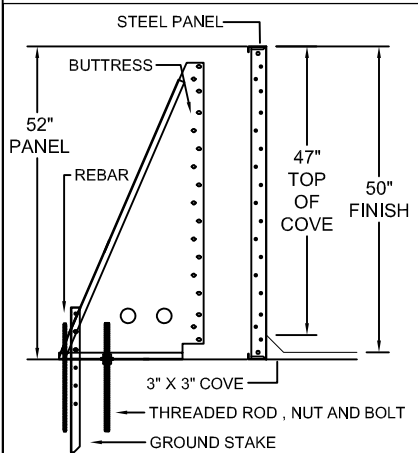


ALL DIMENSIONS ARE FINISHED



BRACE / HARDWARE OPTIONS	
QTY	DESCRIPTION
0	45° Outside Corner Angle
9	Buttress Supports
9	Steel Rebar 18" + Ground Stakes
9	3/4" Threaded Rod / Nut and Washer
399	Hardware Bolts / Nuts
0	Grecian Hardware
42	Strengthening Straps

WALL SECTION DETAILS



**52" INCH WALL HEIGHT POOL KITS**

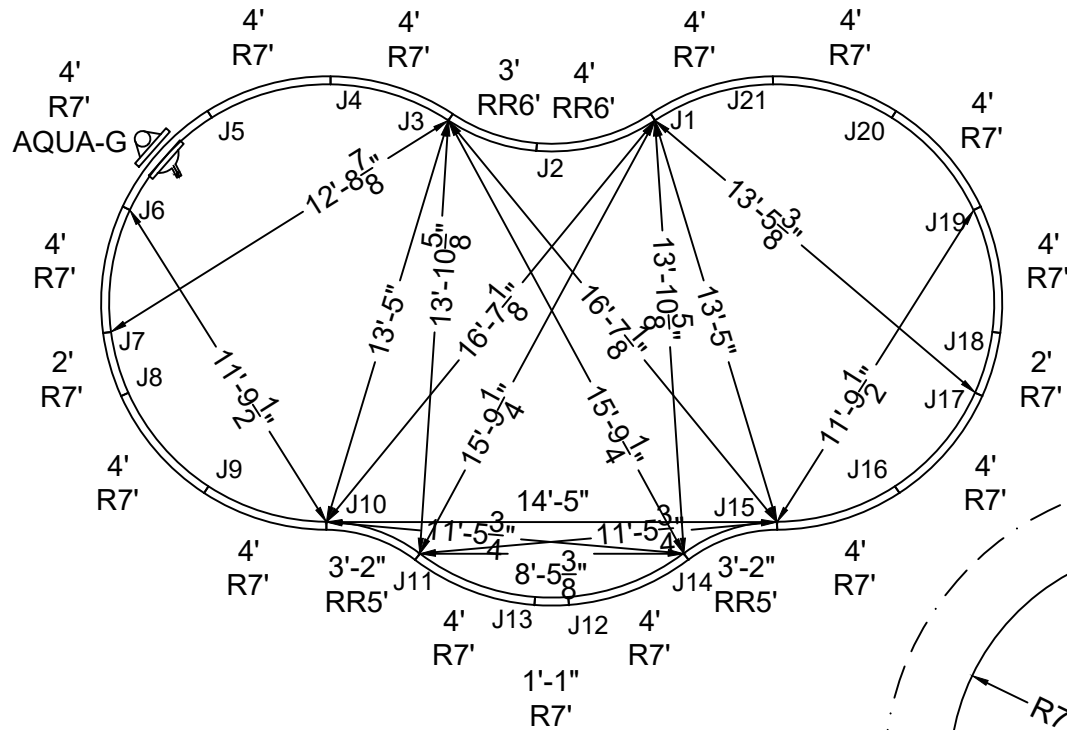
- STEEL PANELS MUST BE BURIED 36" IN THE GROUND & BACKFILLED.
- POOL MUST HAVE A POURED CONCRETE COLLAR.
- EACH PANEL JOINT MUST BE SECURED WITH 19 NUTS & BOLTS.
- GRECIAN CORNER JOINTS REQUIRES 10 ANGLE NUT AND BOLTS.
- STRENGTHENING STRAPS MUST BE INSTALLED ON ALL PANEL JOINTS - 2 PER JOINT.
- IF POOL FINISH IS DIFFERENT THAN WALL SECTION DETAIL THE FINISH MUST BE PROVIDED ON LINDER ORDER.
- THE USE OF CHLORINE GENERATORS VOIDS STEEL WARRANTY.

**NON COMPLIANCE VOIDS WARRANTY**

SHAPE : <b>MAGNUM FREEFORM</b>	SIZE : <b>16'-5" X 28'-4"</b>	HAND : <b>RIGHT</b>	PANEL HEIGHT : <b>4'-4"</b>	PANEL TYPE : <b>3" TOP</b>
PERIMETER : <b>74'-6 15/32"</b>	VOLUME : <b>11,609 US GAL.</b>	SURFACE AREA : <b>358.138 SQ. FT.</b>	SCALE : <b>N.T.S</b>	DRAWN BY : <b>ALG</b>
DWG # : <b>FREEFORM 1628</b>	DATE : <b>7/5/2019</b>	REVISION # : <b>01</b>	KIT REF : <b>FREEFORM 1628-R</b>	<b>A</b>

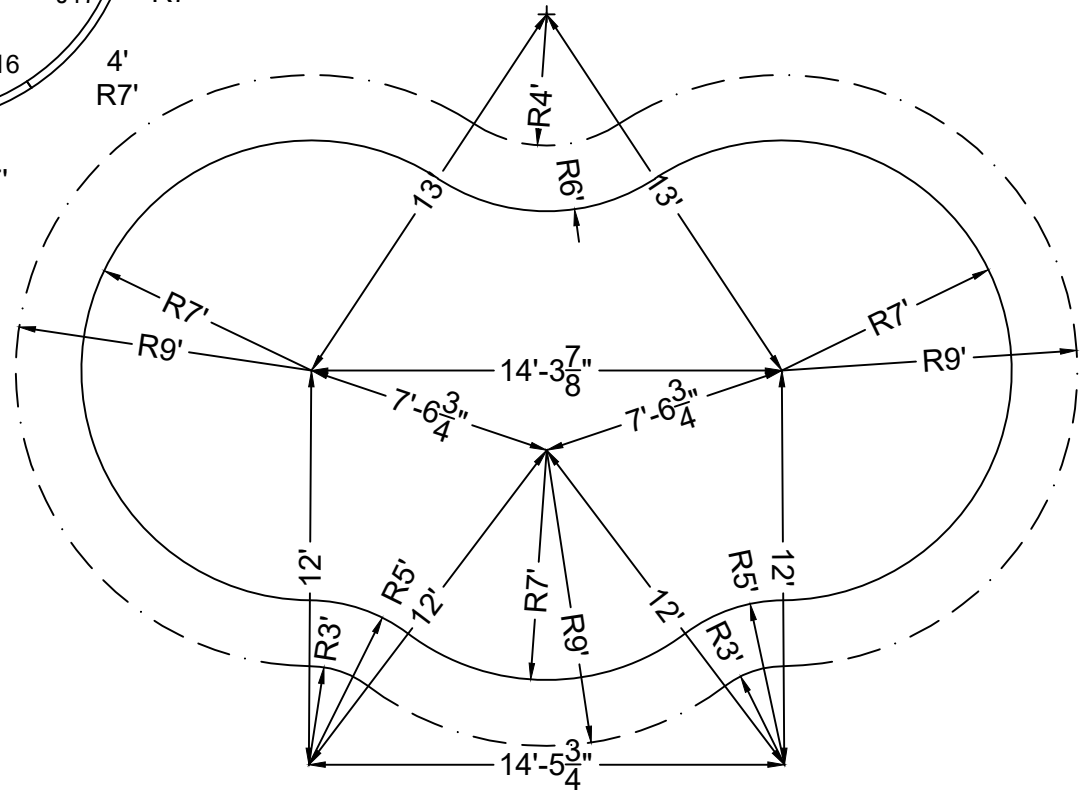


ALL DIMENSIONS ARE FINISHED



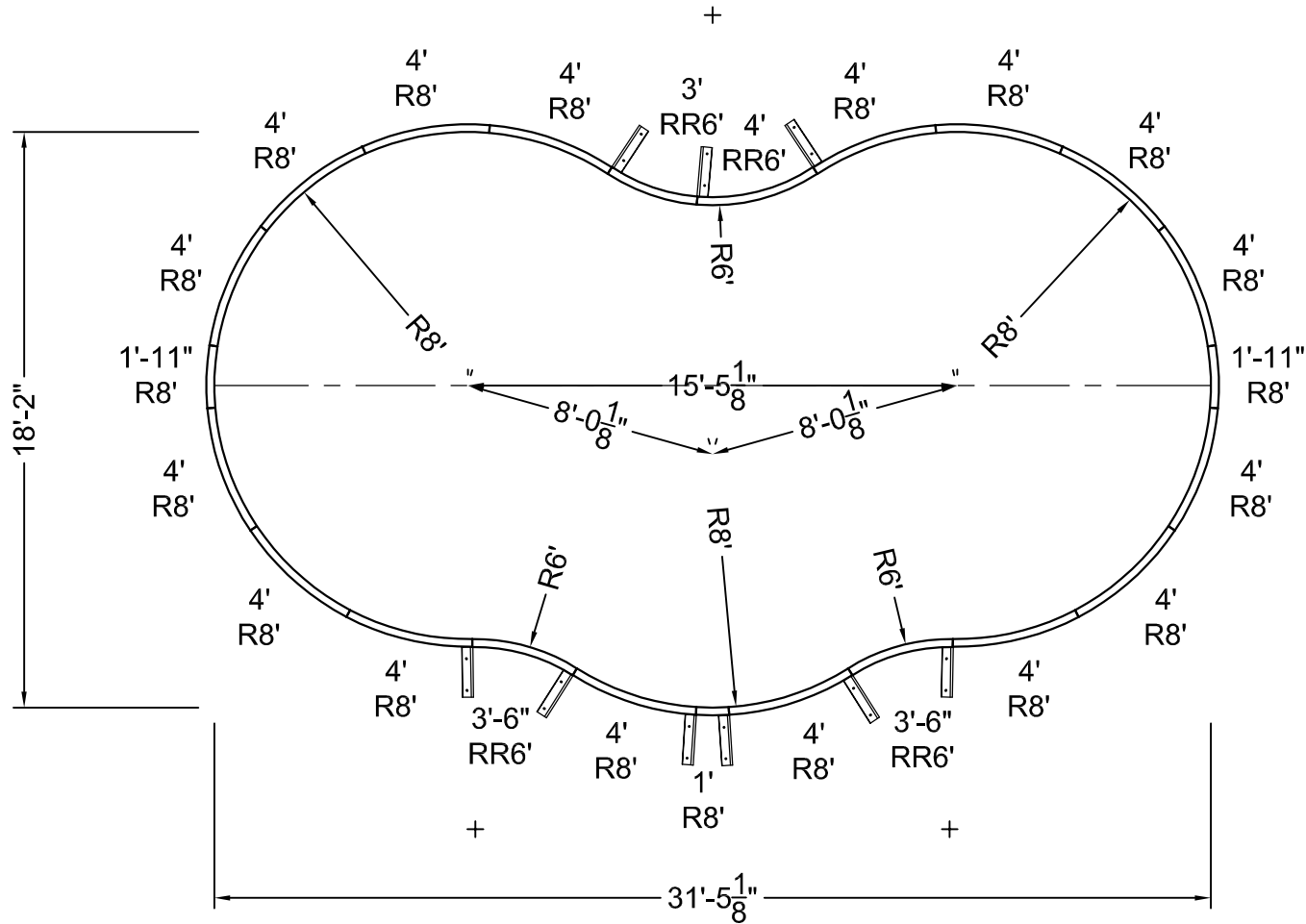
STEEL CHECK

STAKE OUT





ALL DIMENSIONS ARE FINISHED

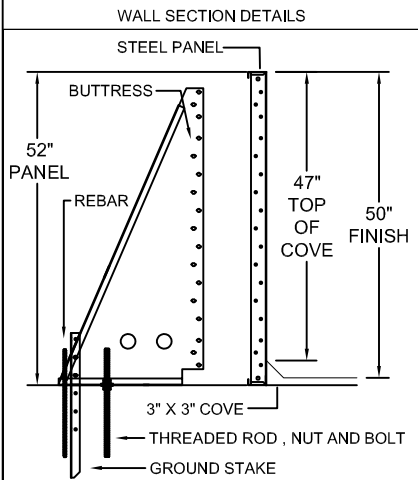


**52" INCH WALL HEIGHT POOL KITS**

- STEEL PANELS MUST BE BURIED 35" IN THE GROUND & BACKFILLED.
- POOL MUST HAVE A POURED CONCRETE COLLAR.
- EACH PANEL JOINT MUST BE SECURED WITH 19 NUTS & BOLTS.
- GRECIAN CORNER JOINTS REQUIRES 10 ANGLE NUT AND BOLTS.
- STRENGTHENING STRAPS MUST BE INSTALLED ON ALL PANEL JOINTS - 2 PER JOINT.
- IF POOL FINISH IS DIFFERENT THAN WALL SECTION DETAIL, THE FINISH MUST BE PROVIDED ON LINDER ORDER.
- IF THE USE OF CHLORINE GENERATORS VOIDS STEEL WARRANTY.

**NON COMPLIANCE VOIDS WARRANTY**

BRACE / HARDWARE OPTIONS	
QTY	DESCRIPTION
0	45° Outside Corner Angle
9	Buttress Supports
9	Steel Rebar 18" + Ground Stakes
9	3/4" Threaded Rod / Nut and Washer
437	Hardware Bolts / Nuts
0	Grecian Hardware
46	Strengthening Straps

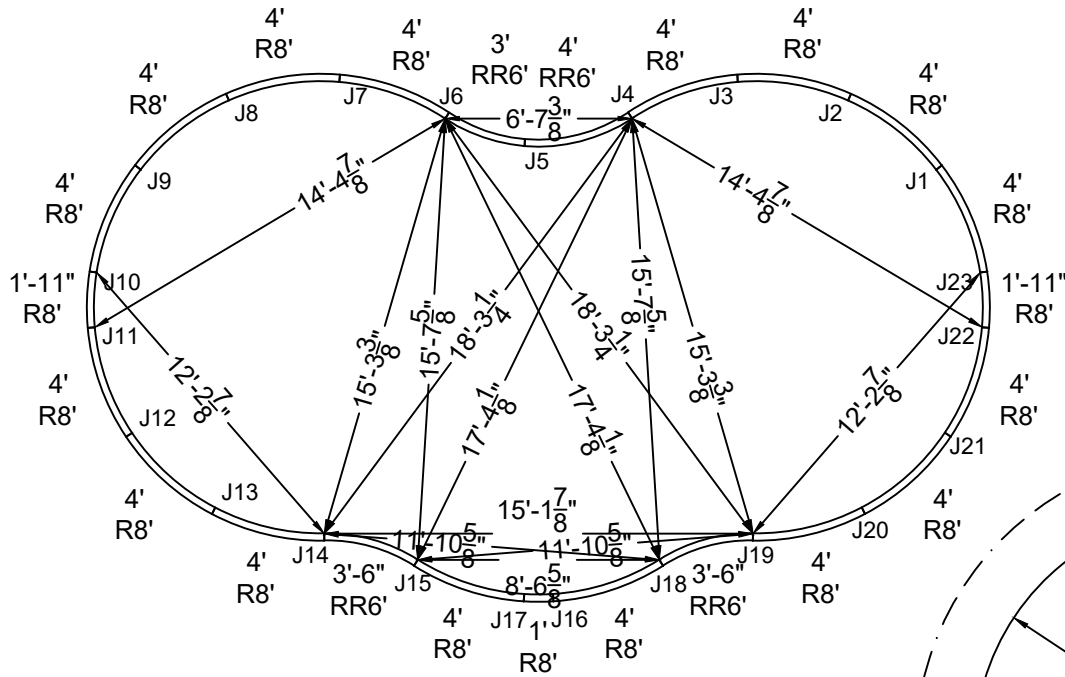


SHAPE : <b>MAGNUM FREEFORM</b>	SIZE : <b>18'-2" X 31'-5"</b>	HAND : <b>LEFT</b>	PANEL HEIGHT : <b>4'-4"</b>	PANEL TYPE : <b>3" TOP</b>
PERIMETER : <b>82'-10 1/4"</b>	VOLUME : <b>14,520 US GAL.</b>	SURFACE AREA : <b>447.924 SQ. FT.</b>	SCALE : <b>N.T.S</b>	DRAWN BY : <b>ALG</b>
DWG # : <b>FREEFORM 1832</b>	DATE : <b>7/3/2019</b>	REVISION # : <b>01</b>	KIT REF : <b>FREEFORM 1832-L</b>	<b>A</b>



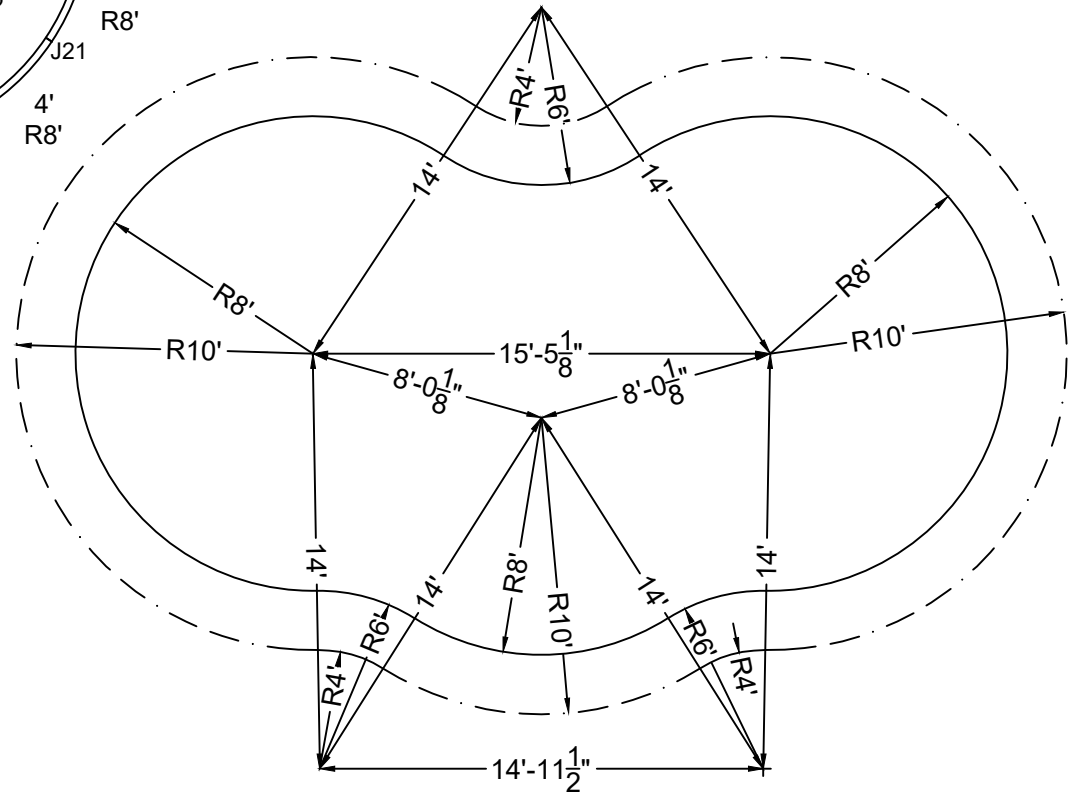


ALL DIMENSIONS ARE FINISHED



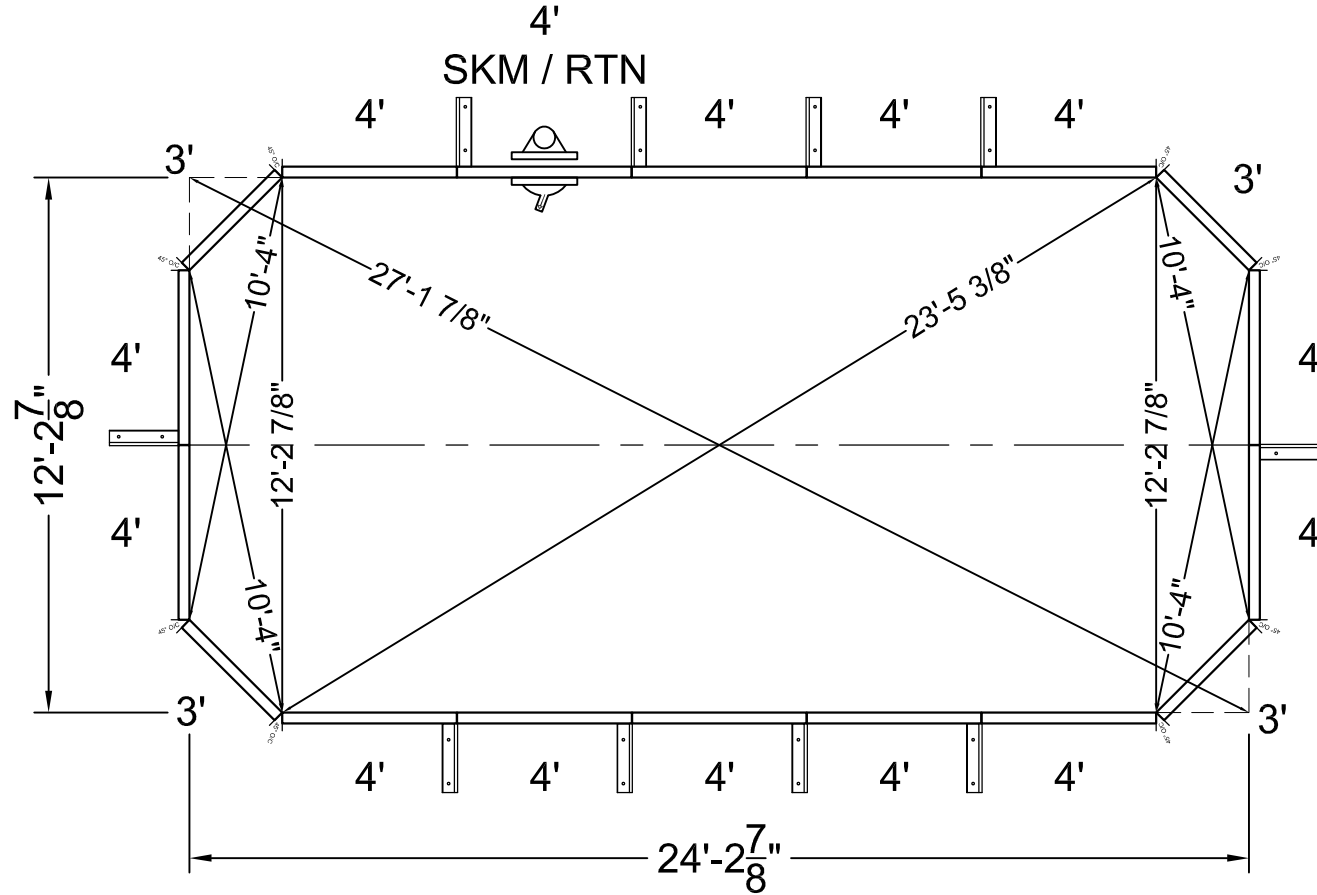
STEEL CHECK

STAKE OUT



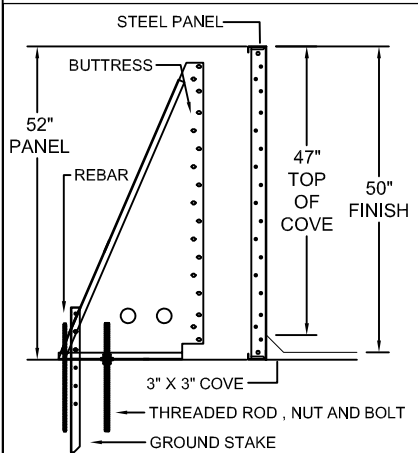


ALL DIMENSIONS ARE FINISHED



BRACE / HARDWARE OPTIONS	
QTY	DESCRIPTION
8	45° Outside Corner Angle
10	Buttress Supports
10	Steel Rebar 18" + Ground Stakes
10	3/4" Threaded Rod / Nut and Washer
190	Hardware Bolts / Nuts
80	Grecian Hardware
36	Strengthening Straps

WALL SECTION DETAILS

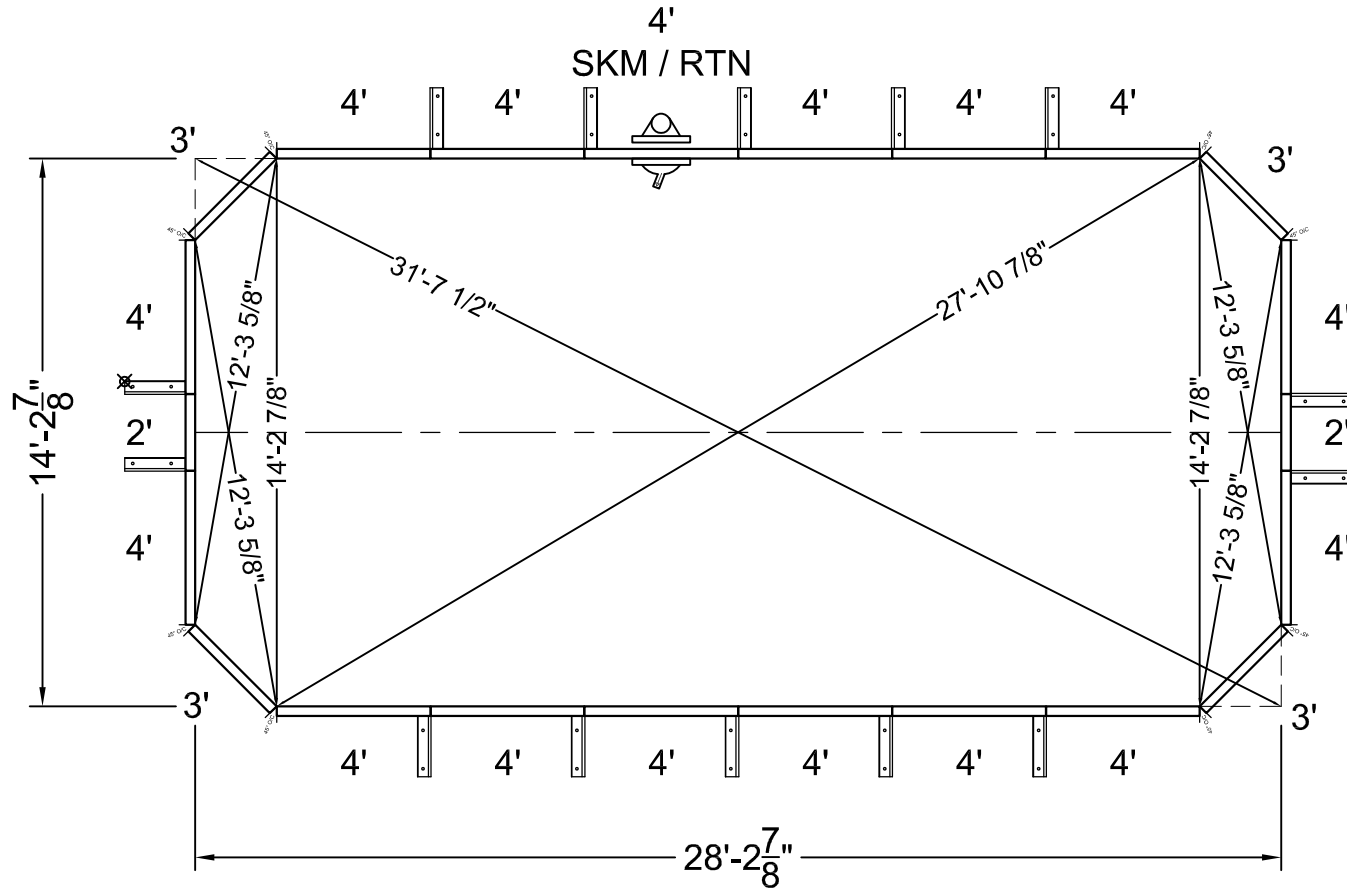


- 52" INCH WALL HEIGHT POOL KITS**
- STEEL PANELS MUST BE BURIED 36" IN THE GROUND & BACKFILLED.
  - POOL MUST HAVE A POURED CONCRETE COLLAR.
  - EACH PANEL JOINT MUST BE SECURED WITH 19 NUTS & BOLTS.
  - GRECIAN CORNER JOINTS REQUIRES 10 ANGLE NUT AND BOLTS.
  - STRENGTHENING STRAPS MUST BE INSTALLED ON ALL PANEL JOINTS - 2 PER JOINT.
  - IF POOL FINISH IS DIFFERENT THAN WALL SECTION DETAIL THE FINISH MUST BE PROVIDED ON LINDER ORDER.
  - THE USE OF CHLORINE GENERATORS VOIDS STEEL WARRANTY.
- NON COMPLIANCE VOIDS WARRANTY**

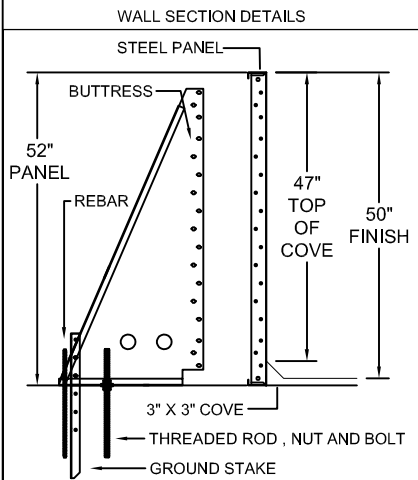
SHAPE : GRECIAN	SIZE : 12'-3" X 24'-3"	HAND : NONE	PANEL HEIGHT : 4'-4"	PANEL TYPE : 3" TOP
PERIMETER : 67'-11 27/32"	VOLUME : 9,325 US GAL.	SURFACE AREA : 287.682 SQ. FT.	SCALE : N.T.S	DRAWN BY : ALG
DWG # : GRECIAN 12X24	DATE : 9/13/2018	REVISION # : 01	KIT REF : GRECIAN 12X24-X	<b>A</b>



ALL DIMENSIONS ARE FINISHED



BRACE / HARDWARE OPTIONS	
QTY	DESCRIPTION
8	45° Outside Corner Angle
14	Buttress Supports
14	Steel Rebar 18" + Ground Stakes
14	3/4" Threaded Rod / Nut and Washer
266	Hardware Bolts / Nuts
80	Grecian Hardware
44	Strengthening Straps



**52" INCH WALL HEIGHT POOL KITS**

- STEEL PANELS MUST BE BURIED 36" IN THE GROUND & BACKFILLED.
- POOL MUST HAVE A POURED CONCRETE COLLAR.
- EACH PANEL JOINT MUST BE SECURED WITH 19 NUTS & BOLTS.
- GRECIAN CORNER JOINTS REQUIRES 10 ANGLE NUT AND BOLTS.
- STRENGTHENING STRAPS MUST BE INSTALLED ON ALL PANEL JOINTS - 2 PER JOINT.
- IF POOL FINISH IS DIFFERENT THAN WALL SECTION DETAIL THE FINISH MUST BE PROVIDED ON LINDER ORDER.
- THE USE OF CHLORINE GENERATORS VOIDS STEEL WARRANTY.

**NON COMPLIANCE VOIDS WARRANTY**

SHAPE : <b>GRECIAN</b>	SIZE : <b>14'-3" X 28'-3"</b>	HAND : <b>NONE</b>	PANEL HEIGHT : <b>4'-4"</b>	PANEL TYPE : <b>3" TOP</b>
PERIMETER : <b>79'-11 27/32"</b>	VOLUME : <b>12,743 US GAL.</b>	SURFACE AREA : <b>393.120 SQ. FT.</b>	SCALE : <b>N.T.S</b>	DRAWN BY : <b>ALG</b>
DWG # : <b>GRECIAN 14X28</b>	DATE : <b>9/13/2018</b>	REVISION # : <b>01</b>	KIT REF : <b>GRECIAN 14X28-X</b>	<b>A</b>

16 X 32

ALL DIMENSIONS ARE FINISHED



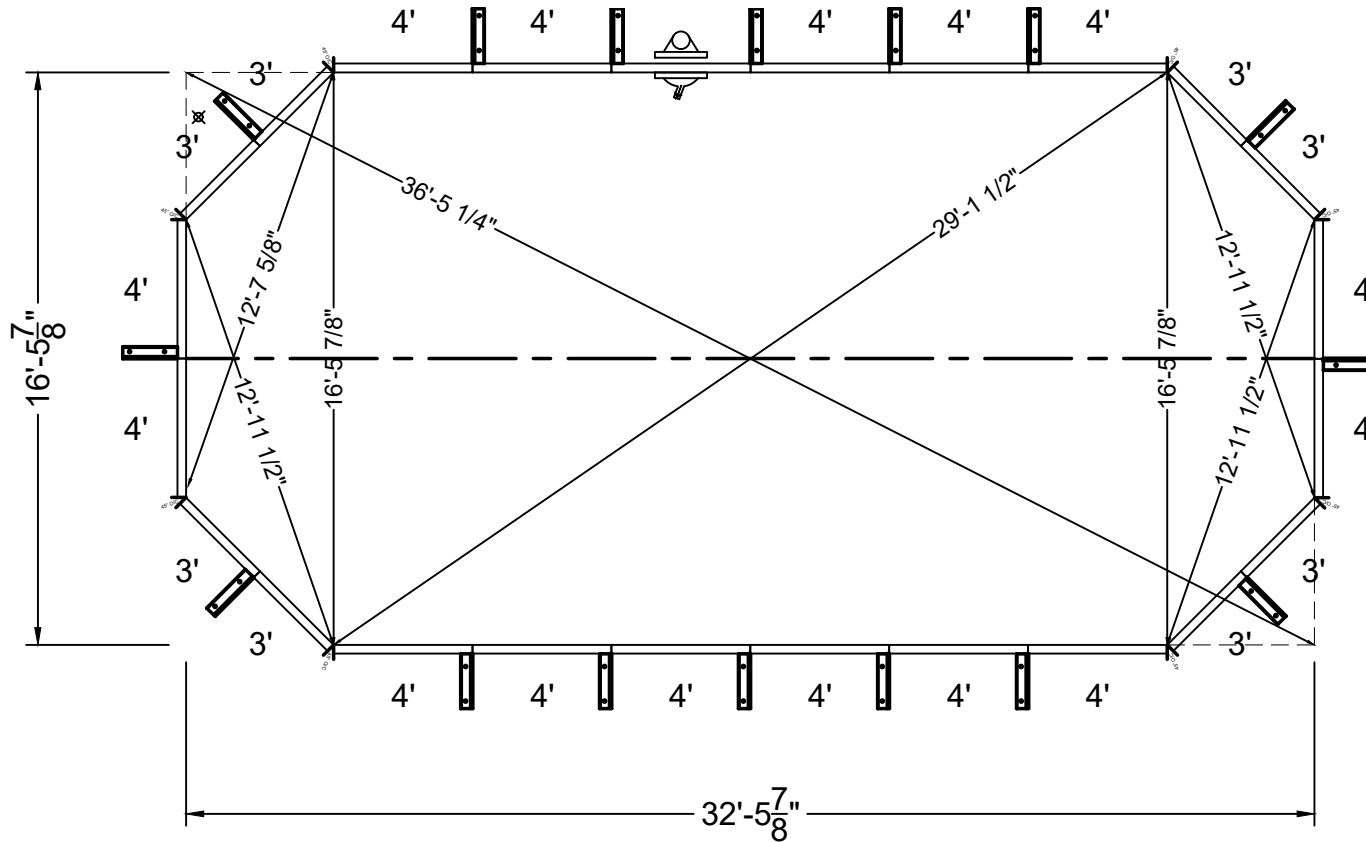
## NON-DIVING POOL

USE OF DIVING EQUIPMENT IS PROHIBITED

DOES NOT MEET DEPTH AND SHAPE MINIMUM STANDARD ANSI/NSPI5-2003

SKM/RTN

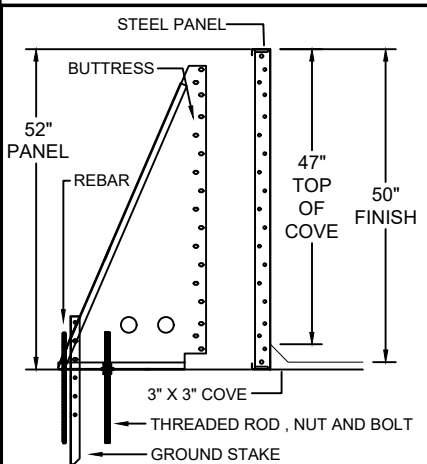
4'



BRACE / HARDWARE OPTIONS

QTY	DESCRIPTION
8	45° Outside Corner Angle
17	Buttress Supports
17	Steel Rebar 18" + Ground Stakes
17	3/4" Threaded Rod / Nut and Washer
323	Hardware Bolts / Nuts
80	Grecian Hardware
50	Strengthening Straps

WALL SECTION DETAILS



52" INCH WALL HEIGHT POOL KITS

1. - STEEL PANELS MUST BE BURIED 35" IN THE GROUND & BACKFILLED.
2. - POOL MUST HAVE A POURED CONCRETE COLLAR.
3. - EACH PANEL JOINT MUST BE SECURED WITH 19 NUTS & BOLTS.
4. - GRECIAN CORNER JOINTS REQUIRES 10 ANGLE NUT AND BOLTS.
5. - STRENGTHENING STRAPS MUST BE INSTALLED ON ALL PANEL JOINTS - 2 PER JOINT.
6. - IF POOL FINISH IS DIFFERENT THAN WALL SECTION DETAIL THE FINISH MUST BE PROVIDED ON LINDER ORDER.
7. - THE USE OF CHLORINE GENERATORS VOIDS STEEL WARRANTY.

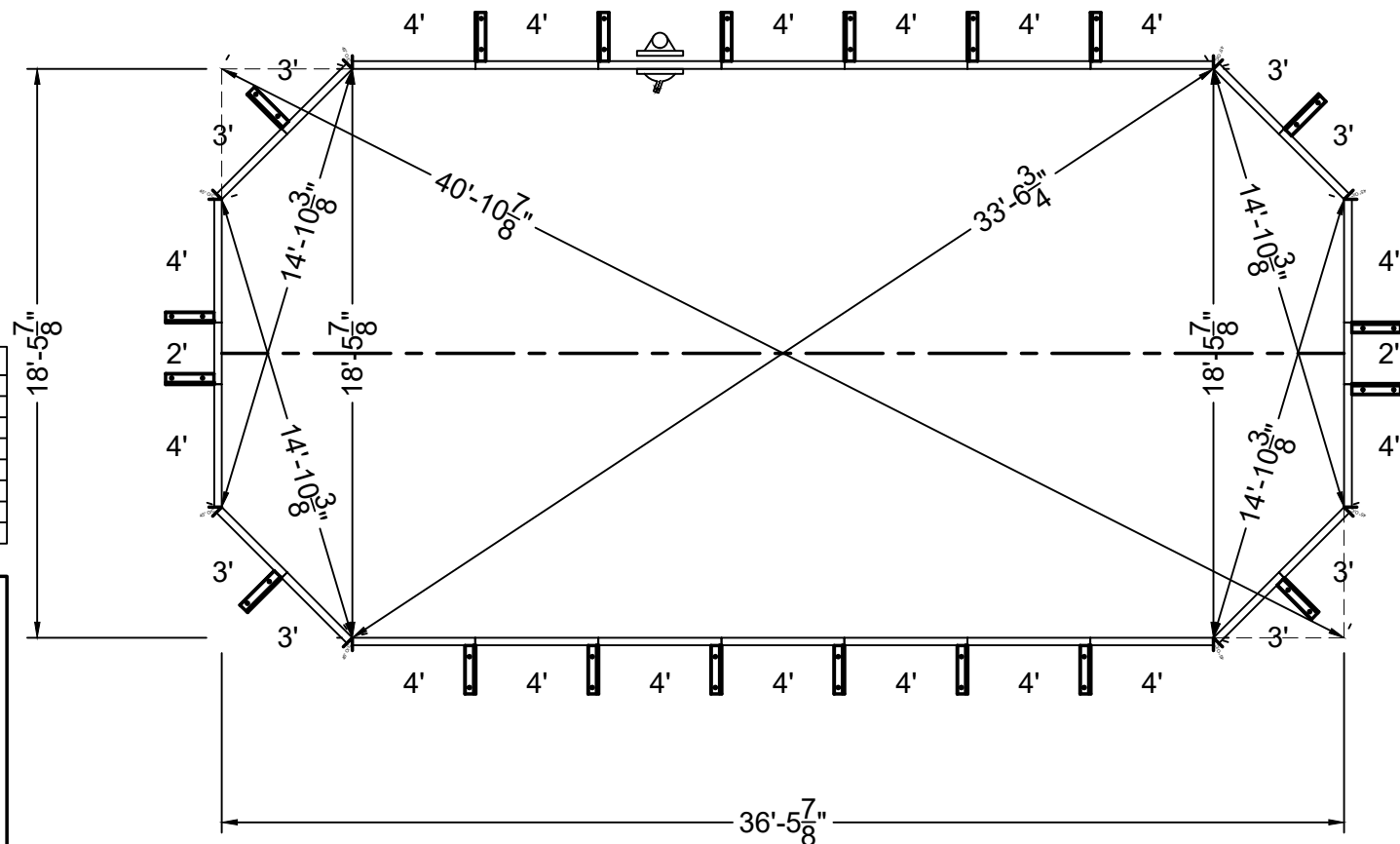
NON COMPLIANCE VOIDS WARRANTY

SHAPE : GRECIAN	SIZE : 16'-6" X 32'-6"	HAND : NONE	PANEL HEIGHT : 4'-4"	PANEL TYPE : 5" TOP
PERIMETER : 88'-0 7/32"	VOLUME : 16,199 US GAL.	SURFACE AREA : 499.739 SQ. FT.	SCALE : N.T.S	DRAWN BY : ALG
DWG # : GRECIAN 16X32	DATE : 2018-09-13	REVISION # : 02	KIT REF : GRECIAN 16X32-X	<b>A</b>



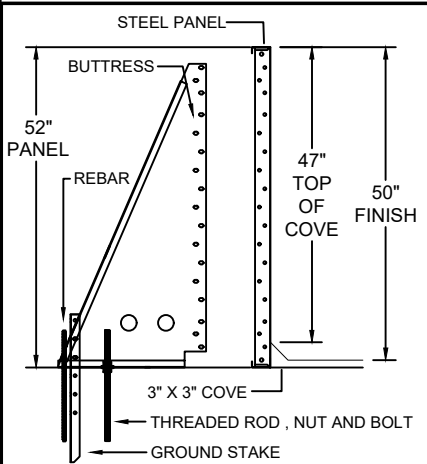
SK/RT

4'



BRACE / HARDWARE OPTIONS	
QTY	DESCRIPTION
8	45° Outside Corner Angle
20	Buttress Supports
20	Steel Rebar 18" + Ground Stakes
20	3/4" Threaded Rod / Nut and Washer
380	Hardware Bolts / Nuts
80	Grecian Hardware
56	Strengthening Straps

WALL SECTION DETAILS

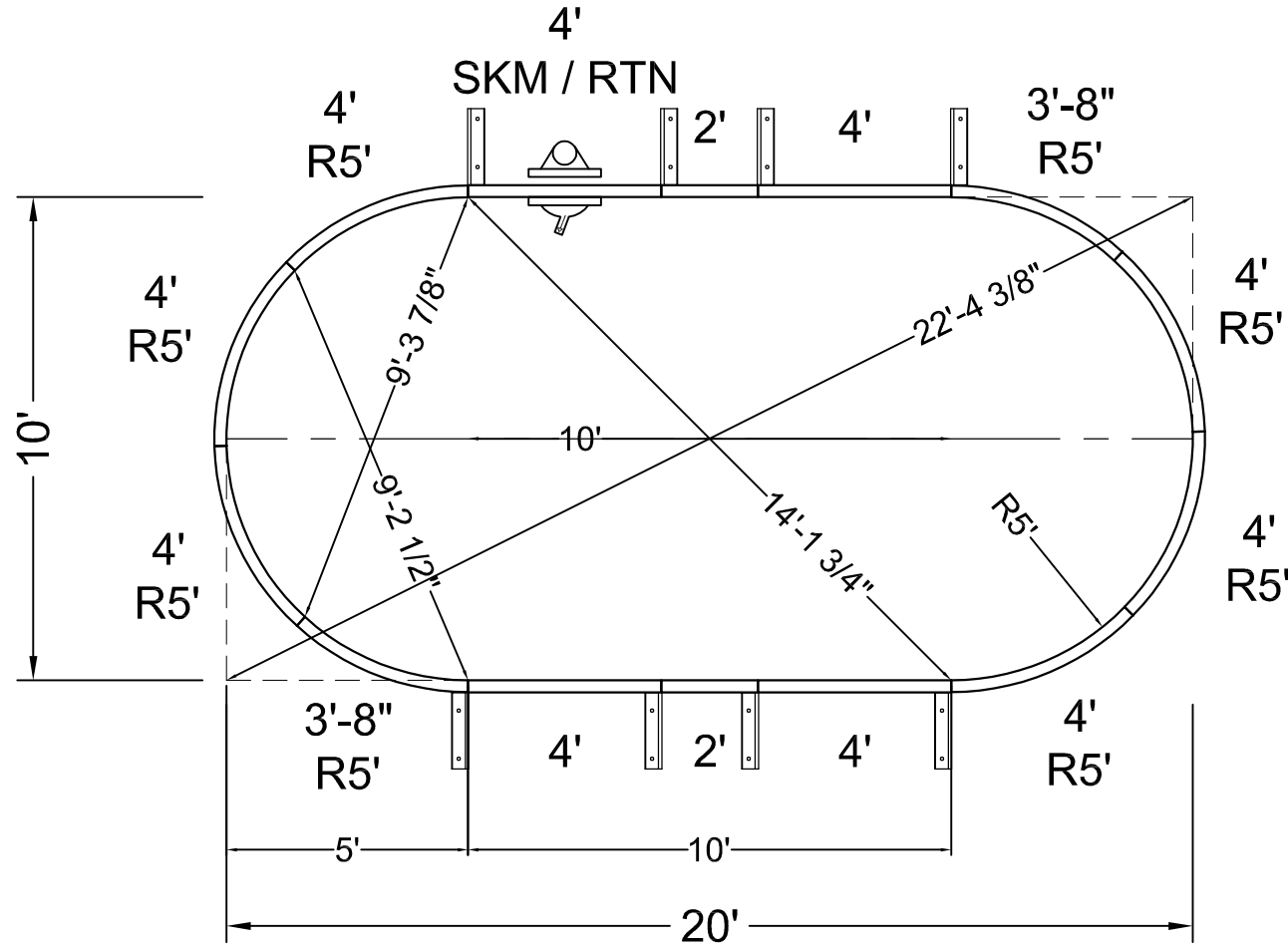


- 52" INCH WALL HEIGHT POOL KITS**
1. - STEEL PANELS MUST BE BURIED 35" IN THE GROUND & BACKFILLED.
  2. - POOL MUST HAVE A POURED CONCRETE COLLAR.
  3. - EACH PANEL JOINT MUST BE SECURED WITH 19 NUTS & BOLTS.
  4. - GRECIAN CORNER JOINTS REQUIRES 10 ANGLE NUT AND BOLTS.
  5. - STRENGTHENING STRAPS MUST BE INSTALLED ON ALL PANEL JOINTS - 2 PER JOINT.
  6. - IF POOL FINISH IS DIFFERENT THAN WALL SECTION DETAIL THE FINISH MUST BE PROVIDED ON LINDER ORDER.
  7. - THE USE OF CHLORINE GENERATORS VOIDS STEEL WARRANTY.
- NON COMPLIANCE VOIDS WARRANTY**

SHAPE : GRECIAN	SIZE : 18'-6" X 36'-6"	HAND : NONE	PANEL HEIGHT : 4'-4"	PANEL TYPE : 3" TOP
PERIMETER : 100'-0 7/32"	VOLUME : 20,703 US GAL.	SURFACE AREA : 638.677 SQ. FT.	SCALE : N.T.S	DRAWN BY : ALG
DWG # : GRECIAN 18X36	DATE : 2018-09-13	REVISION # : 01 -A	KIT REF : GRECIAN 18X36-X	<b>A</b>

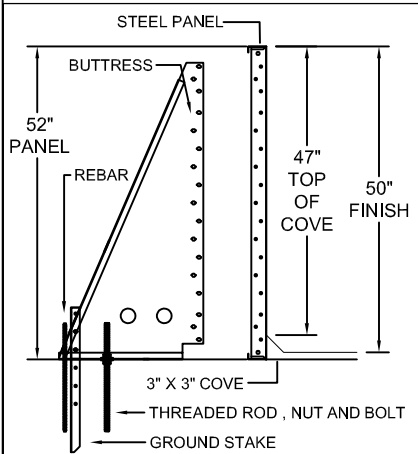


ALL DIMENSIONS ARE FINISHED



BRACE / HARDWARE OPTIONS	
QTY	DESCRIPTION
0	45° Outside Corner Angle
8	Buttress Supports
8	Steel Rebar 18" + Ground Stakes
8	3/4" Threaded Rod / Nut and Washer
266	Hardware Bolts / Nuts
	Grecian Hardware
28	Strengthening Straps

WALL SECTION DETAILS

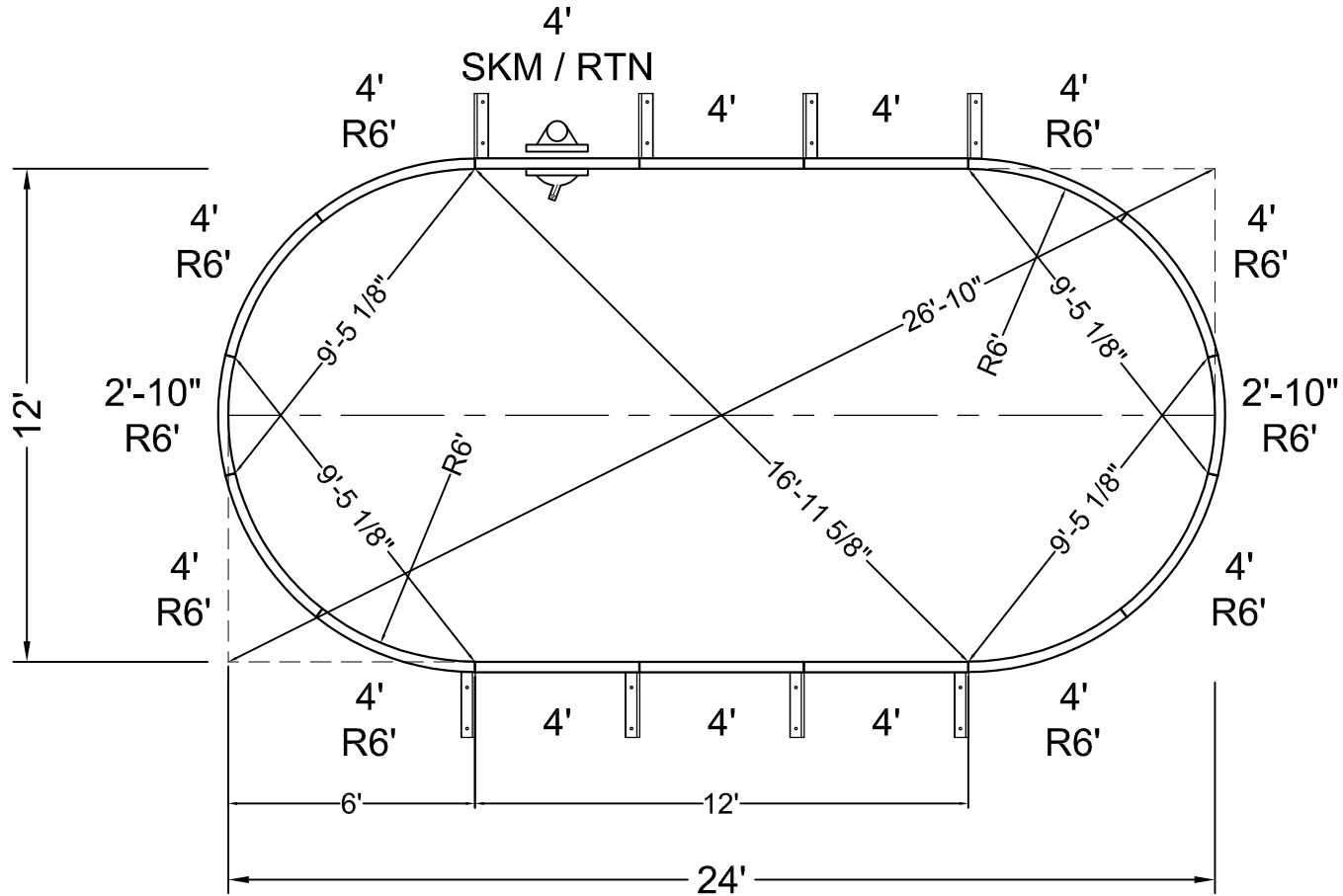


- 52" INCH WALL HEIGHT POOL KITS**
- STEEL PANELS MUST BE BURIED 36" IN THE GROUND & BACKFILLED.
  - POOL MUST HAVE A POURED CONCRETE COLLAR.
  - EACH PANEL JOINT MUST BE SECURED WITH 19 NUTS & BOLTS.
  - GRECIAN CORNER JOINTS REQUIRES 10 ANGLE NUT AND BOLTS.
  - STRENGTHENING STRAPS MUST BE INSTALLED ON ALL PANEL JOINTS - 2 PER JOINT.
  - IF POOL FINISH IS DIFFERENT THAN WALL SECTION DETAIL THE FINISH MUST BE PROVIDED ON LINDER ORDER.
  - THE USE OF CHLORINE GENERATORS VOIDS STEEL WARRANTY.
- NON COMPLIANCE VOIDS WARRANTY**

SHAPE : OVAL	SIZE : 10' X 20'	HAND : NONE	PANEL HEIGHT : 4'-4"	PANEL TYPE : 3" TOP
PERIMETER : 51'-5"	VOLUME : 5,787 US GAL.	SURFACE AREA : 178.540 SQ. FT.	SCALE : N.T.S	DRAWN BY : ALG
DWG # : OVAL 10X20	DATE : 2/4/2020	REVISION # : 01	KIT REF : OVAL 10X20-X	<b>A</b>

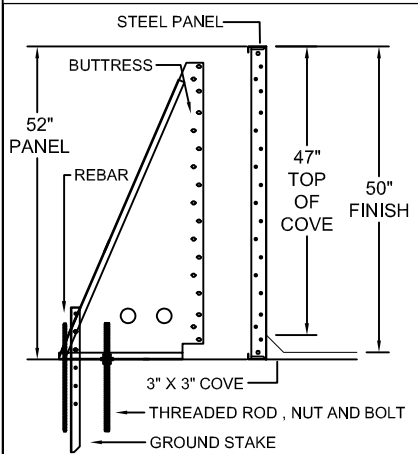


ALL DIMENSIONS ARE FINISHED



BRACE / HARDWARE OPTIONS	
QTY	DESCRIPTION
0	45° Outside Corner Angle
8	Buttress Supports
16	Steel Rebar 18" + Ground Stakes
16	3/4" Threaded Rod / Nut and Washer
304	Hardware Bolts / Nuts
0	Grecian Hardware
32	Strengthening Straps

WALL SECTION DETAILS



**52" INCH WALL HEIGHT POOL KITS**

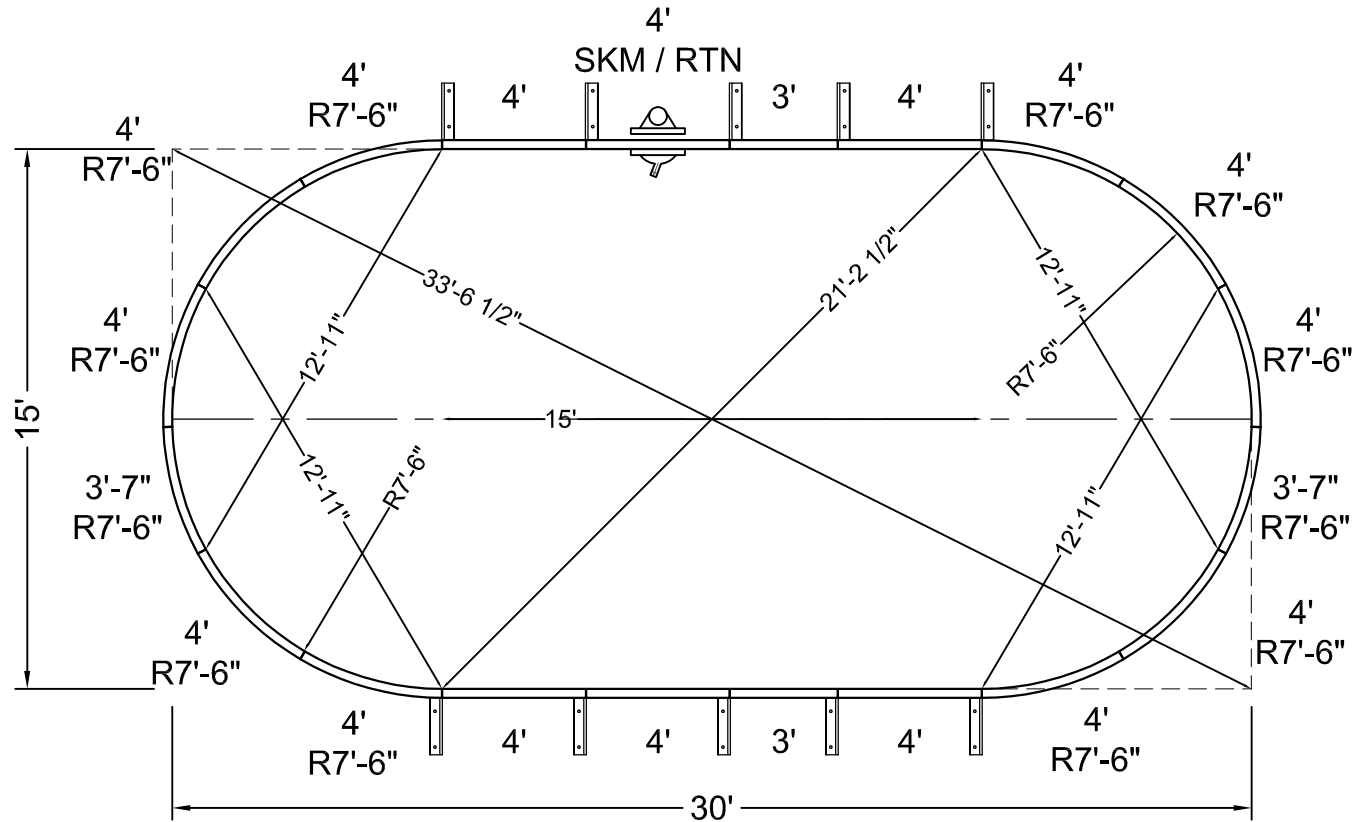
- STEEL PANELS MUST BE BURIED 36" IN THE GROUND & BACKFILLED.
- POOL MUST HAVE A POURED CONCRETE COLLAR.
- EACH PANEL JOINT MUST BE SECURED WITH 19 NUTS & BOLTS.
- GRECIAN CORNER JOINTS REQUIRES 10 ANGLE NUT AND BOLTS.
- STRENGTHENING STRAPS MUST BE INSTALLED ON ALL PANEL JOINTS - 2 PER JOINT.
- IF POOL FINISH IS DIFFERENT THAN WALL SECTION DETAIL THE FINISH MUST BE PROVIDED ON LINDER ORDER.
- THE USE OF CHLORINE GENERATORS VOIDS STEEL WARRANTY.

**NON COMPLIANCE VOIDS WARRANTY**

SHAPE : OVAL	SIZE : 12' X 24'	HAND : NONE	PANEL HEIGHT : 4'-4"	PANEL TYPE : 3" TOP
PERIMETER : 61'-8 3/8"	VOLUME : 8,334 US GAL.	SURFACE AREA : 257.097 SQ. FT.	SCALE : N.T.S	DRAWN BY : ALG
DWG # : OVAL 12X24	DATE : 2/4/2020	REVISION # : 01	KIT REF : OVAL 12X24-X	<b>A</b>

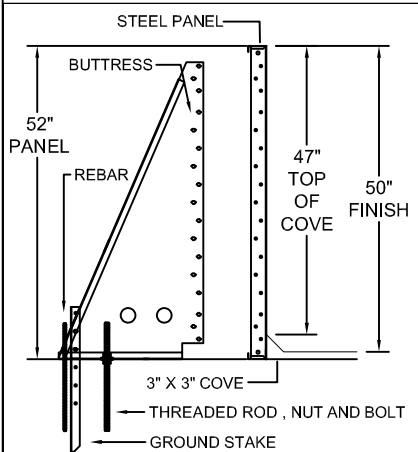


ALL DIMENSIONS ARE FINISHED



BRACE / HARDWARE OPTIONS	
QTY	DESCRIPTION
0	45° Outside Corner Angle
10	Buttress Supports
10	Steel Rebar 18" + Ground Stakes
10	3/4" Threaded Rod / Nut and Washer
380	Hardware Bolts / Nuts
0	Grecian Hardware
36	Strengthening Straps

WALL SECTION DETAILS



52" INCH WALL HEIGHT POOL KITS

1. - STEEL PANELS MUST BE BURIED 35" IN THE GROUND & BACKFILLED.
2. - POOL MUST HAVE A POURED CONCRETE COLLAR.
3. - EACH PANEL JOINT MUST BE SECURED WITH 19 NUTS & BOLTS.
4. - GRECIAN CORNER JOINTS REQUIRES 10 ANGLE NUT AND BOLTS.
5. - STRENGTHENING STRAPS MUST BE INSTALLED ON ALL PANEL JOINTS - 2 PER JOINT.
6. - IF POOL FINISH IS DIFFERENT THAN WALL SECTION DETAIL, THE FINISH MUST BE PROVIDED ON LINDER ORDER.
7. - THE USE OF CHLORINE GENERATORS VOIDS STEEL WARRANTY.

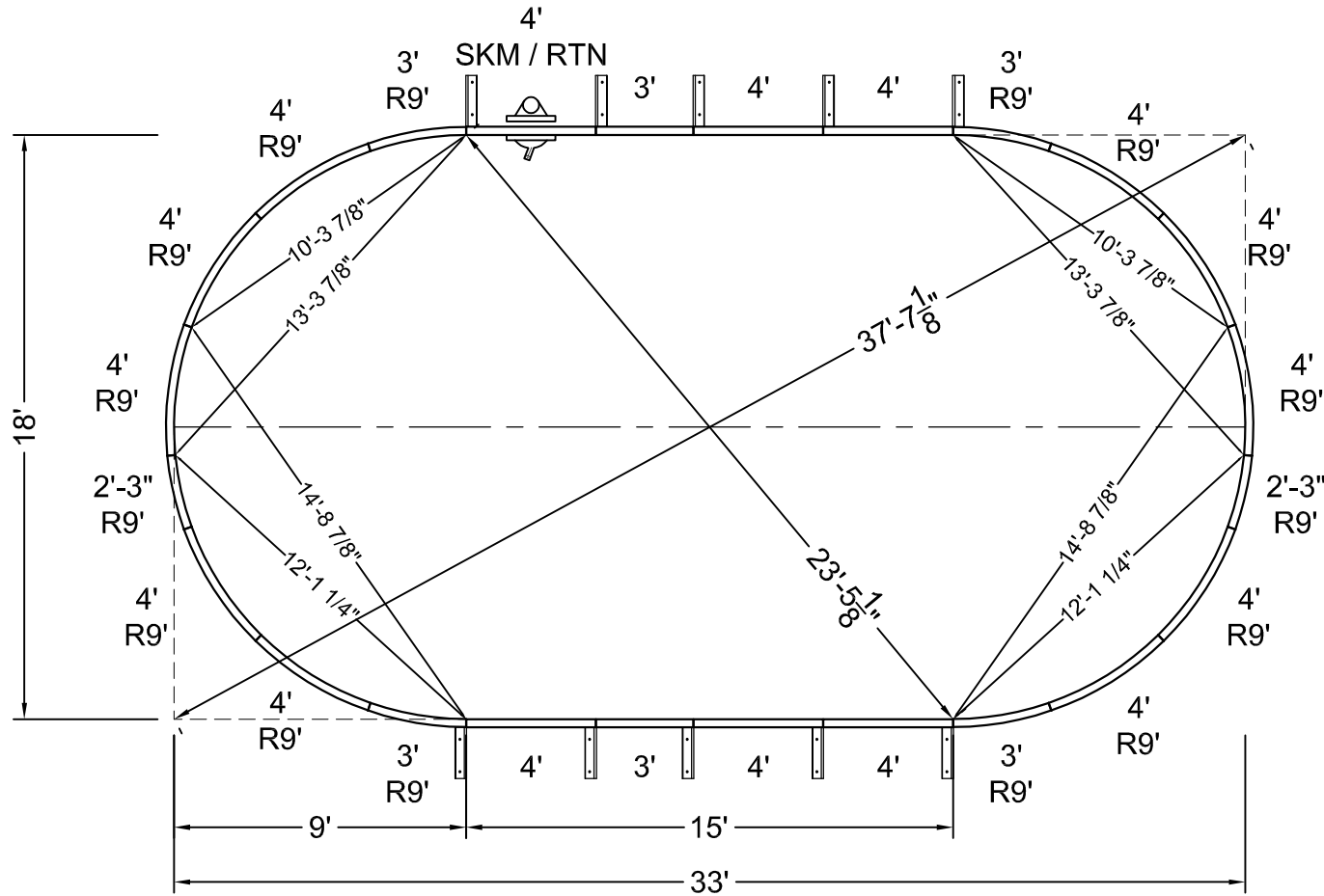
**NON COMPLIANCE VOIDS WARRANTY**

SHAPE : <b>OVAL</b>	SIZE : <b>15' X 30'</b>	HAND : <b>NONE</b>	PANEL HEIGHT : <b>4'-4"</b>	PANEL TYPE : <b>3" TOP</b>
PERIMETER : <b>77'-1 1/2"</b>	VOLUME : <b>13,022 US GAL.</b>	SURFACE AREA : <b>401.715 SQ. FT.</b>	SCALE : <b>N.T.S</b>	DRAWN BY : <b>ALG</b>
DWG # : <b>OVAL 15X30</b>	DATE : <b>9/13/2018</b>	REVISION # : <b>01</b>	KIT REF : <b>OVAL 15X30-X</b>	<b>A</b>

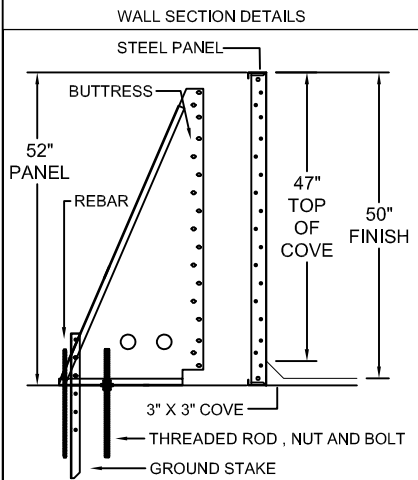




ALL DIMENSIONS ARE FINISHED



BRACE / HARDWARE OPTIONS	
QTY	DESCRIPTION
0	45° Outside Corner Angle
10	Buttress Supports
10	Steel Rebar 18" + Ground Stakes
10	3/4" Threaded Rod / Nut and Washer
456	Hardware Bolts / Nuts
0	Grecian Hardware
48	Strengthening Straps



**52" INCH WALL HEIGHT POOL KITS**

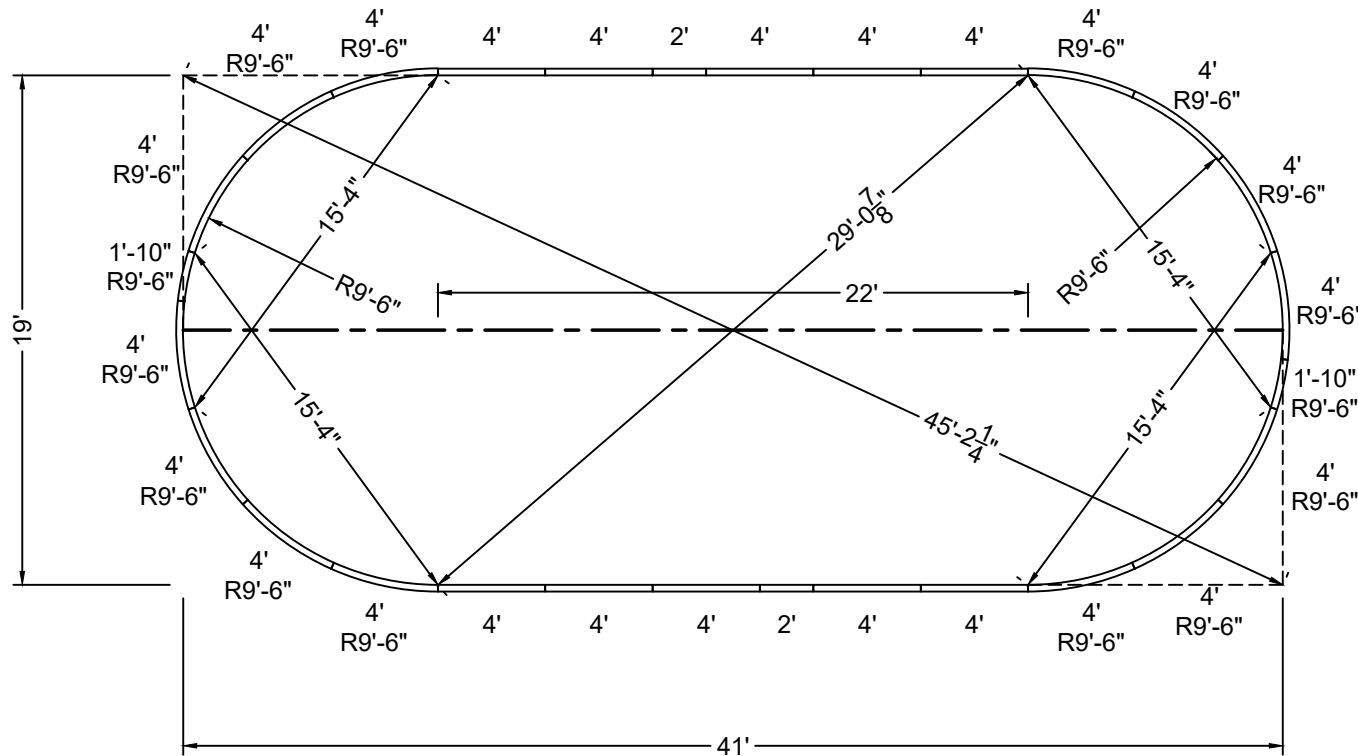
- STEEL PANELS MUST BE BURIED 36" IN THE GROUND & BACKFILLED.
- POOL MUST HAVE A POURED CONCRETE COLLAR.
- EACH PANEL JOINT MUST BE SECURED WITH 19 NUTS & BOLTS.
- GRECIAN CORNER JOINTS REQUIRES 10 ANGLE NUT AND BOLTS.
- STRENGTHENING STRAPS MUST BE INSTALLED ON ALL PANEL JOINTS - 2 PER JOINT.
- IF POOL FINISH IS DIFFERENT THAN WALL SECTION DETAIL THE FINISH MUST BE PROVIDED ON LINDER ORDER.
- THE USE OF CHLORINE GENERATORS VOIDS STEEL WARRANTY.

**NON COMPLIANCE VOIDS WARRANTY**

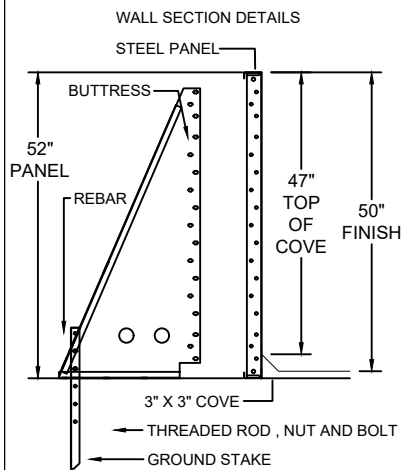
SHAPE : OVAL	SIZE : 18' X 33'	HAND : NONE	PANEL HEIGHT : 4'-4"	PANEL TYPE : 3" TOP
PERIMETER : 86'-6 19/32"	VOLUME : 17,001 US GAL.	SURFACE AREA : 524.469 SQ. FT.	SCALE : N.T.S	DRAWN BY : ALG
DWG # : OVAL 18X33	DATE : 2/4/2020	REVISION # : 01	KIT REF : OVAL 18X33-X	<b>A</b>



ALL DIMENSIONS ARE FINISHED



BRACE / HARDWARE OPTIONS	
QTY	DESCRIPTION
	45° Outside Corner Angle
	Buttress Supports
	Steel Rebar 18" + Ground Stakes
	3/4" Threaded Rod / Nut and Washer
	Hardware Bolts / Nuts
	Grecian Hardware
	Strengthening Straps



**52" INCH WALL HEIGHT POOL KITS**

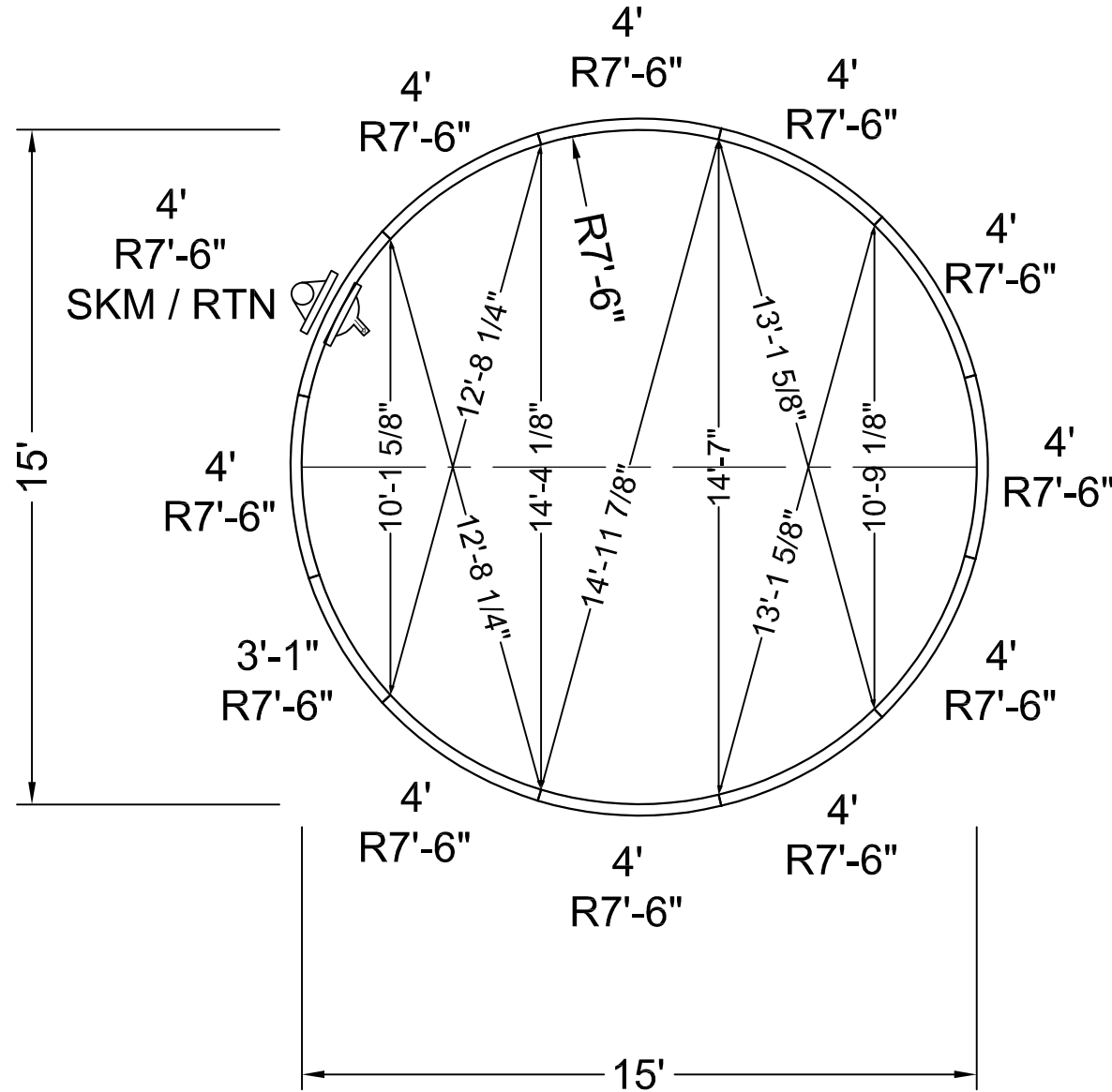
1. - STEEL PANELS MUST BE BURIED 35" IN THE GROUND & BACKFILLED.
2. - POOL MUST HAVE A FOURED CONCRETE COLLAR.
3. - EACH PANEL JOINT MUST BE SECURED WITH 19 NUTS & BOLTS.
4. - GRECIAN CORNER JOINTS REQUIRES 10 ANGLE NUT AND BOLTS.
5. - STRENGTHENING STRAPS MUST BE INSTALLED ON ALL PANEL JOINTS - 2 PER JOINT.
6. - IF POOL FINISH IS DIFFERENT THAN WALL SECTION DETAIL THE FINISH MUST BE PROVIDED ON LINER ORDER.
7. - THE USE OF CHLORINE GENERATORS VOIDS STEEL WARRANTY.

**NON COMPLIANCE VOIDS WARRANTY**

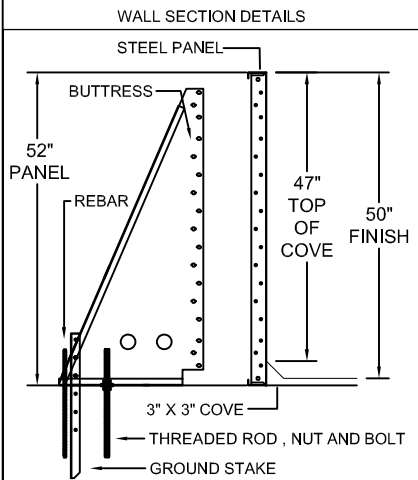
SHAPE : <b>OVAL</b>	SIZE : <b>19' X 41'</b>	HAND : <b>NONE</b>	PANEL HEIGHT : <b>4'-4"</b>	PANEL TYPE : <b>5" TOP</b>
PERIMETER : <b>103'-8 9/32"</b>	VOLUME : <b>22,740 US GAL.</b>	SURFACE AREA : <b>701.529 SQ. FT.</b>	SCALE : <b>N.T.S</b>	DRAWN BY : <b>BCC/RR</b>
DWG # : <b>OVAL 19X41</b>	DATE : <b>2021-06-07</b>	REVISION # : <b>01-A</b>	KIT REF : <b>OVAL 19X41-X</b>	<b>A</b>



ALL DIMENSIONS ARE FINISHED



BRACE / HARDWARE OPTIONS	
QTY	DESCRIPTION
0	45° Outside Corner Angle
0	Buttress Supports
0	Steel Rebar 18" + Ground Stakes
0	3/4" Threaded Rod / Nut and Washer
228	Hardware Bolts / Nuts
0	Grecian Hardware
24	Strengthening Straps



**52" INCH WALL HEIGHT POOL KITS**

- STEEL PANELS MUST BE BURIED 36" IN THE GROUND & BACKFILLED.
- POOL MUST HAVE A POURED CONCRETE COLLAR.
- EACH PANEL JOINT MUST BE SECURED WITH 19 NUTS & BOLTS.
- GRECIAN CORNER JOINTS REQUIRES 10 ANGLE NUT AND BOLTS.
- STRENGTHENING STRAPS MUST BE INSTALLED ON ALL PANEL JOINTS - 2 PER JOINT.
- IF POOL FINISH IS DIFFERENT THAN WALL SECTION DETAIL THE FINISH MUST BE PROVIDED ON LINDER ORDER.
- THE USE OF CHLORINE GENERATORS VOIDS STEEL WARRANTY.

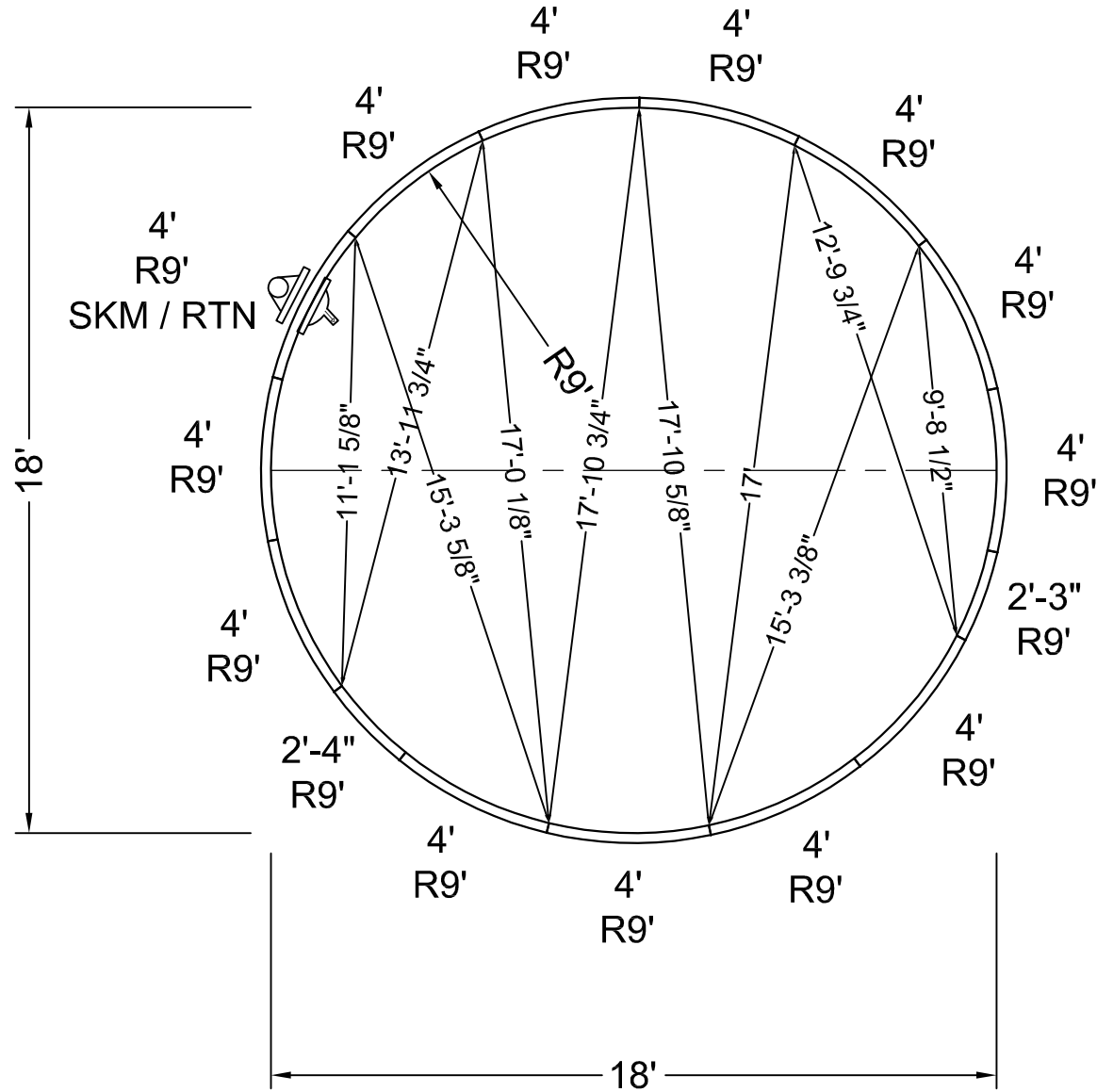
**NON COMPLIANCE VOIDS WARRANTY**

SHAPE : <b>ROUND</b>	SIZE : <b>15' X 15'</b>	HAND : <b>NONE</b>	PANEL HEIGHT : <b>4'-4"</b>	PANEL TYPE : <b>3" TOP</b>
PERIMETER : <b>47'-1 1/2"</b>	VOLUME : <b>5,728 US GAL.</b>	SURFACE AREA : <b>176.715 SQ. FT.</b>	SCALE : <b>N.T.S</b>	DRAWN BY : <b>ALG</b>
DWG # : <b>ROUND 15D</b>	DATE : <b>9/13/2018</b>	REVISION # : <b>01</b>	KIT REF : <b>ROUND 15D-X</b>	<b>A</b>



DOES NOT MEET DEPTH AND SHAPE MINIMUM STANDARD ANSI/NSPI5-2003

ALL DIMENSIONS ARE FINISHED



52" INCH WALL HEIGHT POOL KITS

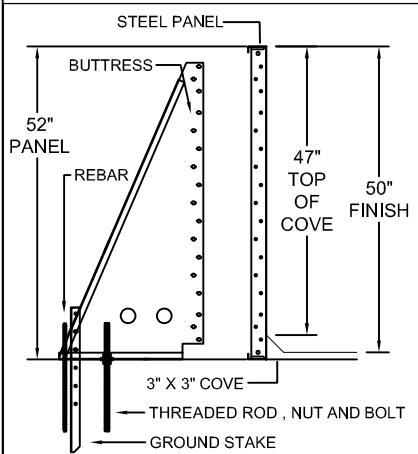
- 1.- STEEL PANELS MUST BE BURIED 36" IN THE GROUND & BACKFILLED.
- 2.- POOL MUST HAVE A FURRED CONCRETE COLLAR.
- 3.- EACH PANEL JOINT MUST BE SECURED WITH 19 NUTS & BOLTS.
- 4.- GRECIAN CORNER JOINTS REQUIRES 10 ANGLE NUT AND BOLTS.
- 5.- STRENGTHENING STRAPS MUST BE INSTALLED ON ALL PANEL JOINTS - 2 PER JOINT.
- 6.- IF POOL FINISH IS DIFFERENT THAN WALL SECTION DETAIL THE FINISH MUST BE PROVIDED ON LINDER ORDER.
- 7.- THE USE OF CHLORINE GENERATORS VOIDS STEEL WARRANTY.

**NON COMPLIANCE VOIDS WARRANTY**

BRACE / HARDWARE OPTIONS

QTY	DESCRIPTION
0	45° Outside Corner Angle
0	Buttress Supports
0	Steel Rebar 18" + Ground Stakes
0	3/4" Threaded Rod / Nut and Washer
285	Hardware Bolts / Nuts
0	Grecian Hardware
30	Strengthening Straps

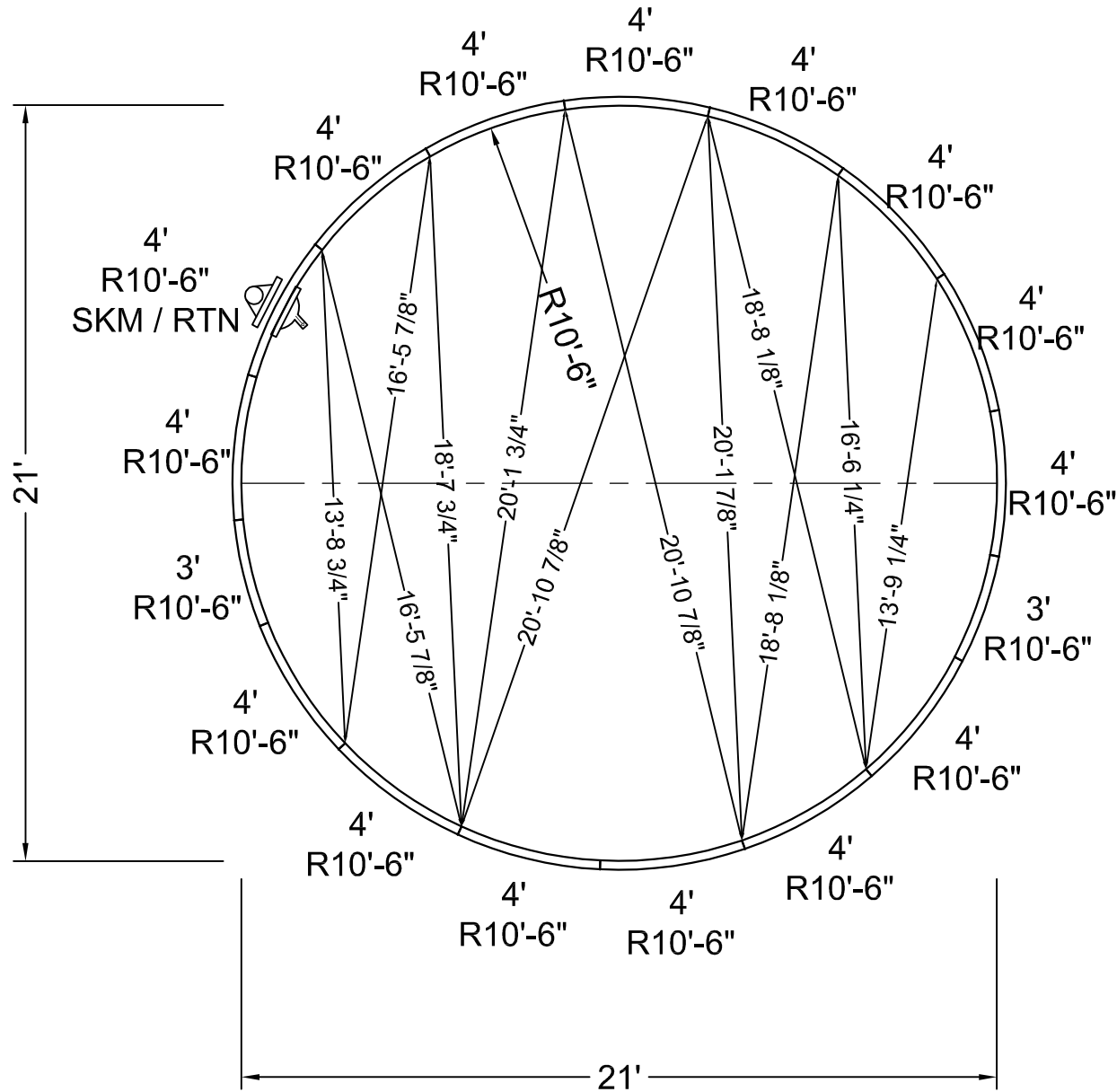
WALL SECTION DETAILS



SHAPE : <b>ROUND</b>	SIZE : <b>18' X 18'</b>	HAND : <b>NONE</b>	PANEL HEIGHT : <b>4'-4"</b>	PANEL TYPE : <b>3" TOP</b>
PERIMETER : <b>56'-6 19/32"</b>	VOLUME : <b>8,249 US GAL.</b>	SURFACE AREA : <b>254.469 SQ. FT.</b>	SCALE : <b>N.T.S</b>	DRAWN BY : <b>ALG</b>
DWG # : <b>ROUND 18D</b>	DATE : <b>9/13/2018</b>	REVISION # : <b>01</b>	KIT REF : <b>ROUND 18D-X</b>	<b>A</b>



ALL DIMENSIONS ARE FINISHED



52" INCH WALL HEIGHT POOL KITS

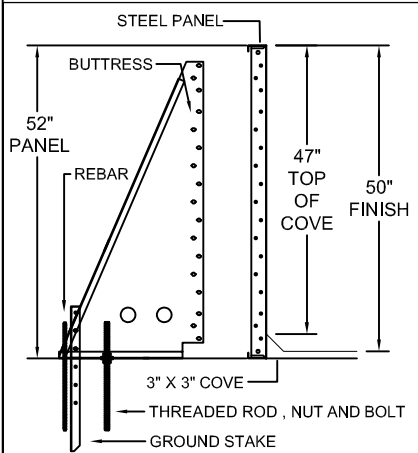
- 1.- STEEL PANELS MUST BE BURIED 36" IN THE GROUND & BACKFILLED.
- 2.- POOL MUST HAVE A FOURS CONCRETE COLLAR.
- 3.- EACH PANEL JOINT MUST BE SECURED WITH 19 NUTS & BOLTS.
- 4.- GRECIAN CORNER JOINTS REQUIRES 10 ANGLE NUT AND BOLTS.
- 5.- STRENGTHENING STRAPS MUST BE INSTALLED ON ALL PANEL JOINTS - 2 PER JOINT.
- 6.- IF POOL FINISH IS DIFFERENT THAN WALL SECTION DETAIL THE FINISH MUST BE PROVIDED ON LINDER ORDER.
- 7.- THE USE OF CHLORINE GENERATORS VOIDS STEEL WARRANTY.

**NON COMPLIANCE VOIDS WARRANTY**

BRACE / HARDWARE OPTIONS

QTY	DESCRIPTION
0	45° Outside Corner Angle
0	Buttress Supports
0	Steel Rebar 18" + Ground Stakes
0	3/4" Threaded Rod / Nut and Washer
323	Hardware Bolts / Nuts
0	Greccian Hardware
34	Strengthening Straps

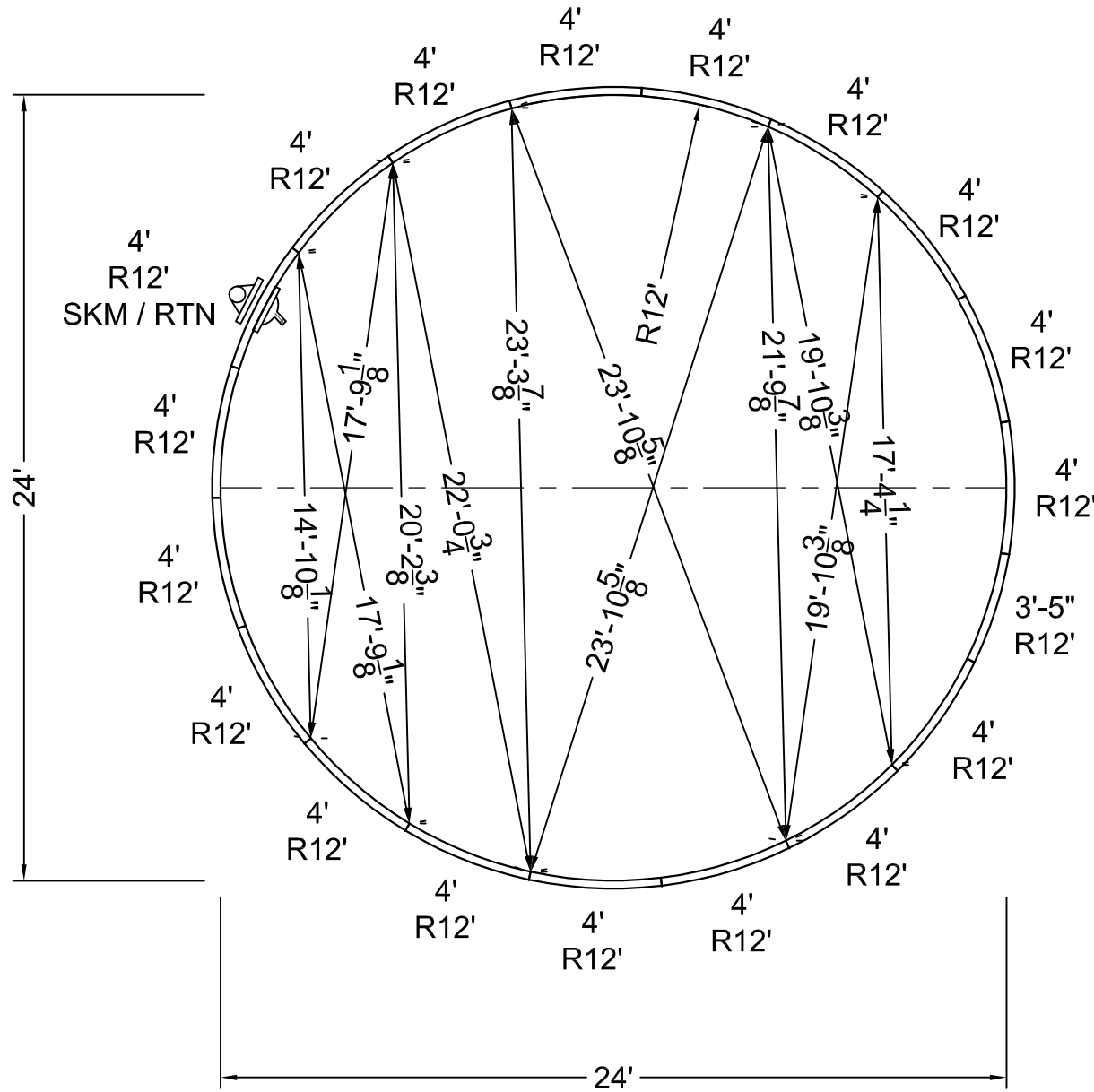
WALL SECTION DETAILS



SHAPE : <b>ROUND</b>	SIZE : <b>21' X 21'</b>	HAND : <b>NONE</b>	PANEL HEIGHT : <b>4'-4"</b>	PANEL TYPE : <b>3" TOP</b>
PERIMETER : <b>65'-11 11/16"</b>	VOLUME : <b>11,227 US GAL.</b>	SURFACE AREA : <b>346.361 SQ. FT.</b>	SCALE : <b>N.T.S</b>	DRAWN BY : <b>ALG</b>
DWG # : <b>ROUND 21D</b>	DATE : <b>9/13/2018</b>	REVISION # : <b>01</b>	KIT REF : <b>ROUND 21D-X</b>	<b>A</b>



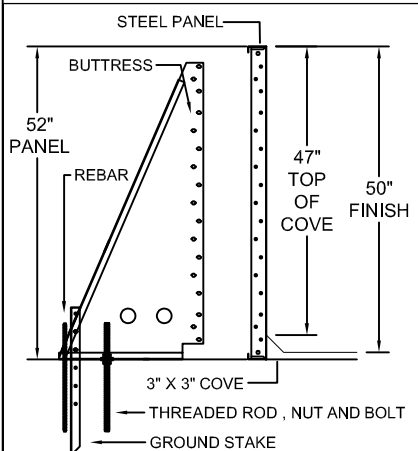
ALL DIMENSIONS ARE FINISHED



BRACE / HARDWARE OPTIONS

QTY	DESCRIPTION
0	45° Outside Corner Angle
0	Buttress Supports
0	Steel Rebar 18" + Ground Stakes
0	3/4" Threaded Rod / Nut and Washer
361	Hardware Bolts / Nuts
0	Grecian Hardware
38	Strengthening Straps

WALL SECTION DETAILS



52" INCH WALL HEIGHT POOL KITS

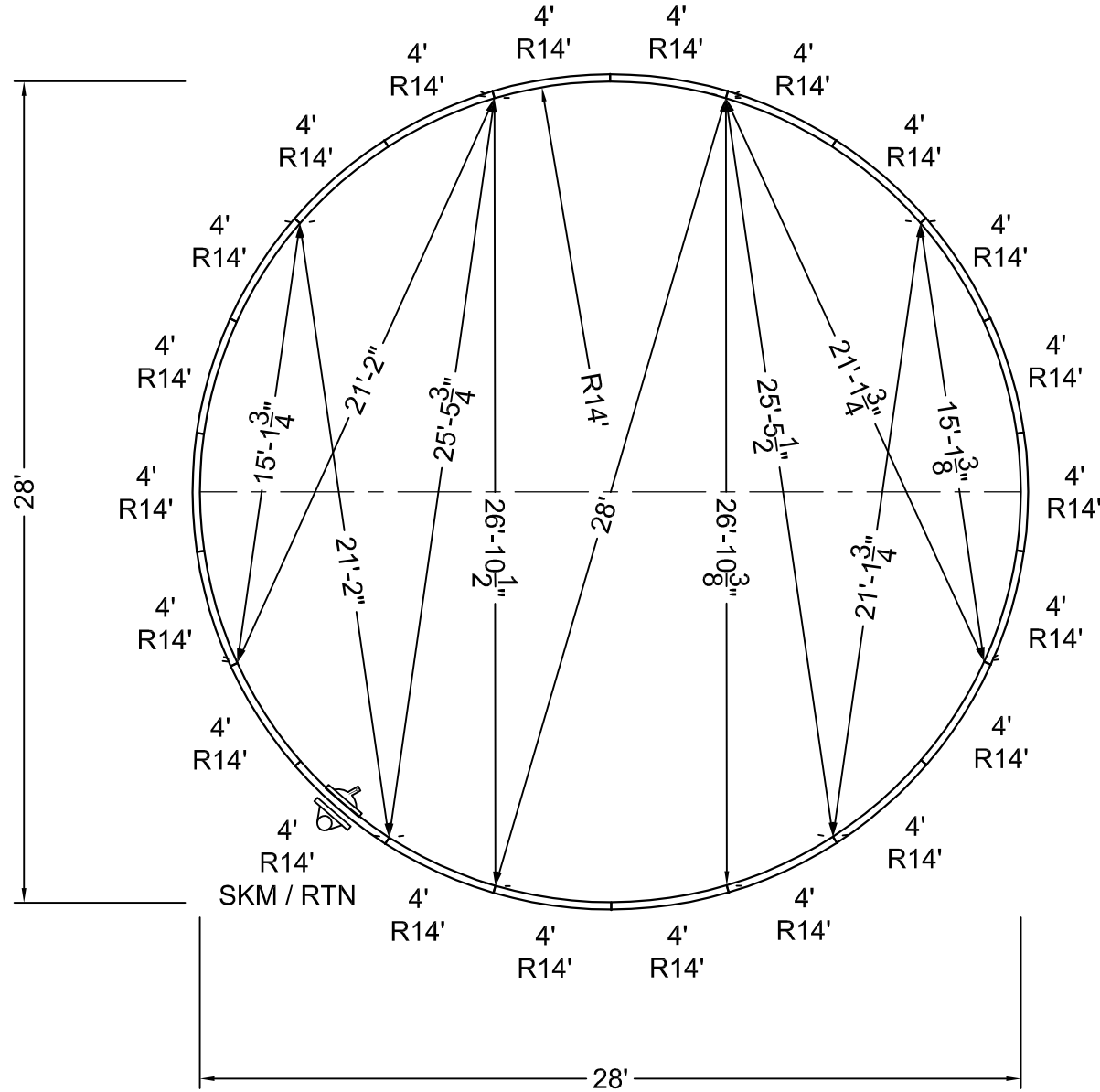
- 1.- STEEL PANELS MUST BE BURIED 36" IN THE GROUND & BACKFILLED.
- 2.- POOL MUST HAVE A FOURED CONCRETE COLLAR.
- 3.- EACH PANEL JOINT MUST BE SECURED WITH 19 NUTS & BOLTS.
- 4.- GRECIAN CORNER JOINTS REQUIRES 10 ANGLE NUT AND BOLTS.
- 5.- STRENGTHENING STRAPS MUST BE INSTALLED ON ALL PANEL JOINTS - 2 PER JOINT.
- 6.- IF POOL FINISH IS DIFFERENT THAN WALL SECTION DETAIL THE FINISH MUST BE PROVIDED ON LINDER ORDER.
- 7.- THE USE OF CHLORINE GENERATORS VOIDS STEEL WARRANTY.

**NON COMPLIANCE VOIDS WARRANTY**

SHAPE : <b>ROUND</b>	SIZE : <b>24' X 24'</b>	HAND : <b>NONE</b>	PANEL HEIGHT : <b>4'-4"</b>	PANEL TYPE : <b>3" TOP</b>
PERIMETER : <b>75'-4 25/32"</b>	VOLUME : <b>14,664 US GAL.</b>	SURFACE AREA : <b>452.389 SQ. FT.</b>	SCALE : <b>N.T.S</b>	DRAWN BY : <b>ALG</b>
DWG # : <b>ROUND 24D</b>	DATE : <b>9/13/2018</b>	REVISION # : <b>01</b>	KIT REF : <b>ROUND 24D-X</b>	<b>A</b>



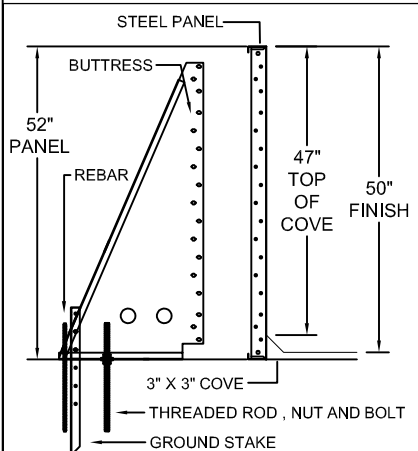
ALL DIMENSIONS ARE FINISHED



### BRACE / HARDWARE OPTIONS

QTY	DESCRIPTION
0	45° Outside Corner Angle
0	Buttress Supports
0	Steel Rebar 18" + Ground Stakes
0	3/4" Threaded Rod / Nut and Washer
418	Hardware Bolts / Nuts
0	Grecian Hardware
44	Strengthening Straps

### WALL SECTION DETAILS



### 52" INCH WALL HEIGHT POOL KITS

1. - STEEL PANELS MUST BE BURIED 36" IN THE GROUND & BACKFILLED.
2. - POOL MUST HAVE A FOURED CONCRETE COLLAR.
3. - EACH PANEL JOINT MUST BE SECURED WITH 19 NUTS & BOLTS.
4. - GRECIAN CORNER JOINTS REQUIRES 10 ANGLE NUTS & BOLTS.
5. - STRENGTHENING STRAPS MUST BE INSTALLED ON ALL PANEL JOINTS - 2 PER JOINT.
6. - IF POOL FINISH IS DIFFERENT THAN WALL SECTION DETAIL THE FINISH MUST BE PROVIDED ON LINDER ORDER.
7. - THE USE OF CHLORINE GENERATORS VOIDS STEEL WARRANTY.

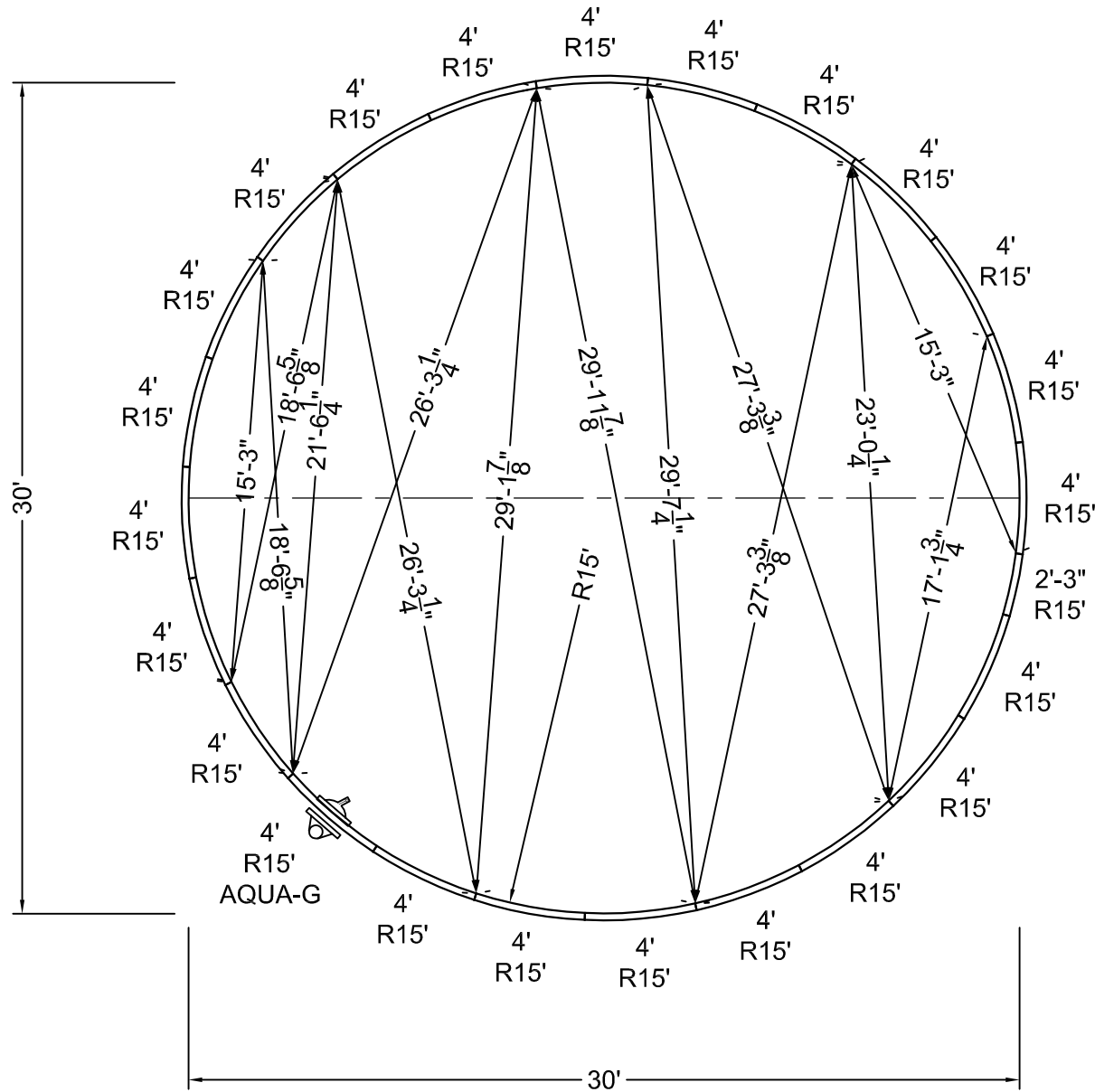
**NON COMPLIANCE VOIDS WARRANTY**

SHAPE : <b>ROUND</b>	SIZE : <b>28' X 28'</b>	HAND : <b>NONE</b>	PANEL HEIGHT : <b>4'-4"</b>	PANEL TYPE : <b>3" TOP</b>
PERIMETER : <b>87'-11 9/16"</b>	VOLUME : <b>19,960 US GAL.</b>	SURFACE AREA : <b>615.752 SQ. FT.</b>	SCALE : <b>N.T.S</b>	DRAWN BY : <b>ALG</b>
DWG # : <b>ROUND 28D</b>	DATE : <b>6/20/2019</b>	REVISION # : <b>01</b>	KIT REF : <b>ROUND 28D-X</b>	<b>A</b>

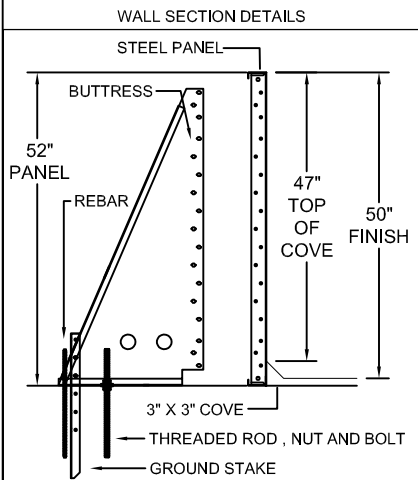




ALL DIMENSIONS ARE FINISHED



BRACE / HARDWARE OPTIONS	
QTY	DESCRIPTION
0	45° Outside Corner Angle
0	Buttress Supports
0	Steel Rebar 18" + Ground Stakes
0	3/4" Threaded Rod / Nut and Washer
456	Hardware Bolts / Nuts
0	Grecian Hardware
48	Strengthening Straps



- 52" INCH WALL HEIGHT POOL KITS**
- STEEL PANELS MUST BE BURIED 36" IN THE GROUND & BACKFILLED.
  - POOL MUST HAVE A FOURS CONCRETE COLLAR.
  - EACH PANEL JOINT MUST BE SECURED WITH 19 NUTS & BOLTS.
  - GRECIAN CORNER JOINTS REQUIRES 10 ANGLE NUT AND BOLTS.
  - STRENGTHENING STRAPS MUST BE INSTALLED ON ALL PANEL JOINTS - 2 PER JOINT.
  - IF POOL FINISH IS DIFFERENT THAN WALL SECTION DETAIL THE FINISH MUST BE PROVIDED ON LINDER ORDER.
  - THE USE OF CHLORINE GENERATORS VOIDS STEEL WARRANTY.
- NON COMPLIANCE VOIDS WARRANTY**

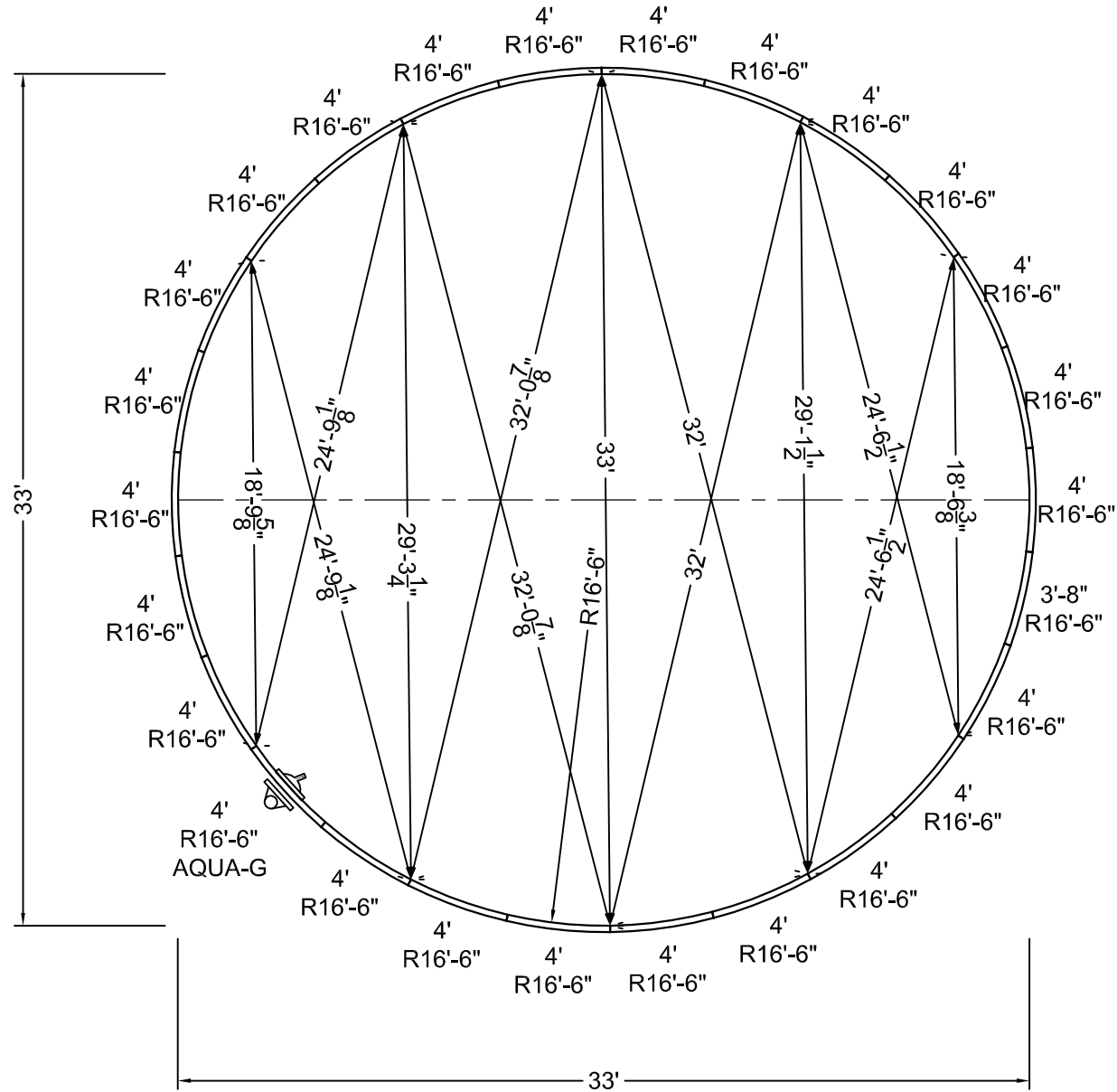
SHAPE : <b>ROUND</b>	SIZE : <b>30' X 30'</b>	HAND : <b>NONE</b>	PANEL HEIGHT : <b>4'-4"</b>	PANEL TYPE : <b>3" TOP</b>
PERIMETER : <b>94'-2 31/32"</b>	VOLUME : <b>22,913 US GAL.</b>	SURFACE AREA : <b>706.858 SQ. FT.</b>	SCALE : <b>N.T.S</b>	DRAWN BY : <b>ALG</b>
DWG # : <b>ROUND 30D</b>	DATE : <b>6/20/2019</b>	REVISION # : <b>01</b>	KIT REF : <b>ROUND 30D-X</b>	<b>A</b>



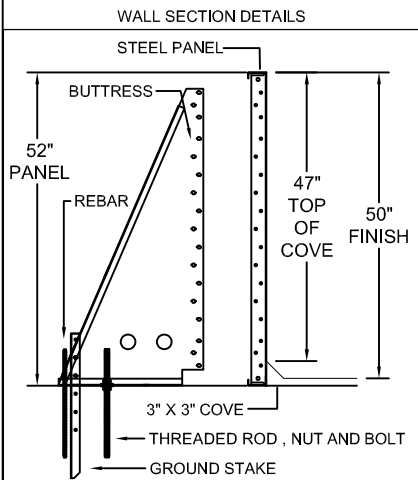


DOES NOT MEET DEPTH AND SHAPE MINIMUM STANDARD ANSI/NSPI5-2003

ALL DIMENSIONS ARE FINISHED



BRACE / HARDWARE OPTIONS	
QTY	DESCRIPTION
0	45° Outside Corner Angle
0	Buttress Supports
0	Steel Rebar 18" + Ground Stakes
0	3/4" Threaded Rod / Nut and Washer
494	Hardware Bolts / Nuts
0	Greecian Hardware
52	Strengthening Straps

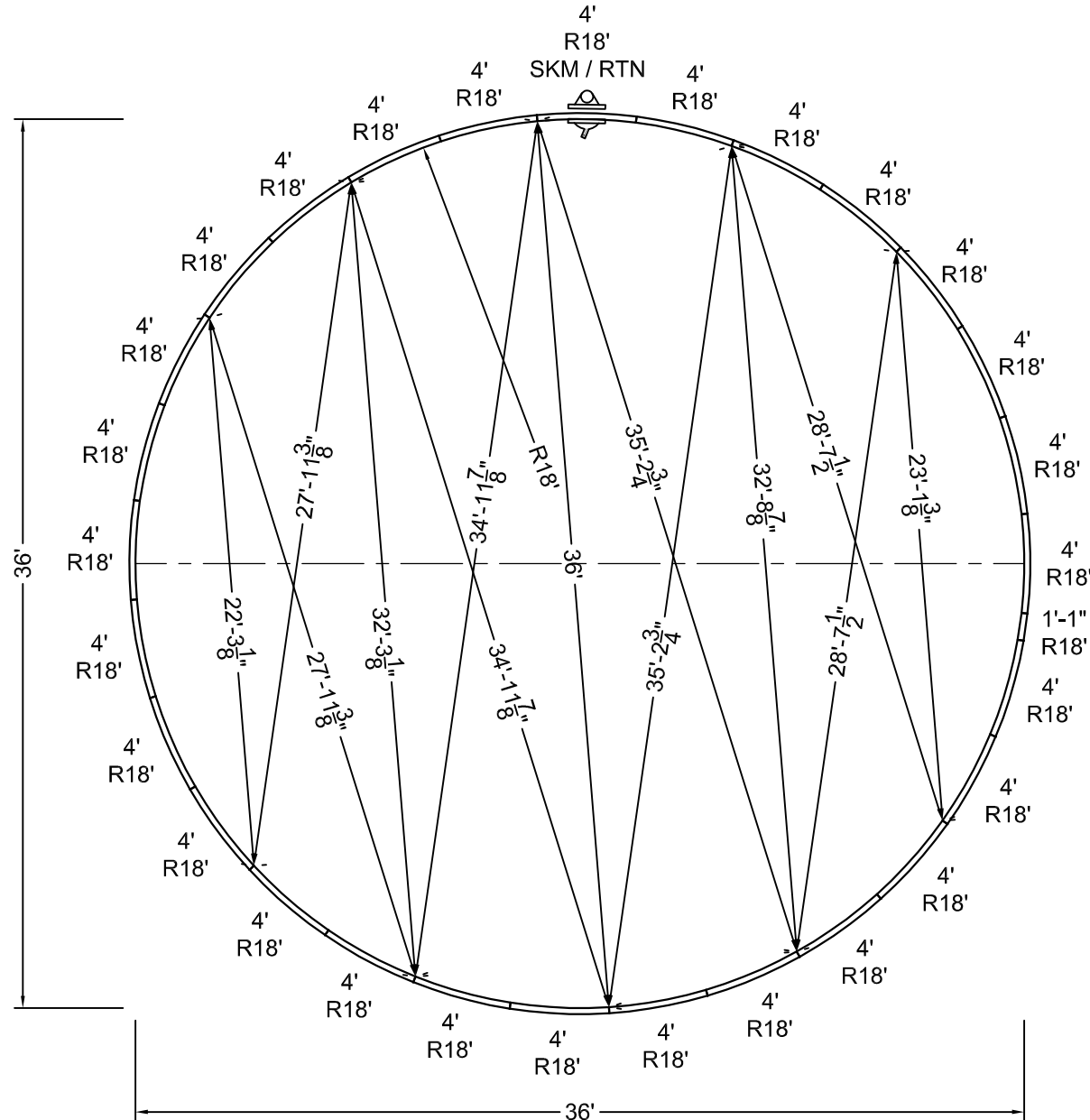


- 52" INCH WALL HEIGHT POOL KITS**
1. - STEEL PANELS MUST BE BURIED 36" IN THE GROUND & BACKFILLED.
  2. - POOL MUST HAVE A FOURED CONCRETE COLLAR.
  3. - EACH PANEL JOINT MUST BE SECURED WITH 19 NUTS & BOLTS.
  4. - GREECIAN CORNER JOINTS REQUIRES 10 ANGLE NUT AND BOLTS.
  5. - STRENGTHENING STRAPS MUST BE INSTALLED ON ALL PANEL JOINTS - 2 PER JOINT.
  6. - IF POOL FINISH IS DIFFERENT THAN WALL SECTION DETAIL THE FINISH MUST BE PROVIDED ON LINDER ORDER.
  7. - THE USE OF CHLORINE GENERATORS VOIDS STEEL WARRANTY.
- NON COMPLIANCE VOIDS WARRANTY**

SHAPE : <b>ROUND</b>	SIZE : <b>33' X 33'</b>	HAND : <b>NONE</b>	PANEL HEIGHT : <b>4'-4"</b>	PANEL TYPE : <b>3" TOP</b>
PERIMETER : <b>103'-8 1/16"</b>	VOLUME : <b>27,725 US GAL.</b>	SURFACE AREA : <b>855.299 SQ. FT.</b>	SCALE : <b>N.T.S</b>	DRAWN BY : <b>ALG</b>
DWG # : <b>ROUND 33D</b>	DATE : <b>6/20/2019</b>	REVISION # : <b>01</b>	KIT REF : <b>ROUND 33D-X</b>	<b>A</b>



ALL DIMENSIONS ARE FINISHED

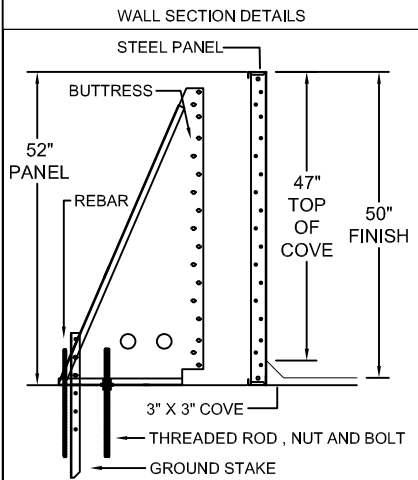


**52" INCH WALL HEIGHT POOL KITS**

**NON COMPLIANCE VOIDS WARRANTY**

- STEEL PANELS MUST BE BURIED 35" IN THE GROUND & BACKFILLED.
- POOL MUST HAVE A POURED CONCRETE COLLAR.
- EACH PANEL JOINT MUST BE SECURED WITH 19 NUTS & BOLTS.
- GRECIAN CORNER JOINTS REQUIRES 10 ANGLE NUT AND BOLTS.
- STRENGTHENING STRAPS MUST BE INSTALLED ON ALL PANEL JOINTS - 2 PER JOINT.
- IF POOL FINISH IS DIFFERENT THAN WALL SECTION DETAIL, THE FINISH MUST BE PROVIDED ON LINDER ORDER.
- THE USE OF CHLORINE GENERATORS VOIDS STEEL WARRANTY.

BRACE / HARDWARE OPTIONS	
QTY	DESCRIPTION
0	45° Outside Corner Angle
0	Buttress Supports
0	Steel Rebar 18" + Ground Stakes
0	3/4" Threaded Rod / Nut and Washer
551	Hardware Bolts / Nuts
	Grecian Hardware
58	Strengthening Straps



SHAPE : <b>ROUND</b>	SIZE : <b>36' X 36'</b>	HAND : <b>NONE</b>	PANEL HEIGHT : <b>4'-4"</b>	PANEL TYPE : <b>3" TOP</b>
PERIMETER : <b>113'-1 5/32"</b>	VOLUME : <b>32,995 US GAL.</b>	SURFACE AREA : <b>1,017.876 SQ. FT.</b>	SCALE : <b>N.T.S</b>	DRAWN BY : <b>ALG</b>
DWG # : <b>ROUND 36D</b>	DATE : <b>2/4/2020</b>	REVISION # : <b>01</b>	KIT REF : <b>ROUND 36D-X</b>	<b>A</b>