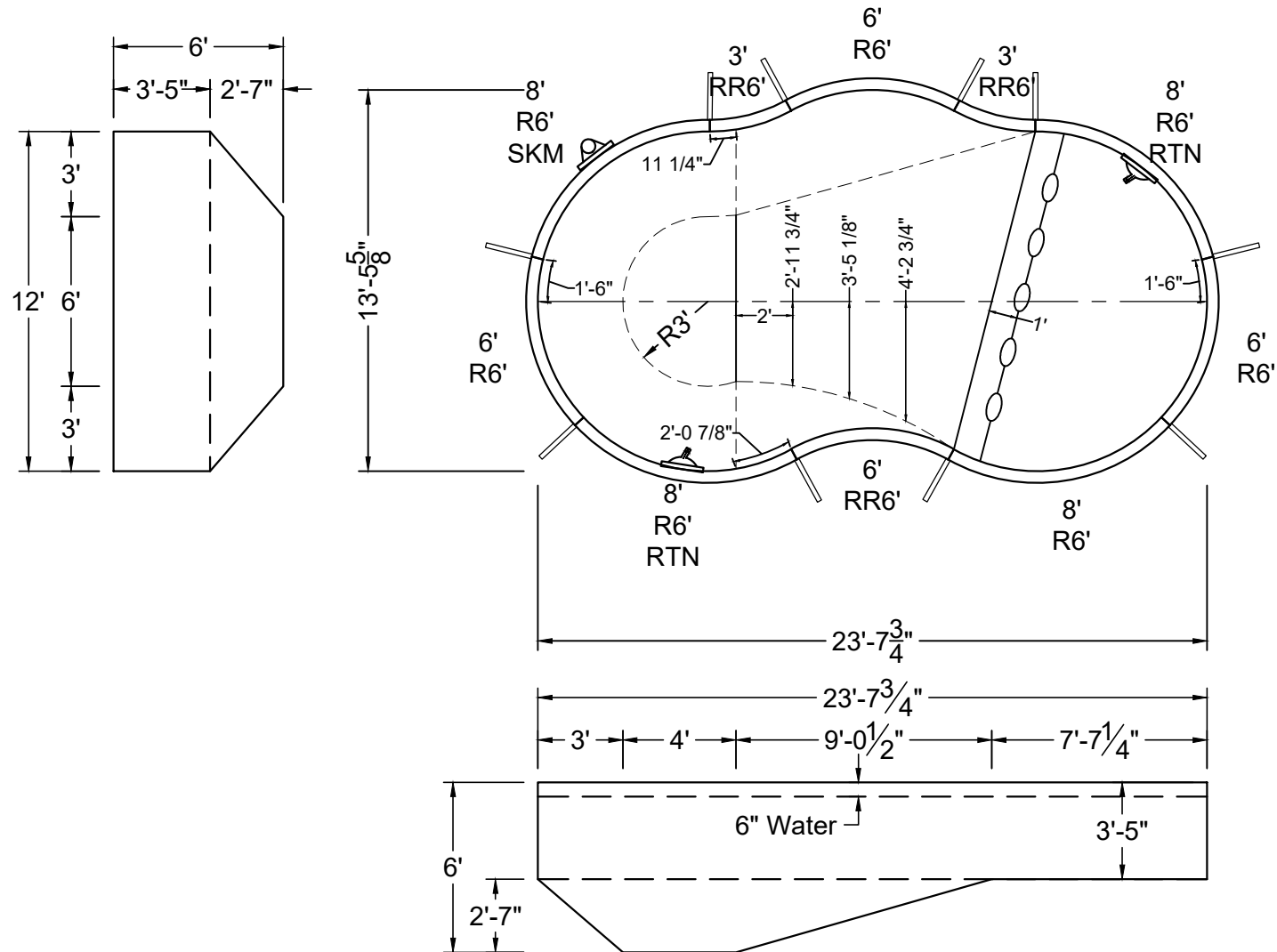




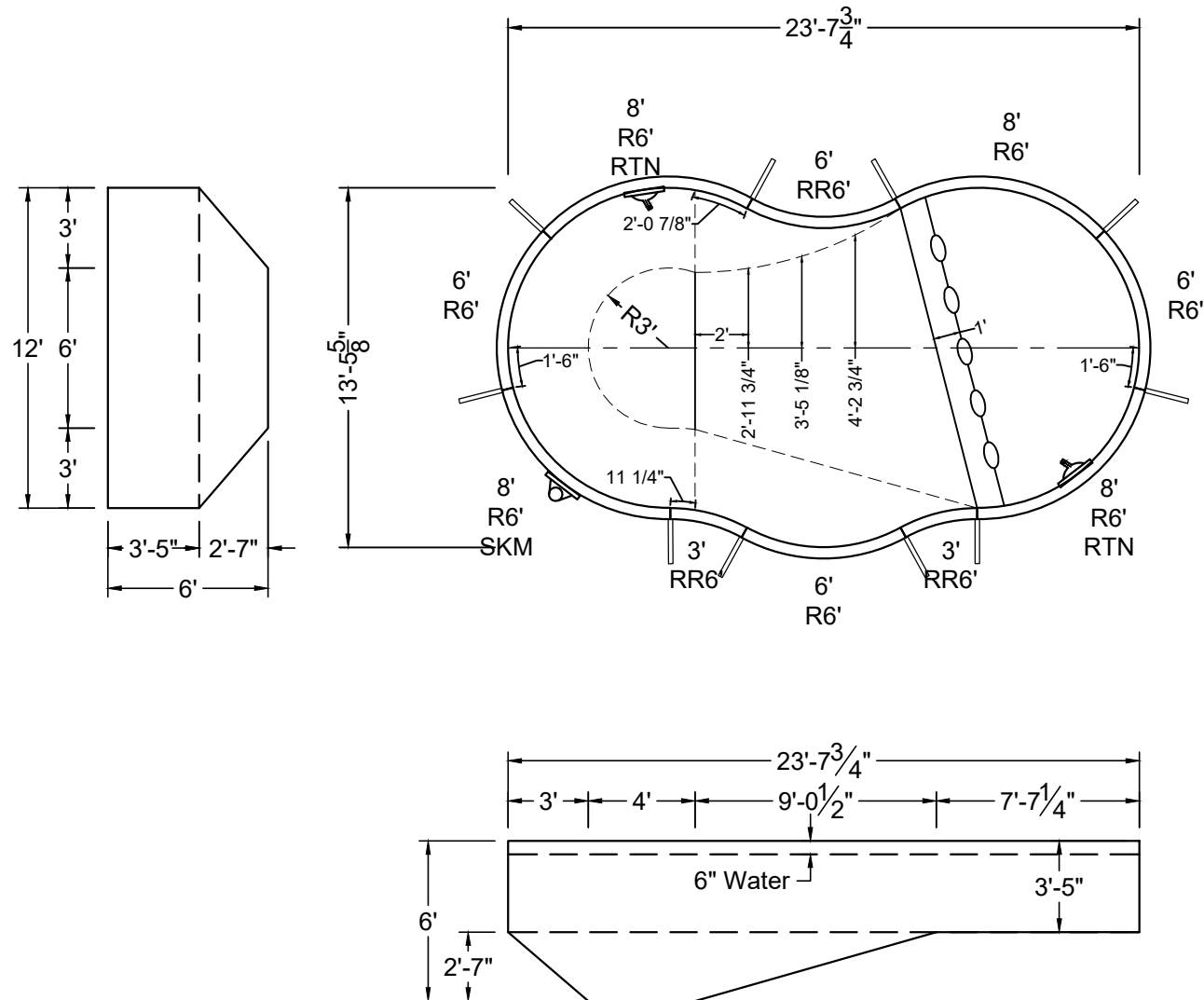
ALL DIMENSIONS ARE FINISHED



SHAPE : ALOHA	SIZE : 12' X 23'-8"	HAND : LEFT	PANEL HEIGHT : 3'-6"	PANEL TYPE : 5" TOP
PERIMETER : 62'	VOLUME : 8,228 US GAL.	SURFACE AREA : 252.522 SQ. FT.	SCALE : N.T.S	DRAWN BY : NM-BCC
DWG # : MN1224AL-19	DATE : 12/16/2016	REVISION # : 01	KIT REF : MN1224AL-19-L	A



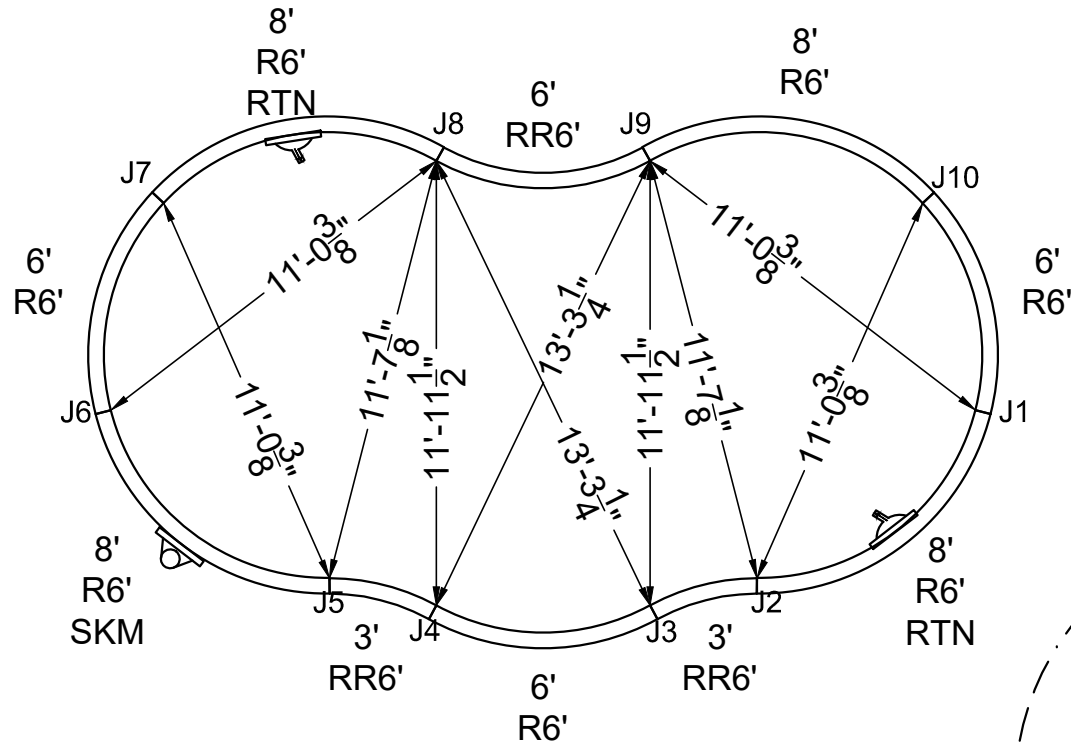
ALL DIMENSIONS ARE FINISHED



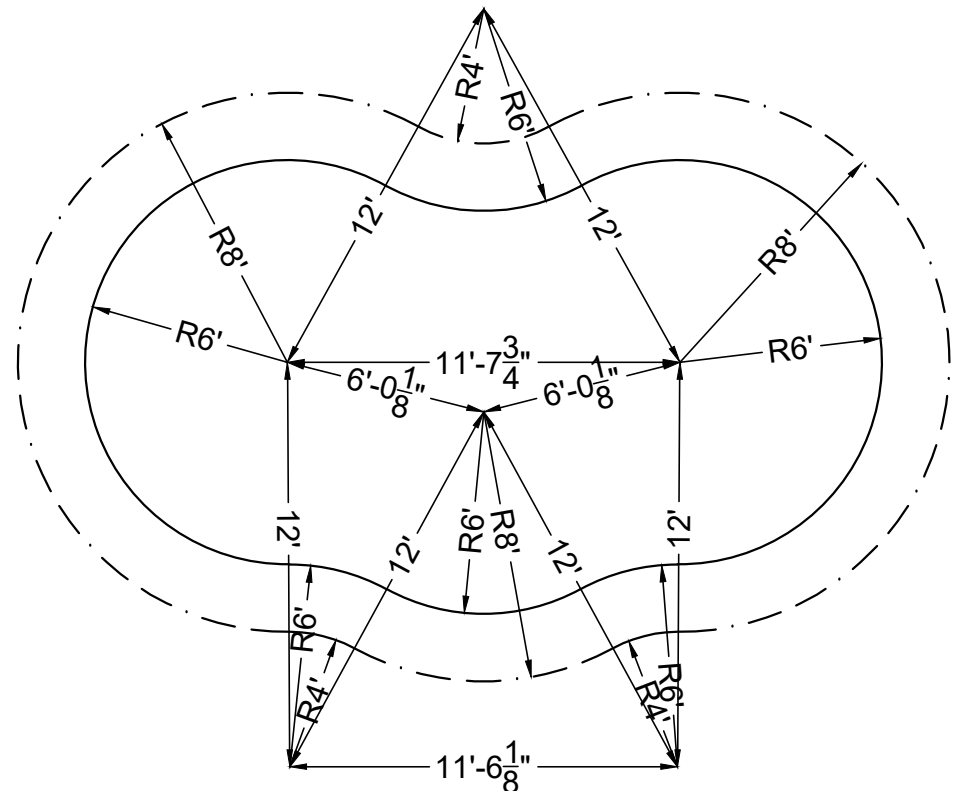
SHAPE : ALOHA	SIZE : 12' X 23'-8"	HAND : RIGHT	PANEL HEIGHT : 3'-6"	PANEL TYPE : 5" TOP
PERIMETER : 62'	VOLUME : 8,228 US GAL.	SURFACE AREA : 252.522 SQ. FT.	SCALE : N.T.S	DRAWN BY : NM-BCC
DWG # : MN1224AL-19	DATE : 12/16/2016	REVISION # : 01	KIT REF : MN1224AL-19-R	A



ALL DIMENSIONS ARE FINISHED



STAKE OUT



SHAPE: ALOHA

SIZE: 12' X 23'-8"

HAND: RIGHT

PANEL HEIGHT: 3'-6"

DRAWN BY: NM-BCC

DWG #: MN1224AL-19

DATE: 12/16/2016

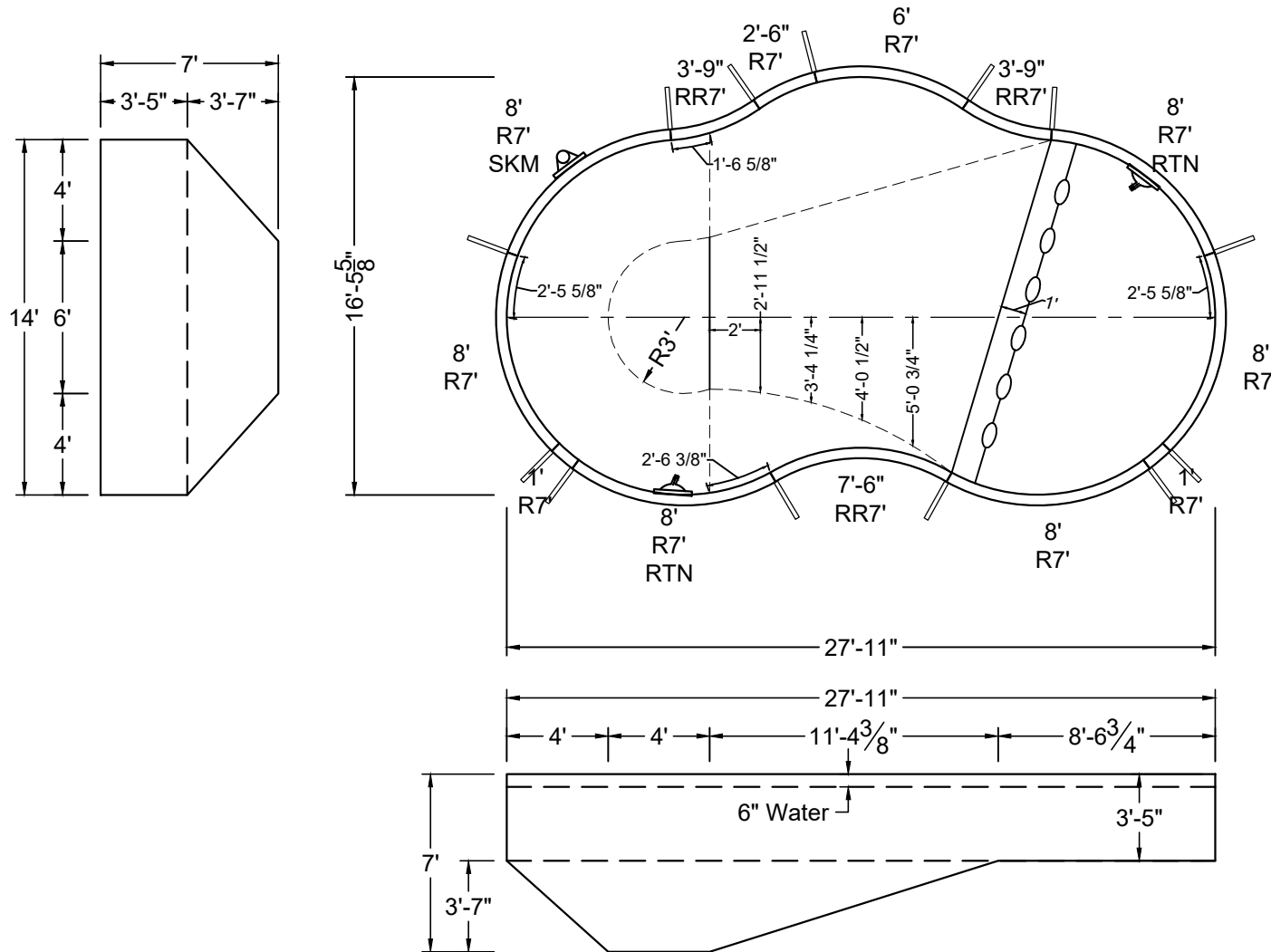
REVISION #: 01

KIT REF: MN1224AL-19-R

B



ALL DIMENSIONS ARE FINISHED



SHAPE: ALOHA	SIZE: 14' X 27'-11"	HAND: LEFT	PANEL HEIGHT: 3'-6"	PANEL TYPE: 5" TOP
PERIMETER: 73'-6"	VOLUME: 12,338 US GAL.	SURFACE AREA: 355.351 SQ. FT.	SCALE: N.T.S	DRAWN BY: NM-BCC
DWG #: MN1428AL-19	DATE: 12/16/2016	REVISION #: 01	KIT REF: MN1428AL-19-L	A



MEGNA
POOLS

Magna Plastic Packaging Corp.



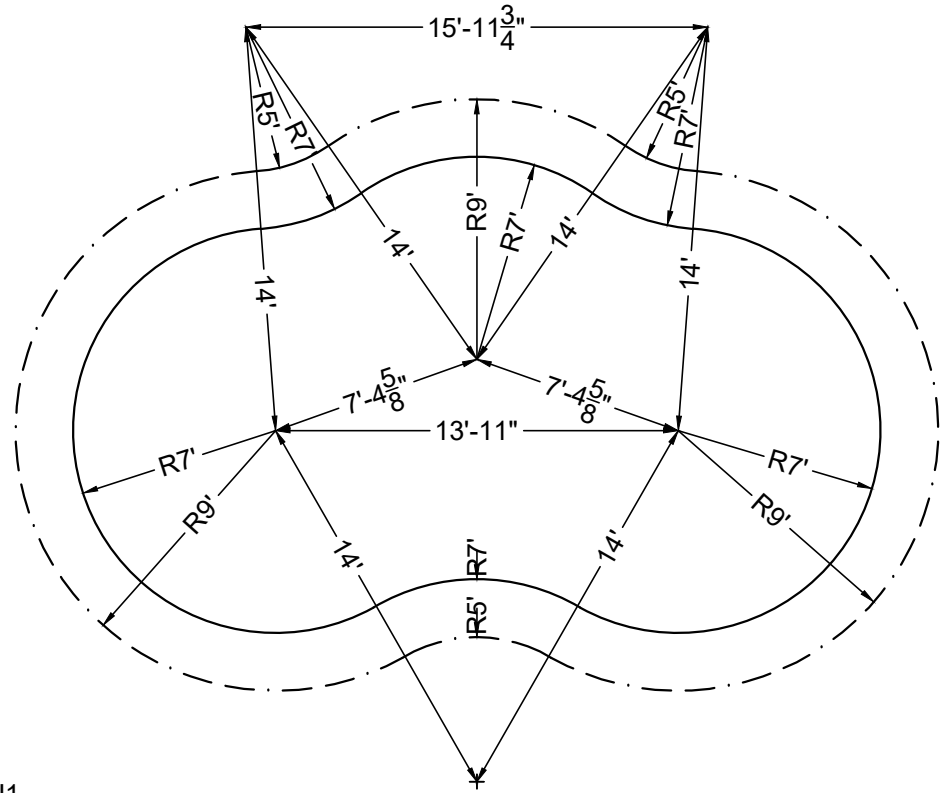
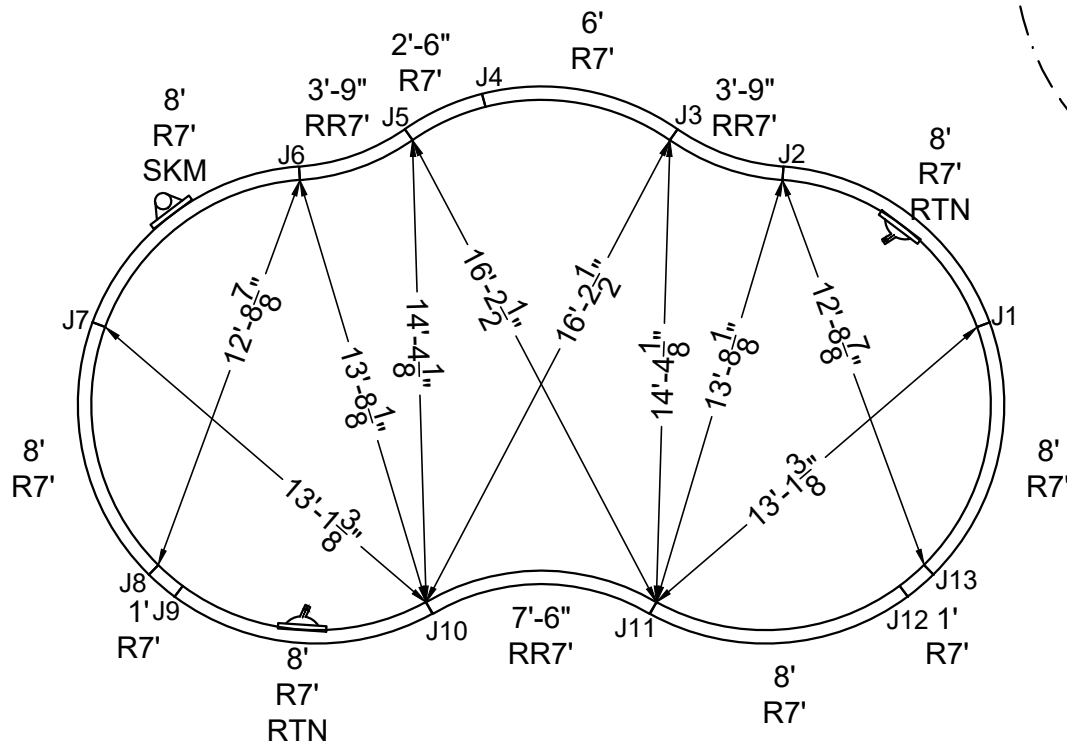
NON-DIVING POOL

USE OF DIVING EQUIPMENT IS PROHIBITED

MEETS DEPTH AND SHAPE MINIMUM STANDARD ANSI/NSPI5-2003

ALL DIMENSIONS ARE FINISHED

STEEL CHECK



STAKE OUT

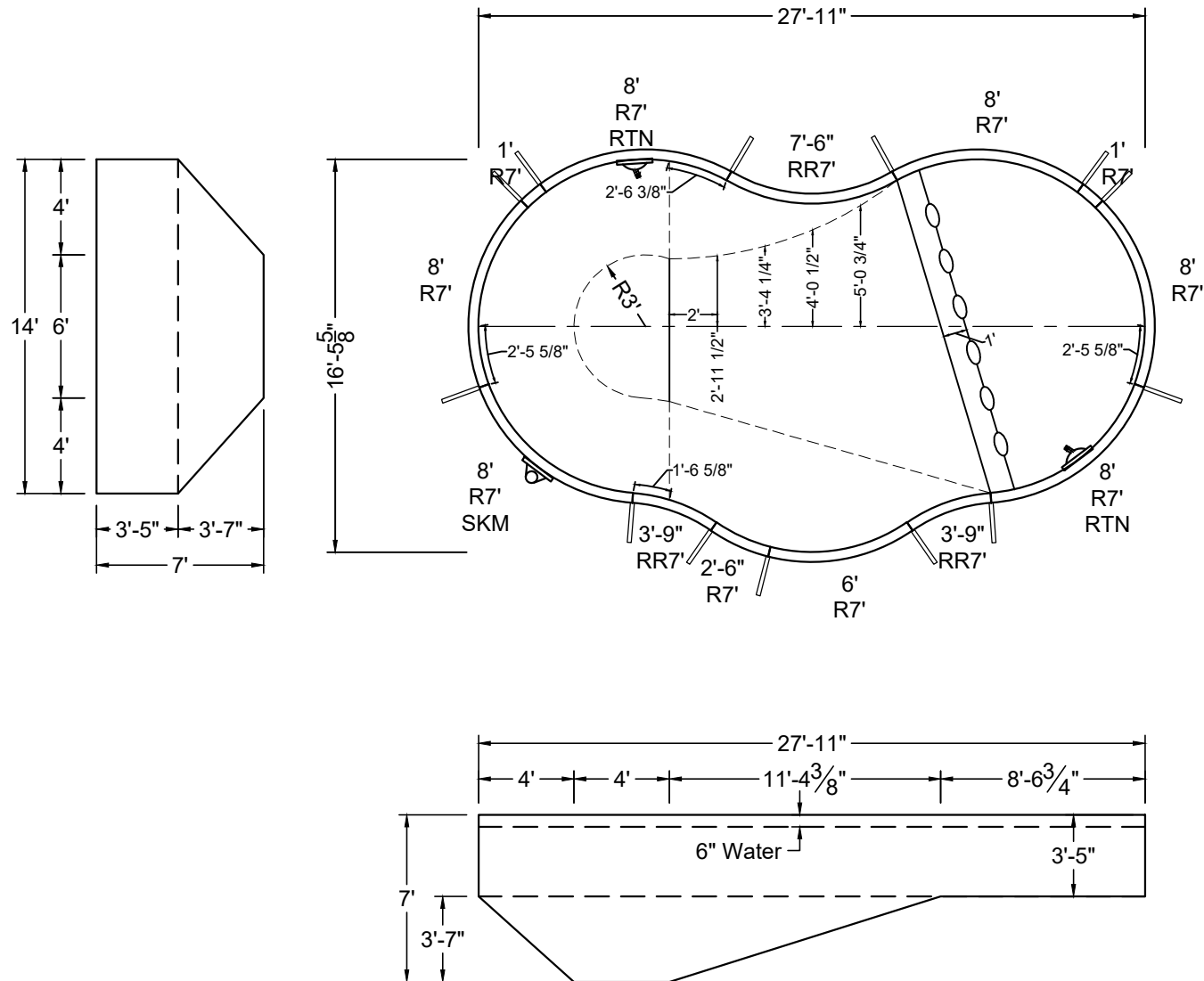
SHAPE: ALOHA	SIZE: 14' X 27'-11"	HAND: LEFT	PANEL HEIGHT: 3'-6"	DRAWN BY: NM-BCC
DWG #: MN1428AL-19	DATE: 12/16/2016	REVISION #: 01	KIT REF: MN1428AL-19-L	B



NON-DIVING POOL
USE OF DIVING EQUIPMENT IS PROHIBITED

MEETS DEPTH AND SHAPE MINIMUM STANDARD ANSI/NSPI5-2003

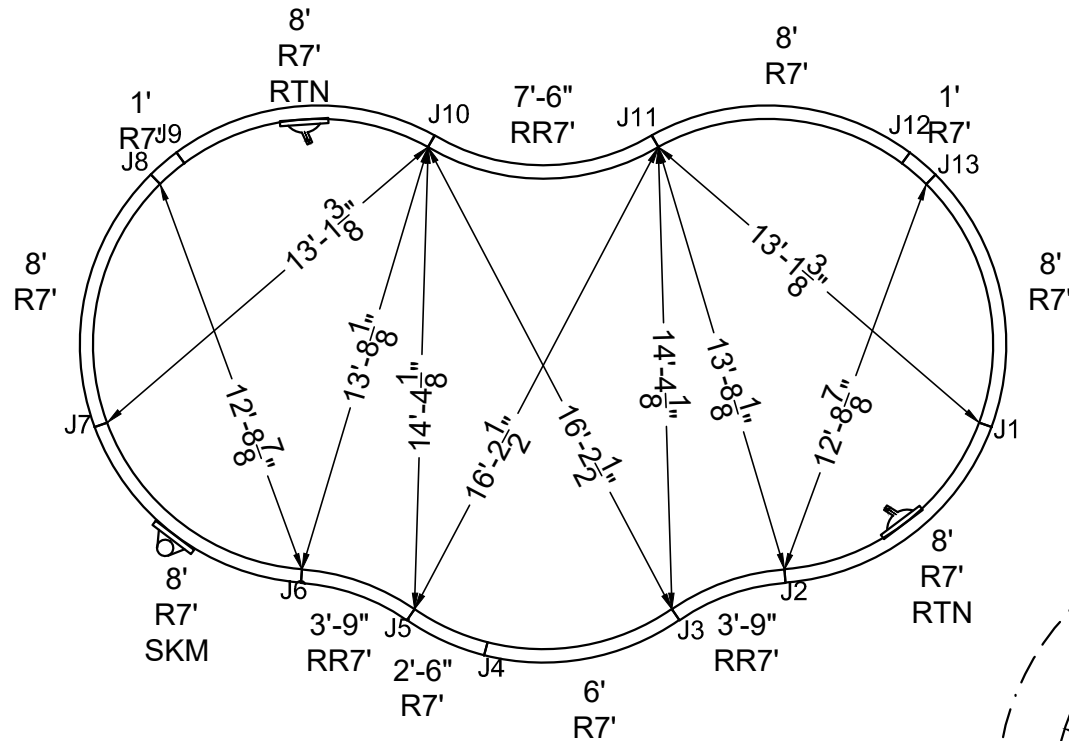
ALL DIMENSIONS ARE FINISHED



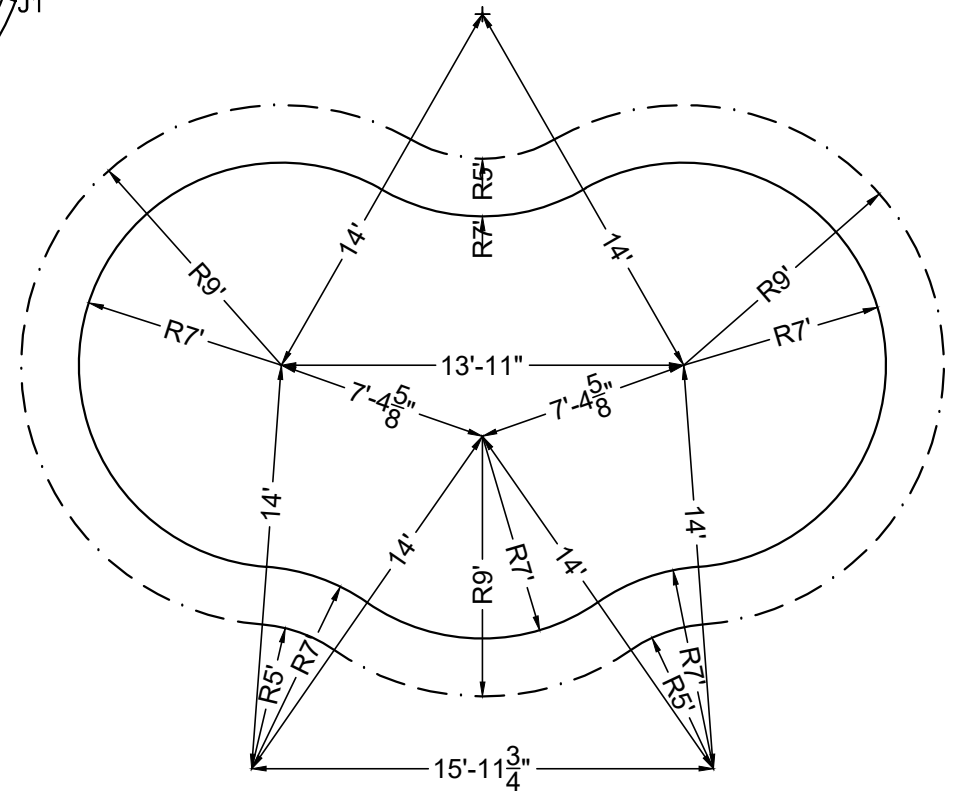
SHAPE: ALOHA	SIZE: 14' X 27'-11"	HAND: RIGHT	PANEL HEIGHT: 3'-6"	PANEL TYPE: 5" TOP
PERIMETER: 73'-6"	VOLUME: 12,338 US GAL.	SURFACE AREA: 355.351 SQ. FT.	SCALE: N.T.S	DRAWN BY: NM-BCC
DWG #: MN1428AL-19	DATE: 12/16/2016	REVISION #: 01	KIT REF: MN1428AL-19-R	A



ALL DIMENSIONS ARE FINISHED



STAKE OUT



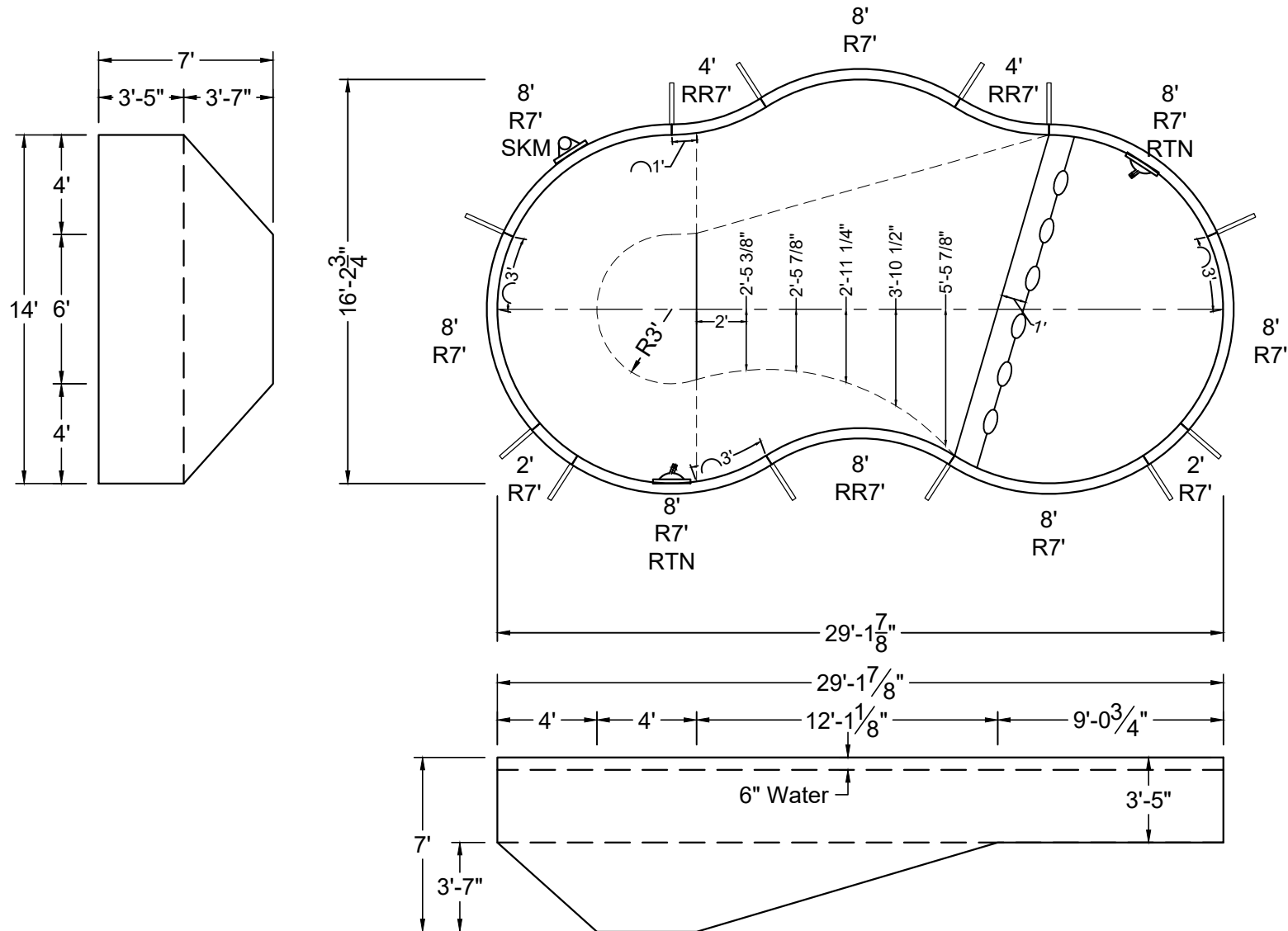
SHAPE: ALOHA	SIZE: 14' X 27'-11"	HAND: RIGHT	PANEL HEIGHT: 3'-6"	DRAWN BY: NM-BCC
DWG #: MN1428AL-19	DATE: 12/16/2016	REVISION #: 01	KIT REF: MN1428AL-19-R	B



NON-DIVING POOL
USE OF DIVING EQUIPMENT IS PROHIBITED

DOES NOT MEET DEPTH AND SHAPE MINIMUM STANDARD ANSI/NSPI5-2003

ALL DIMENSIONS ARE FINISHED



SHAPE: ALOHA	SIZE: 14' X 29'-2"	HAND: LEFT	PANEL HEIGHT: 3'-6"	PANEL TYPE: 5" TOP
PERIMETER: 76'	VOLUME: 12,692 US GAL.	SURFACE AREA: 366.030 SQ. FT.	SCALE: N.T.S	DRAWN BY: NM-BCC
DWG #: MN1429AL-19	DATE: 12/16/2016	REVISION #: 01	KIT REF: MN1429AL-19-L	A

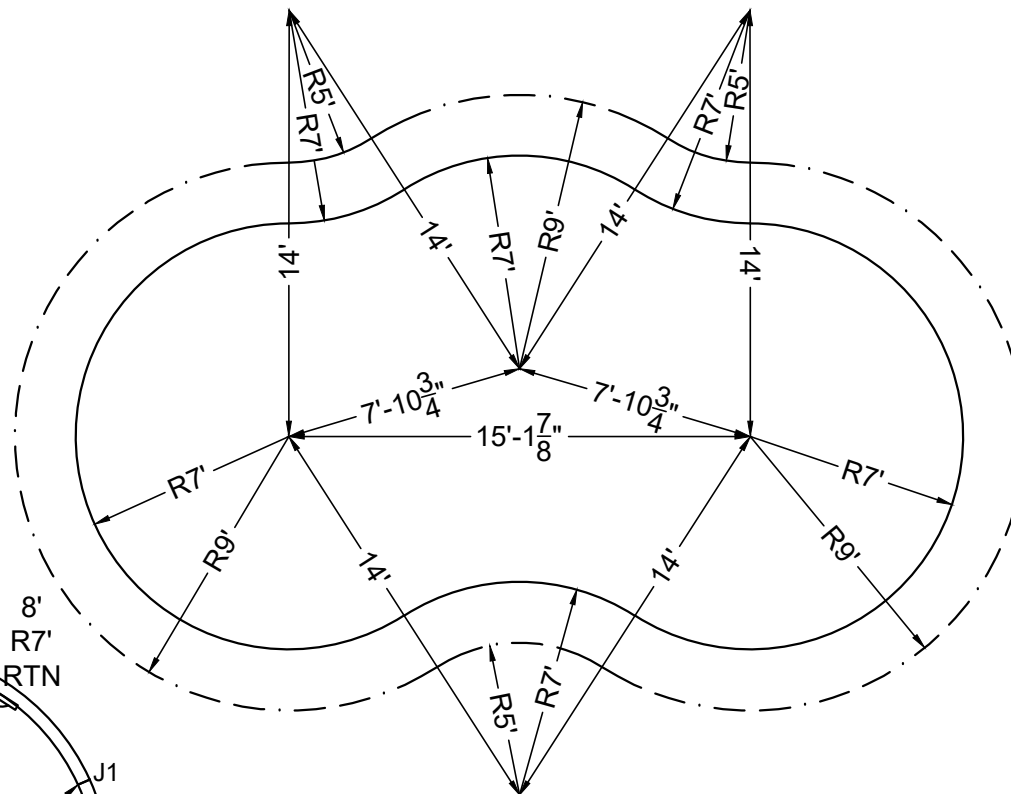
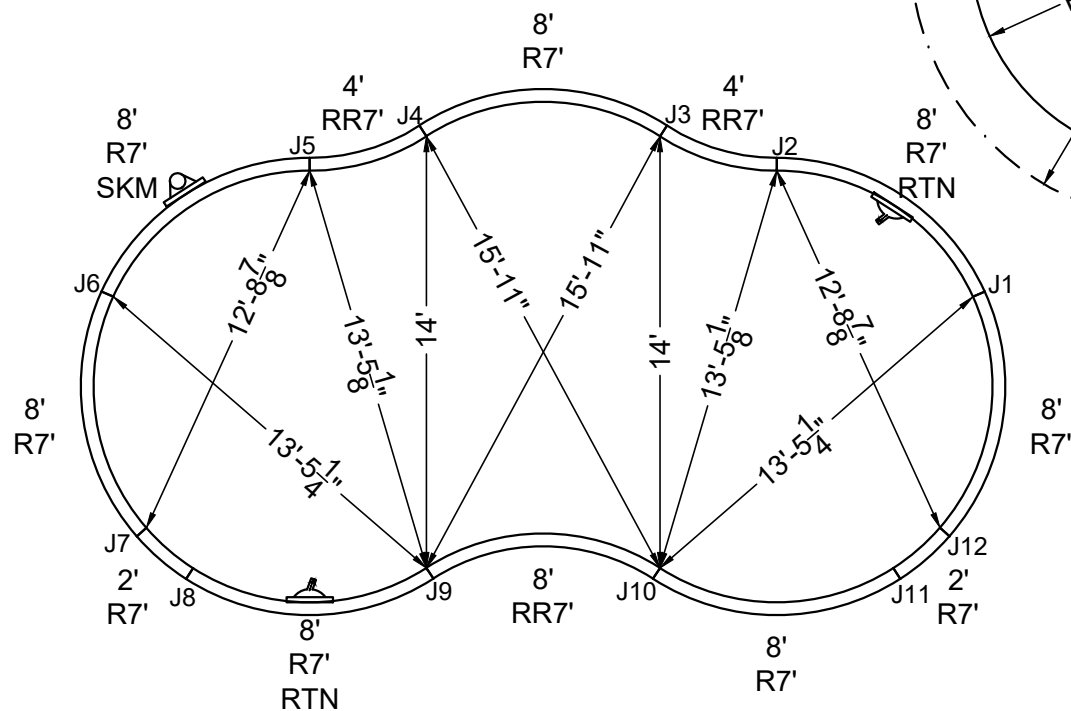


NON-DIVING POOL
USE OF DIVING EQUIPMENT IS PROHIBITED

DOES NOT MEET DEPTH AND SHAPE MINIMUM STANDARD ANSI/NSPI5-2003

ALL DIMENSIONS ARE FINISHED

STEEL CHECK



STAKE OUT

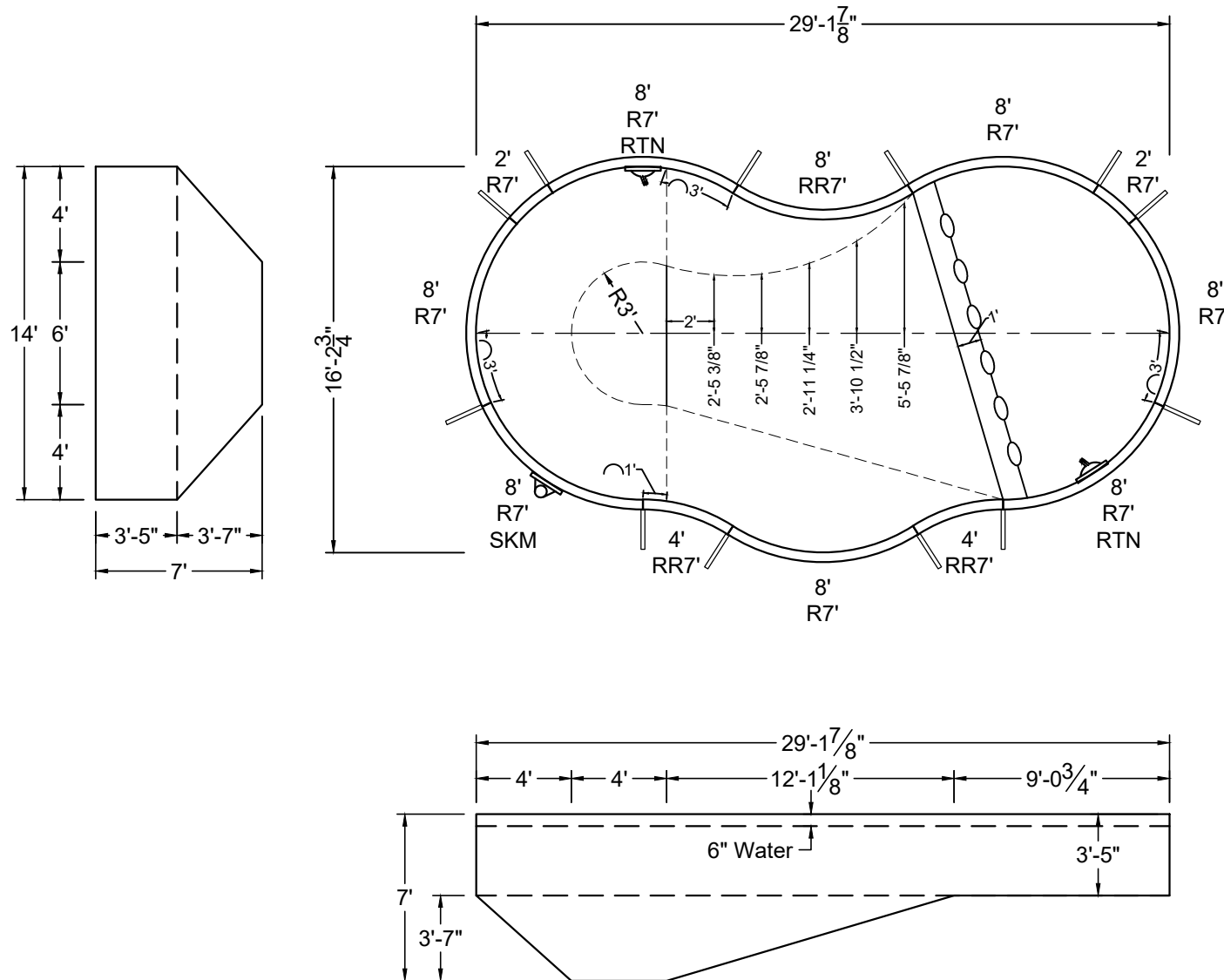
SHAPE : ALOHA	SIZE : 14' X 29'-2"	HAND : LEFT	PANEL HEIGHT : 3'-6"	DRAWN BY : NM-BCC
DWG # : MN1429AL-19	DATE : 12/16/2016	REVISION # : 01	KIT REF : MN1429AL-19-L	B



NON-DIVING POOL
USE OF DIVING EQUIPMENT IS PROHIBITED

DOES NOT MEET DEPTH AND SHAPE MINIMUM STANDARD ANSI/NSPI-2003

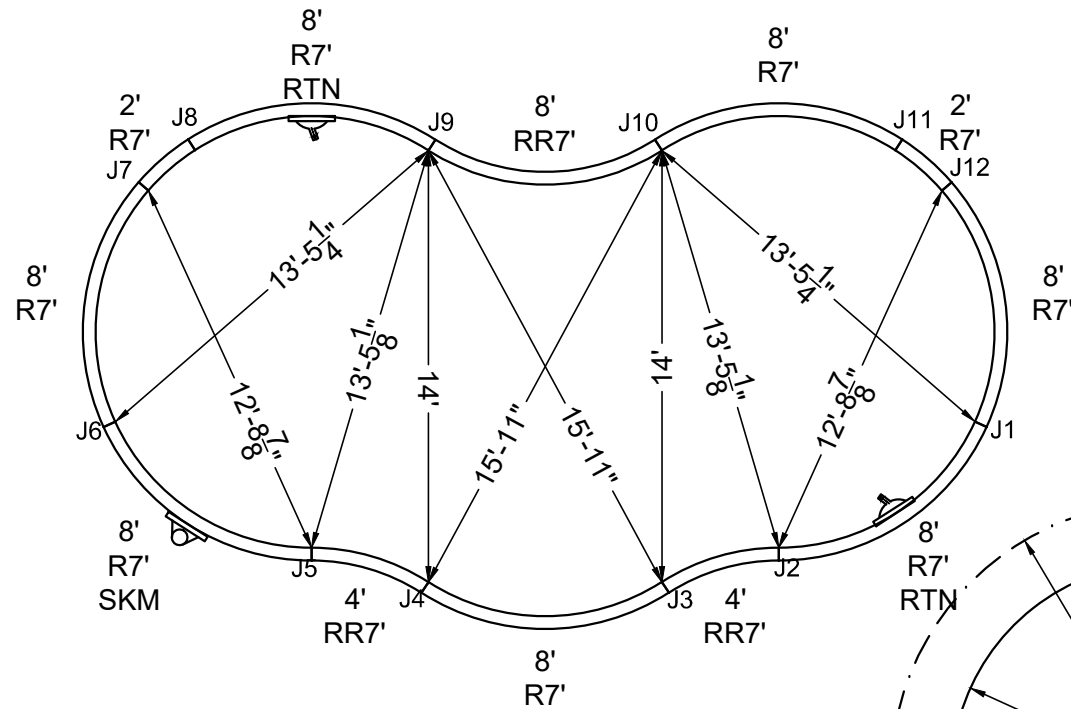
ALL DIMENSIONS ARE FINISHED



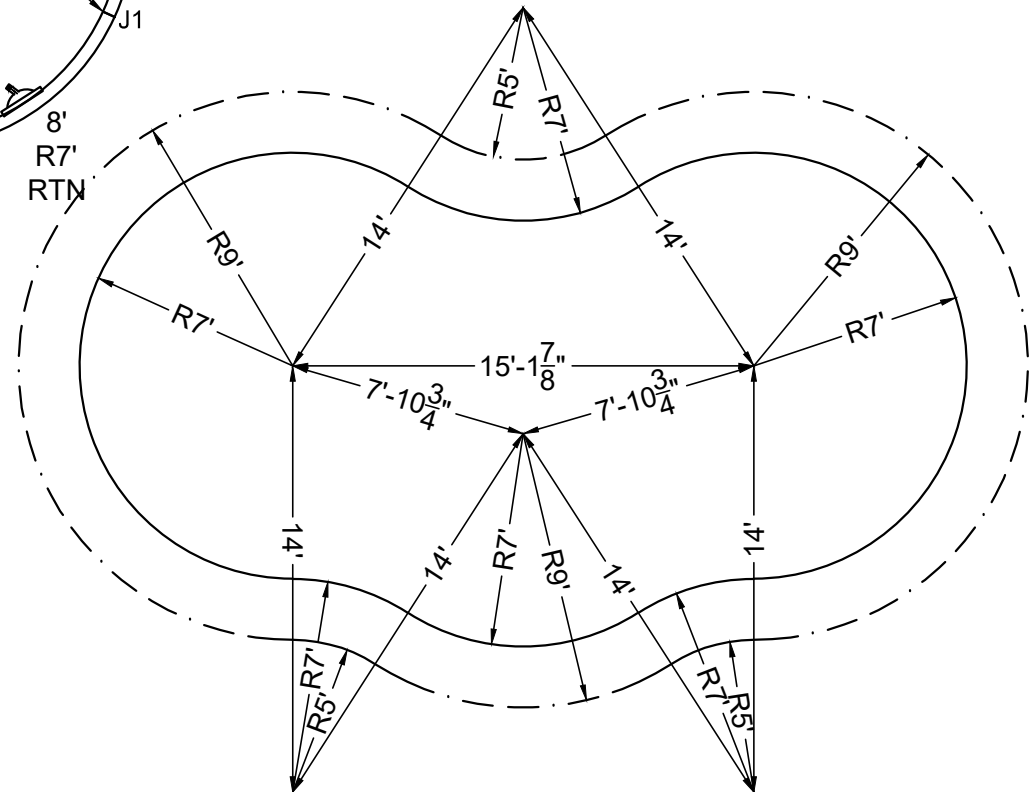
SHAPE: ALOHA	SIZE: 14' X 29'-2"	HAND: RIGHT	PANEL HEIGHT: 3'-6"	PANEL TYPE: 5" TOP
PERIMETER: 76'	VOLUME: 12,692 US GAL.	SURFACE AREA: 366.030 SQ. FT.	SCALE: N.T.S	DRAWN BY: NM-BCC
DWG #: MN1429AL-19	DATE: 12/16/2016	REVISION #: 01	KIT REF: MN1429AL-19-R	A



ALL DIMENSIONS ARE FINISHED



STEEL CHECK



STAKE OUT

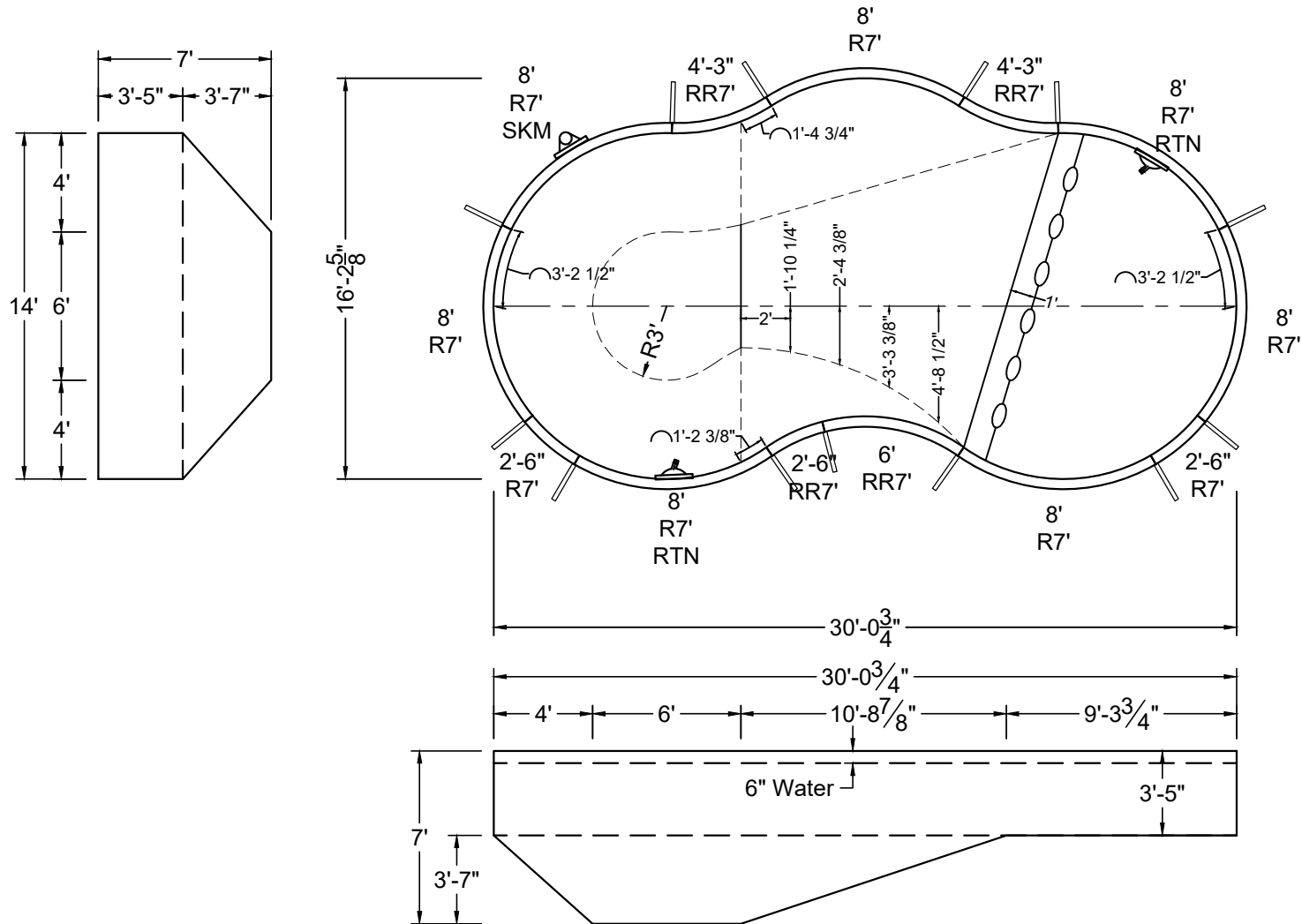
SHAPE : ALOHA	SIZE : 14' X 29'-2"	HAND : RIGHT	PANEL HEIGHT : 3'-6"	DRAWN BY : NM-BCC
DWG # : MN1429AL-19	DATE : 12/16/2016	REVISION # : 01	KIT REF : MN1429AL-19-R	B



NON-DIVING POOL
USE OF DIVING EQUIPMENT IS PROHIBITED

DOES NOT MEET DEPTH AND SHAPE MINIMUM STANDARD ANSI/NSPI5-2003

ALL DIMENSIONS ARE FINISHED

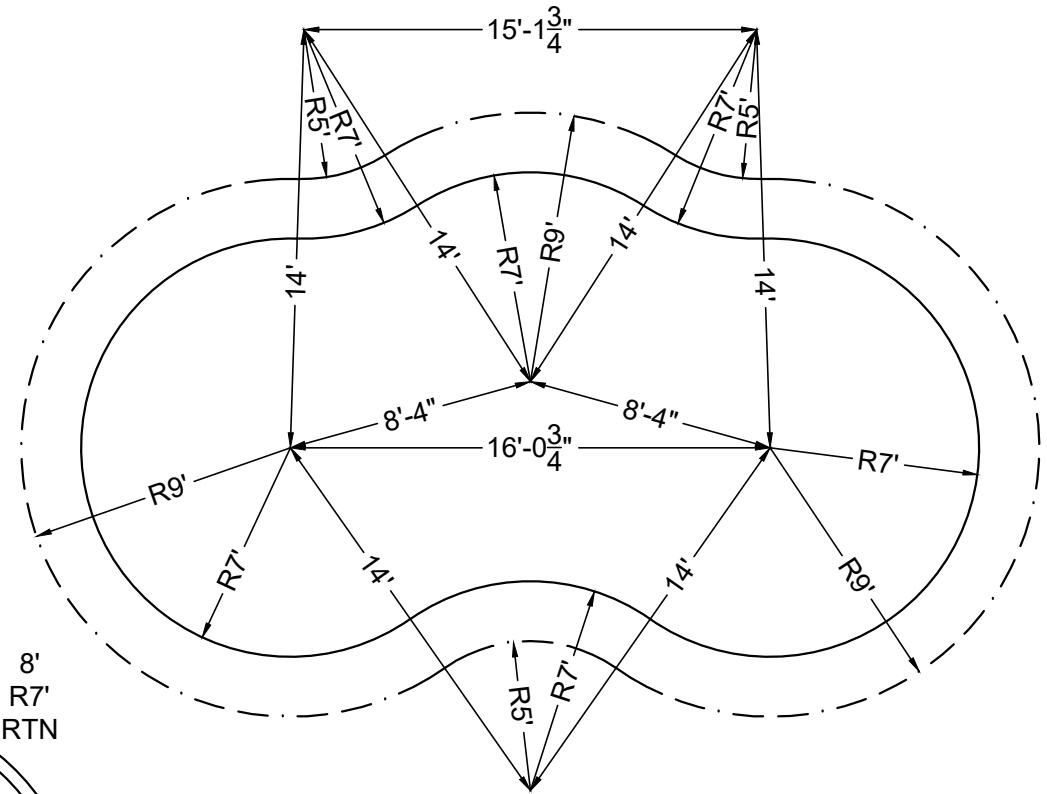
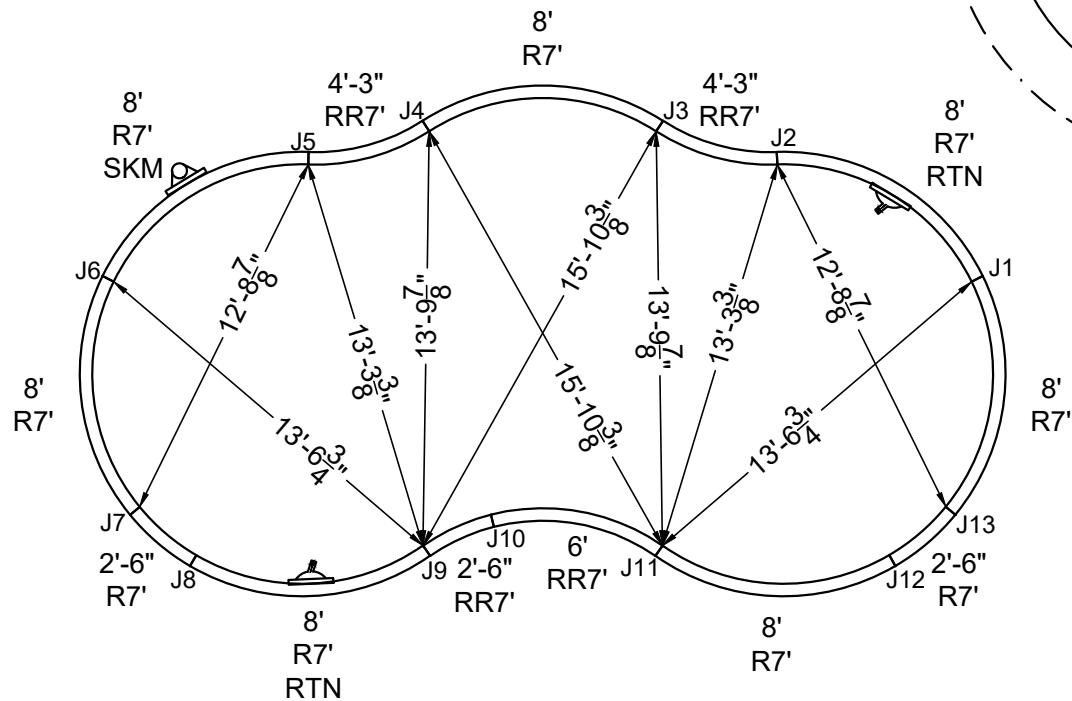


SHAPE: ALOHA	SIZE: 14' X 30'-1"	HAND: LEFT	PANEL HEIGHT: 3'-6"	PANEL TYPE: 5" TOP
PERIMETER: 78'	VOLUME: 13,223 US GAL.	SURFACE AREA: 375.155 SQ. FT.	SCALE: N.T.S	DRAWN BY: NM-BCC
DWG #: MN1430AL-19	DATE: 12/16/2016	REVISION #: 01	KIT REF: MN1430AL-19-L	A



ALL DIMENSIONS ARE FINISHED

STEEL CHECK



STAKE OUT

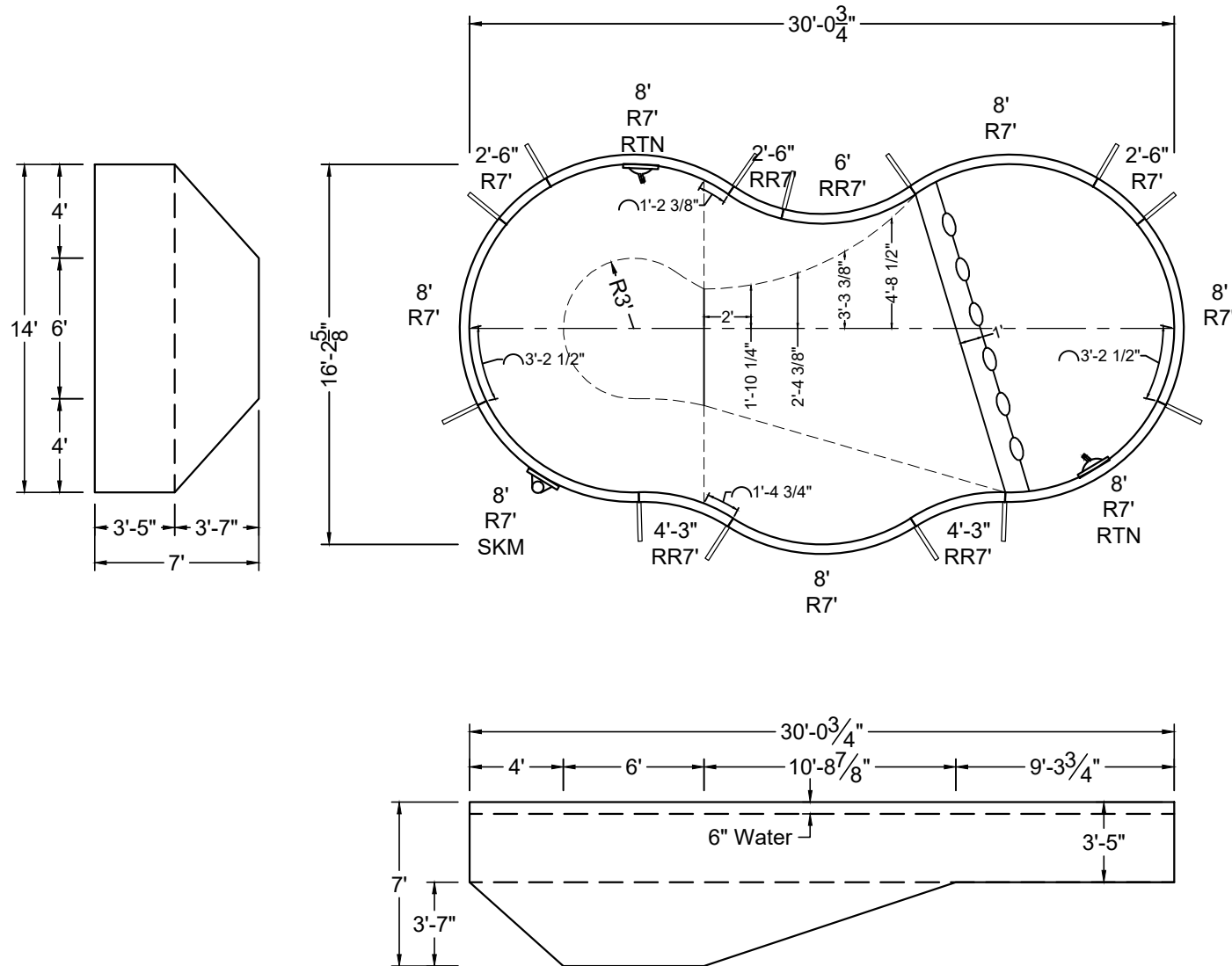
SHAPE: ALOHA	SIZE: 14' X 30'-1"	HAND: LEFT	PANEL HEIGHT: 3'-6"	DRAWN BY: NM-BCC
DWG #: MN1430AL-19	DATE: 12/16/2016	REVISION #: 01	KIT REF: MN1430AL-19-L	B



NON-DIVING POOL
USE OF DIVING EQUIPMENT IS PROHIBITED

DOES NOT MEET DEPTH AND SHAPE MINIMUM STANDARD ANSI/NSPI5-2003

ALL DIMENSIONS ARE FINISHED



SHAPE : ALOHA	SIZE : 14' X 30'-1"	HAND : RIGHT	PANEL HEIGHT : 3'-6"	PANEL TYPE : 5" TOP
PERIMETER : 78'	VOLUME : 13,223 US GAL.	SURFACE AREA : 375.155 SQ. FT.	SCALE : N.T.S	DRAWN BY : NM-BCC
DWG # : MN1430AL-19	DATE : 12/16/2016	REVISION # : 01	KIT REF : MN1430AL-19-R	A



MEGNA
POOLS

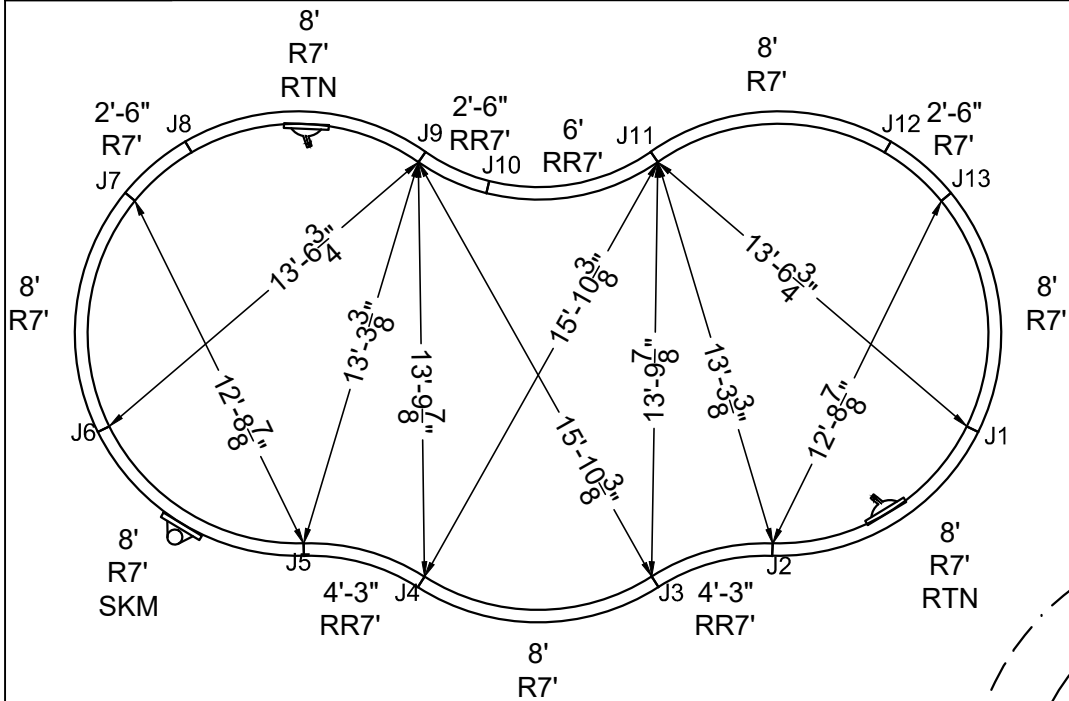
Magna Plastic Packaging Corp.



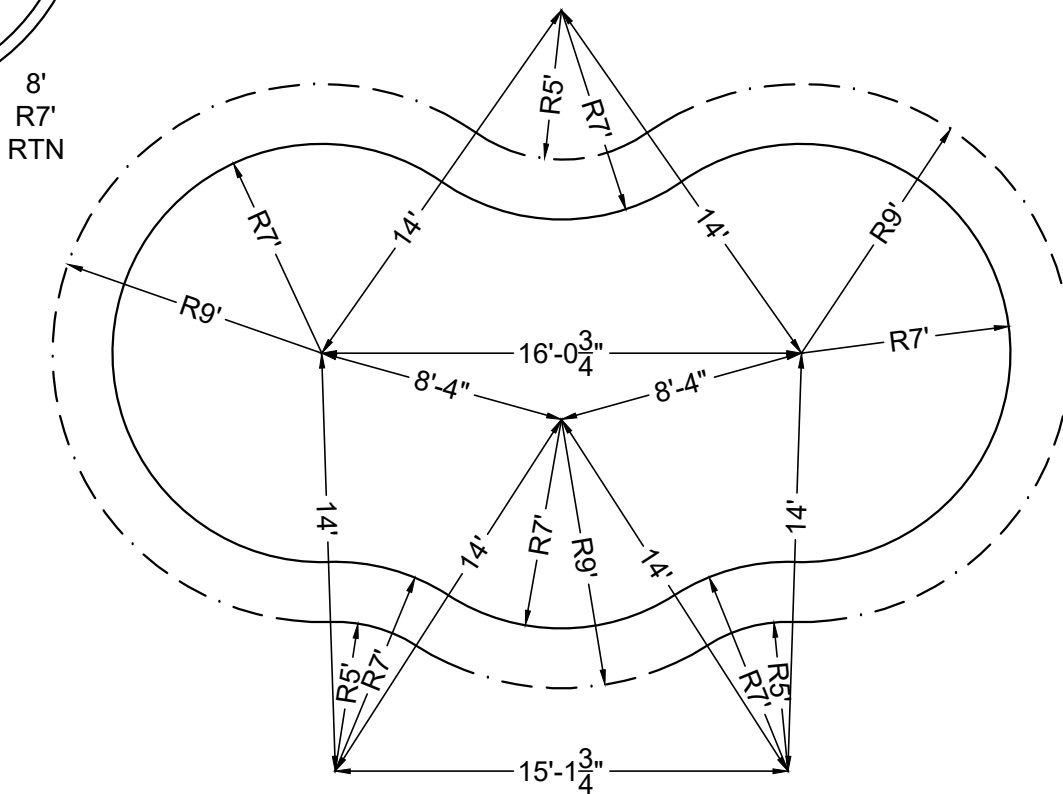
NON-DIVING POOL
USE OF DIVING EQUIPMENT IS PROHIBITED

DOES NOT MEET DEPTH AND SHAPE MINIMUM STANDARD ANSI/NSPI5-2003

ALL DIMENSIONS ARE FINISHED



STEEL CHECK



STAKE OUT

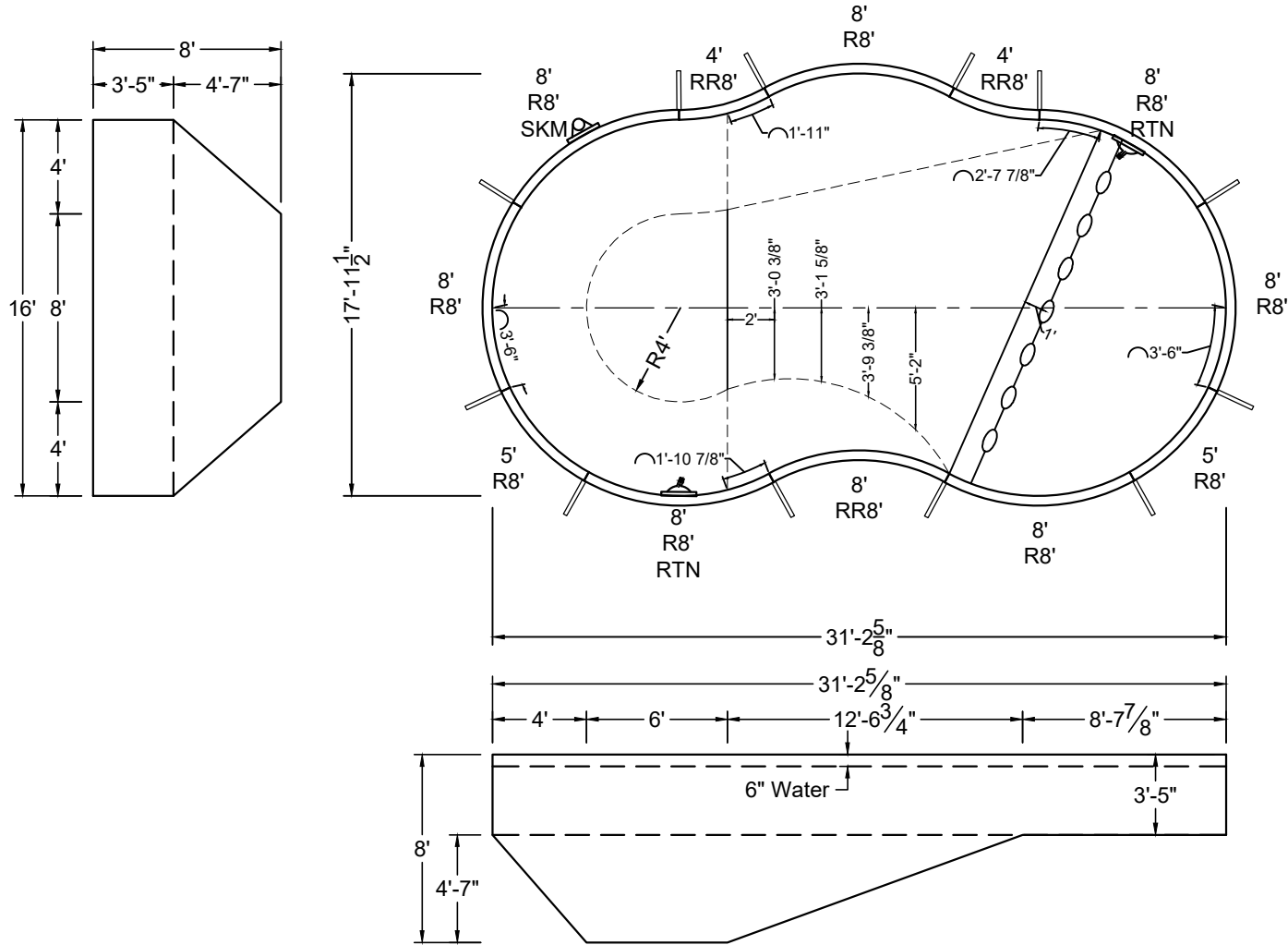
SHAPE: ALOHA	SIZE: 14' X 30'-1"	HAND: RIGHT	PANEL HEIGHT: 3'-6"	DRAWN BY: NM-BCC
DWG #: MN1430AL-19	DATE: 12/16/2016	REVISION #: 01	KIT REF: MN1430AL-19-R	B



NON-DIVING POOL
USE OF DIVING EQUIPMENT IS PROHIBITED

DOES NOT MEET DEPTH AND SHAPE MINIMUM STANDARD ANSI/NSPI5-2003

ALL DIMENSIONS ARE FINISHED

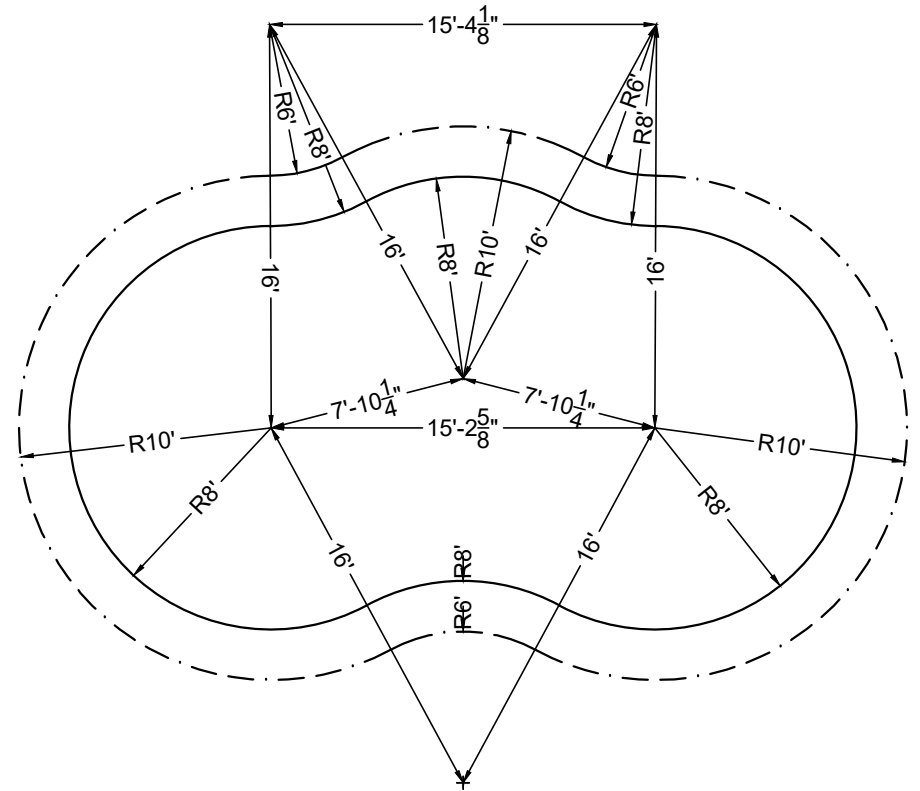
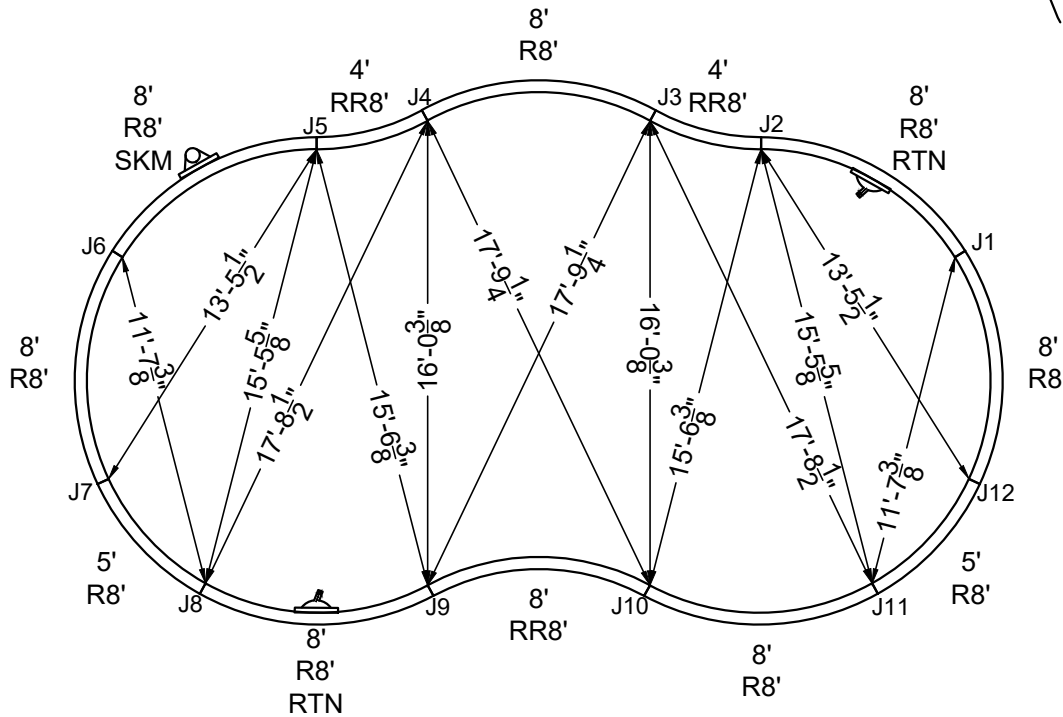


SHAPE : ALOHA	SIZE : 16' X 31'-3"	HAND : LEFT	PANEL HEIGHT : 3'-6"	PANEL TYPE : 5" TOP
PERIMETER : 82'	VOLUME : 17,362 US GAL.	SURFACE AREA : 444.913 SQ. FT.	SCALE : N.T.S	DRAWN BY : NM-BCC
DWG # : MN1631AL-19	DATE : 12/16/2016	REVISION # : 01	KIT REF : MN1631AL-19-L	A



ALL DIMENSIONS ARE FINISHED

STEEL CHECK

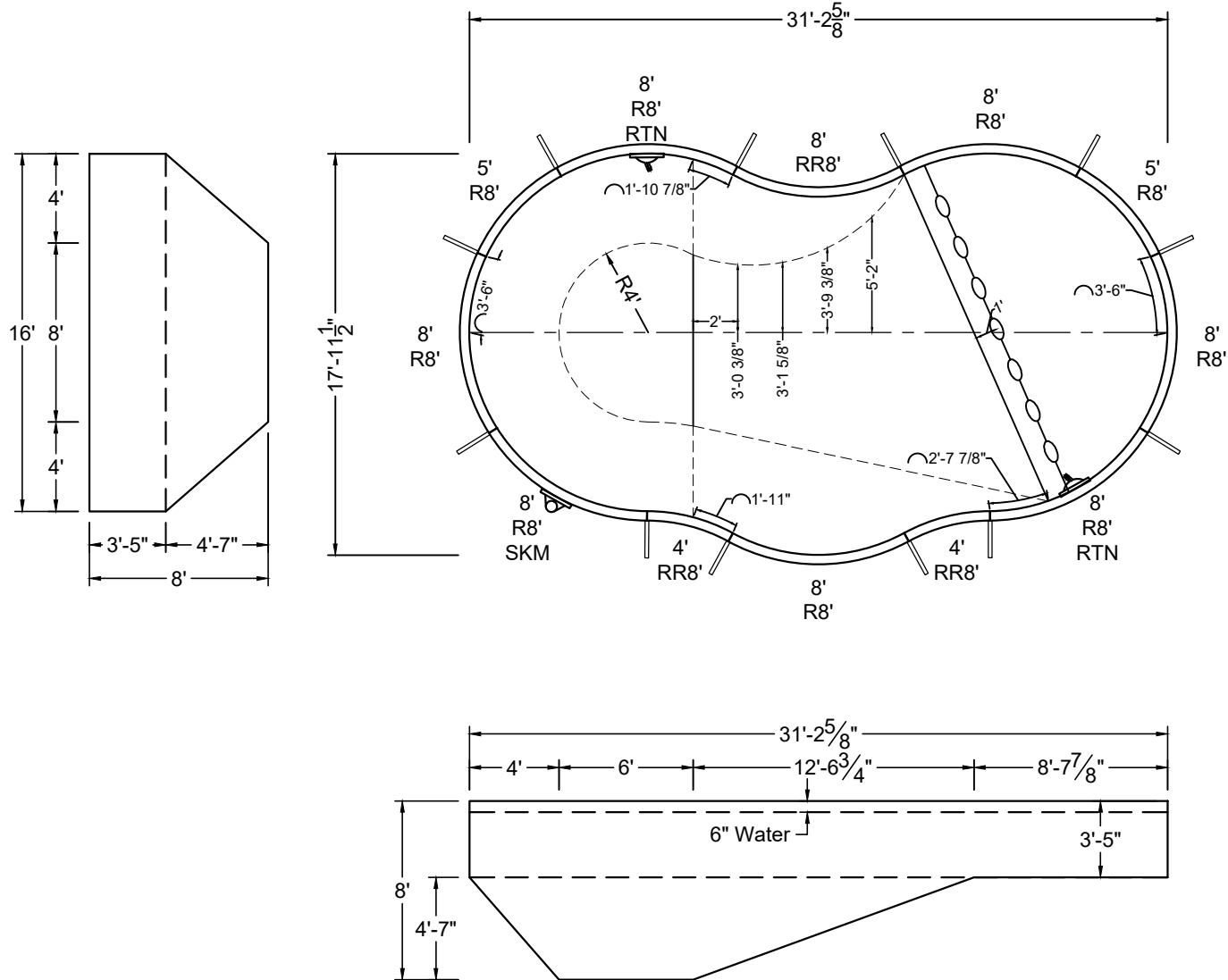


STAKE OUT

SHAPE: ALOHA	SIZE: 16' X 31'-3"	HAND: LEFT	PANEL HEIGHT: 3'-6"	DRAWN BY: NM-BCC
DWG #: MN1631AL-19	DATE: 12/16/2016	REVISION #: 01	KIT REF: MN1631AL-19-L	B



ALL DIMENSIONS ARE FINISHED



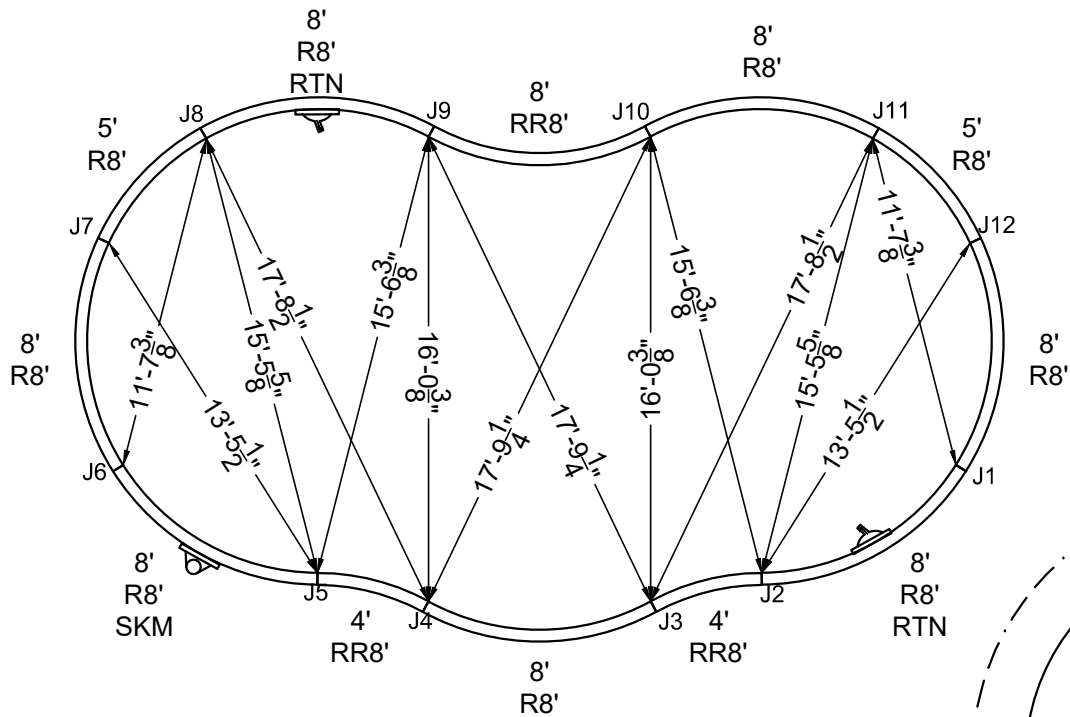
SHAPE: ALOHA	SIZE: 16' X 31'-3"	HAND: RIGHT	PANEL HEIGHT: 3'-6"	PANEL TYPE: 5" TOP
PERIMETER: 82'	VOLUME: 17,362 US GAL.	SURFACE AREA: 444.913 SQ. FT.	SCALE: N.T.S	DRAWN BY: NM-BCC
DWG #: MN1631AL-19	DATE: 12/16/2016	REVISION #: 01	KIT REF: MN1631AL-19-R	A



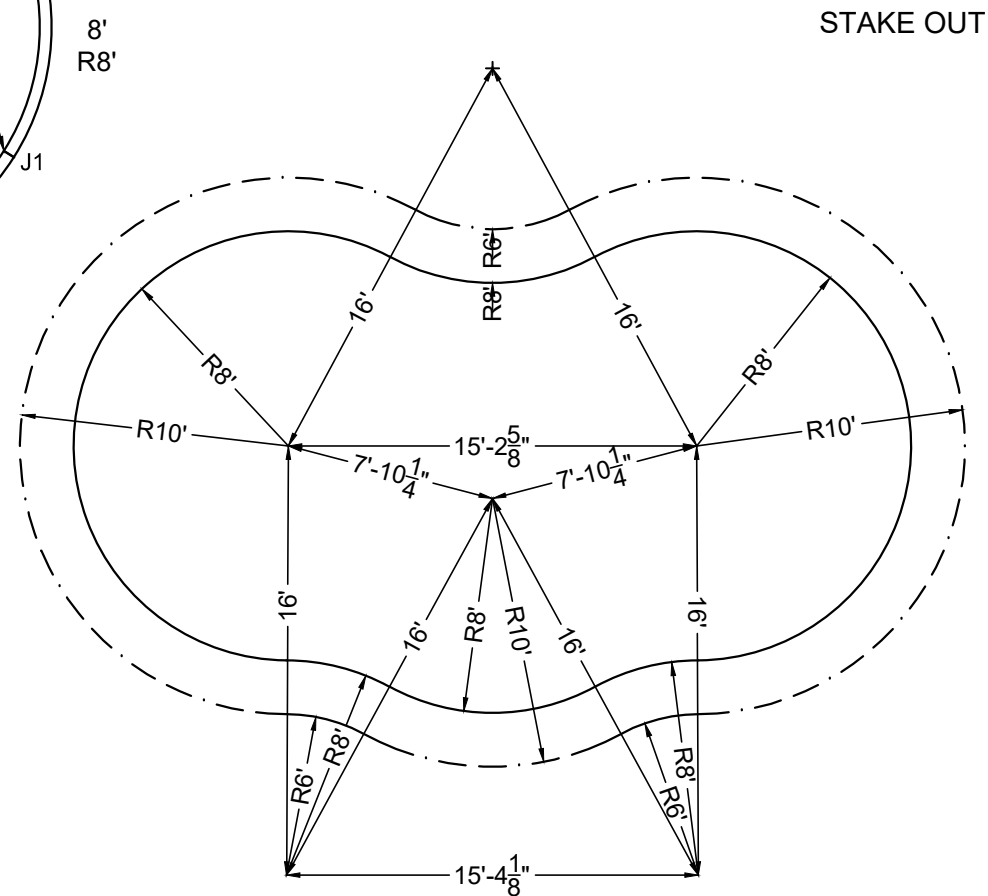
NON-DIVING POOL
USE OF DIVING EQUIPMENT IS PROHIBITED

DOES NOT MEET DEPTH AND SHAPE MINIMUM STANDARD ANSI/NSPI5-2003

ALL DIMENSIONS ARE FINISHED



STEEL CHECK



STAKE OUT

SHAPE: ALOHA	SIZE: 16' X 31'-3"	HAND: RIGHT	PANEL HEIGHT: 3'-6"	DRAWN BY: NM-BCC
DWG #: MN1631AL-19	DATE: 12/16/2016	REVISION #: 01	KIT REF: MN1631AL-19-R	B



MEGNA
POOLS

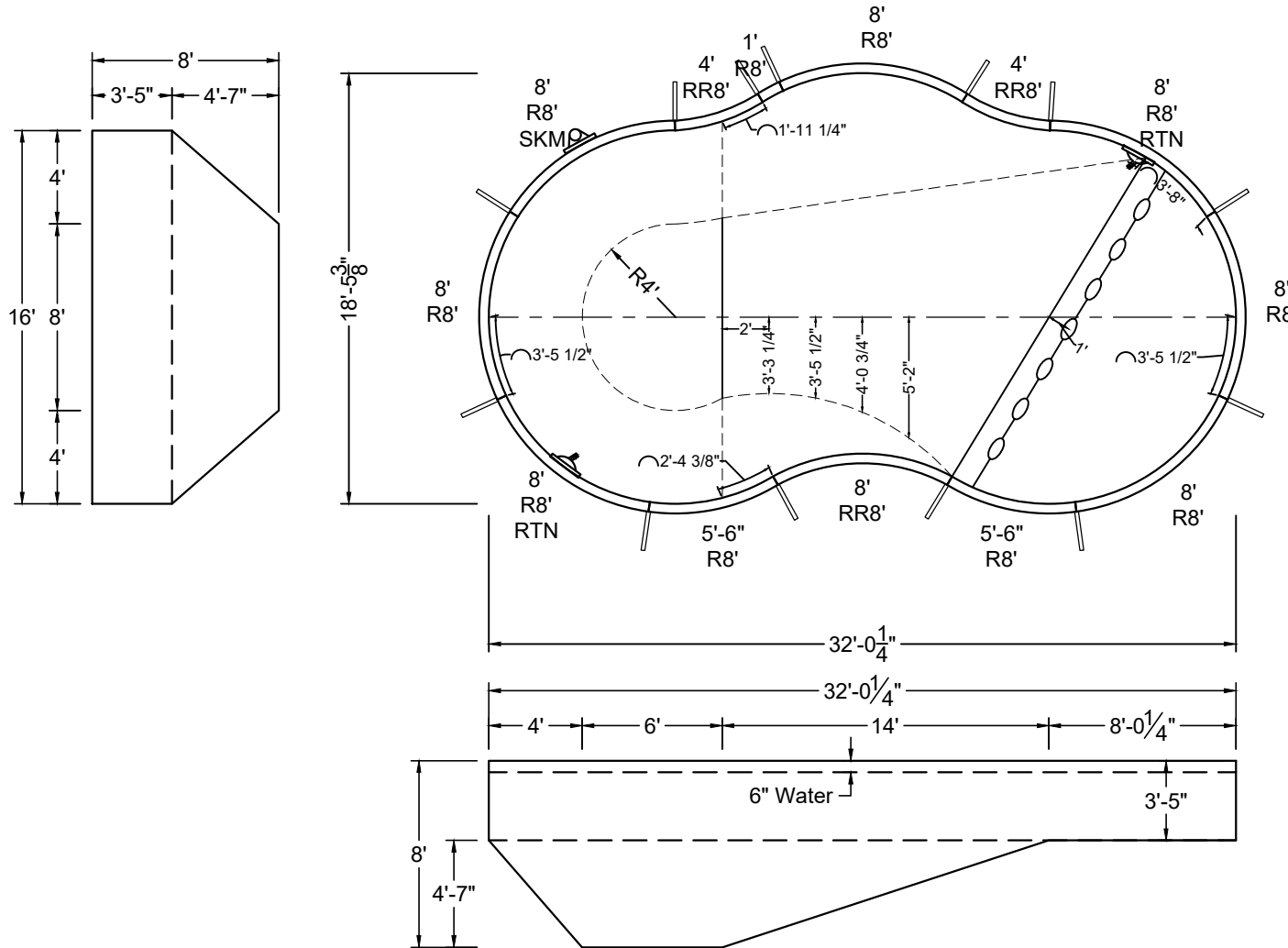
Magna Plastic Packaging Corp.

DIVING / SLIDE EQUIPMENT DISCLAIMER:

THE BOTTOM CONFIGURATION SHOWN MEETS WITH THE CURRENT ISPSC MINIMUM STANDARDS FOR POOLS APPROVED FOR THE USE WITH MANUFACTURED DIVING EQUIPMENT. ALL DIVING EQUIPMENT MUST BE INSTALLED AND LOCATED IN ACCORDANCE WITH THE DIVING / SLIDE MANUFACTURER'S RECOMMENDATIONS. IF DIVING EQUIPMENT IS INSTALLED: PLEASE FOLLOW ALL THE DIVING / SLIDE EQUIPMENT MANUFACTURER'S INSTALLATION, USE AND SAFETY INSTRUCTIONS.

MEETS DEPTH AND SHAPE MINIMUM STANDARD ANSI/NSPI5-2003

ALL DIMENSIONS ARE FINISHED



SHAPE : ALOHA	SIZE : 16' X 32'	HAND : LEFT	PANEL HEIGHT : 3'-6"	PANEL TYPE : 5" TOP
PERIMETER : 84'	VOLUME : 18,070 US GAL.	SURFACE AREA : 460.884 SQ. FT.	SCALE : N.T.S	DRAWN BY : NM-BCC
DWG # : MN1632AL-19	DATE : 12/16/2016	REVISION # : 01	KIT REF : MN1632AL-19-L	A



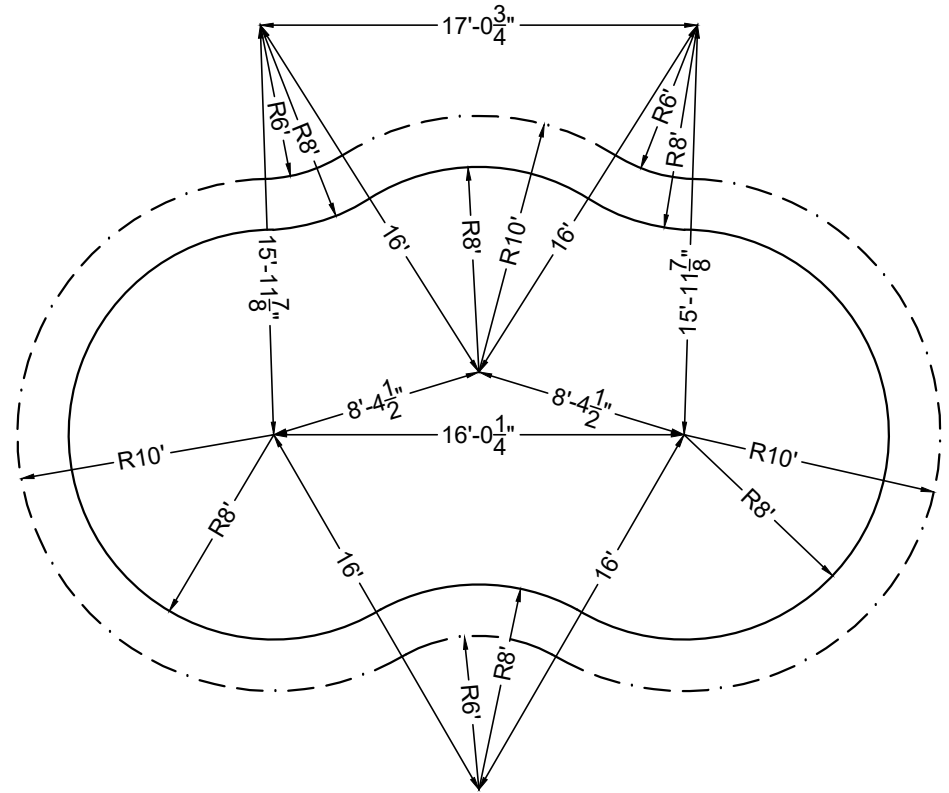
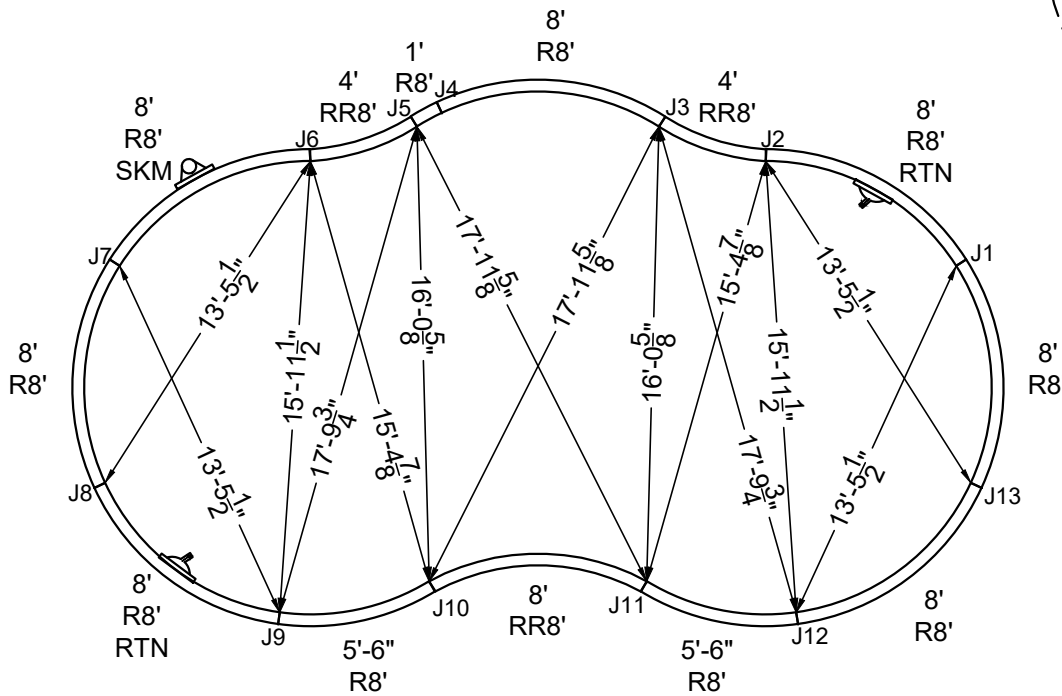
ALL DIMENSIONS ARE FINISHED

DIVING / SLIDE EQUIPMENT DISCLAIMER:

THE BOTTOM CONFIGURATION SHOWN MEETS WITH THE CURRENT ISPSC MINIMUM STANDARDS FOR POOLS APPROVED FOR THE USE WITH MANUFACTURED DIVING EQUIPMENT. ALL DIVING EQUIPMENT MUST BE INSTALLED AND LOCATED IN ACCORDANCE WITH THE DIVING / SLIDE MANUFACTURER'S RECOMMENDATIONS. IF DIVING EQUIPMENT IS INSTALLED: PLEASE FOLLOW ALL THE DIVING / SLIDE EQUIPMENT MANUFACTURER'S INSTALLATION, USE AND SAFETY INSTRUCTIONS.

MEETS DEPTH AND SHAPE MINIMUM STANDARD ANSI/NFPA-2003

STEEL CHECK



STAKE OUT

SHAPE : ALOHA	SIZE : 16' X 32'	HAND : LEFT	PANEL HEIGHT : 3'-6"	DRAWN BY : NM-BCC
DWG # : MN1632AL-19	DATE : 12/16/2016	REVISION # : 01	KIT REF : MN1632AL-19-L	B

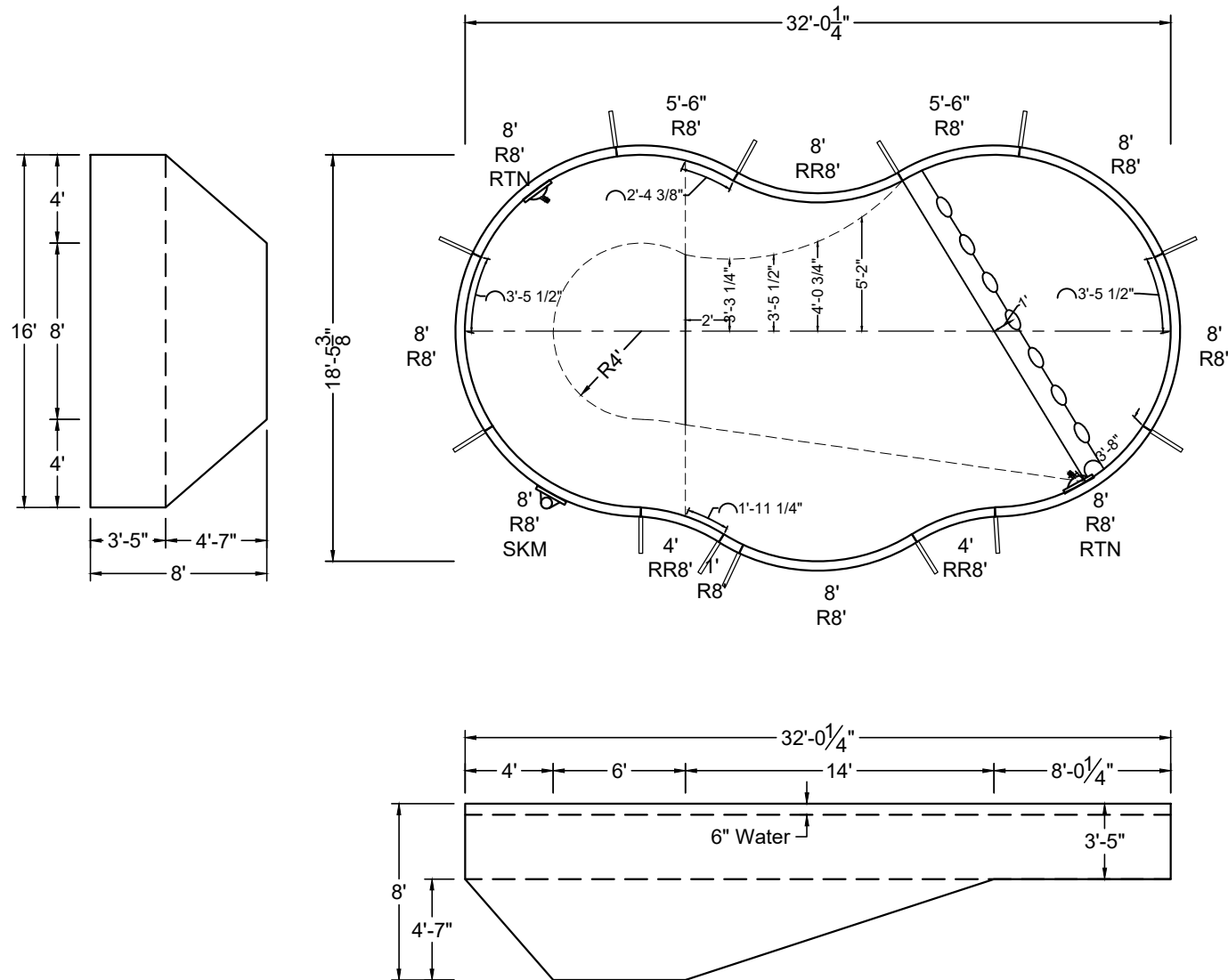


DIVING / SLIDE EQUIPMENT DISCLAIMER:

THE BOTTOM CONFIGURATION SHOWN MEETS WITH THE CURRENT ISPSM MINIMUM STANDARDS FOR POOLS APPROVED FOR THE USE WITH MANUFACTURED DIVING EQUIPMENT. ALL DIVING EQUIPMENT MUST BE INSTALLED AND LOCATED IN ACCORDANCE WITH THE DIVING / SLIDE MANUFACTURER'S RECOMMENDATIONS. IF DIVING EQUIPMENT IS INSTALLED: PLEASE FOLLOW ALL THE DIVING / SLIDE EQUIPMENT MANUFACTURER'S INSTALLATION, USE AND SAFETY INSTRUCTIONS.

MEETS DEPTH AND SHAPE MINIMUM STANDARD ANSI/NSPI5-2003

ALL DIMENSIONS ARE FINISHED



SHAPE: ALOHA	SIZE: 16' X 32'	HAND: RIGHT	PANEL HEIGHT: 3'-6"	PANEL TYPE: 5" TOP
PERIMETER: 84'	VOLUME: 18,070 US GAL.	SURFACE AREA: 460.884 SQ. FT.	SCALE: N.T.S	DRAWN BY: NM-BCC
DWG #: MN1632AL-19	DATE: 12/16/2016	REVISION #: 01	KIT REF: MN1632AL-19-R	A



MEGNA
POOLS

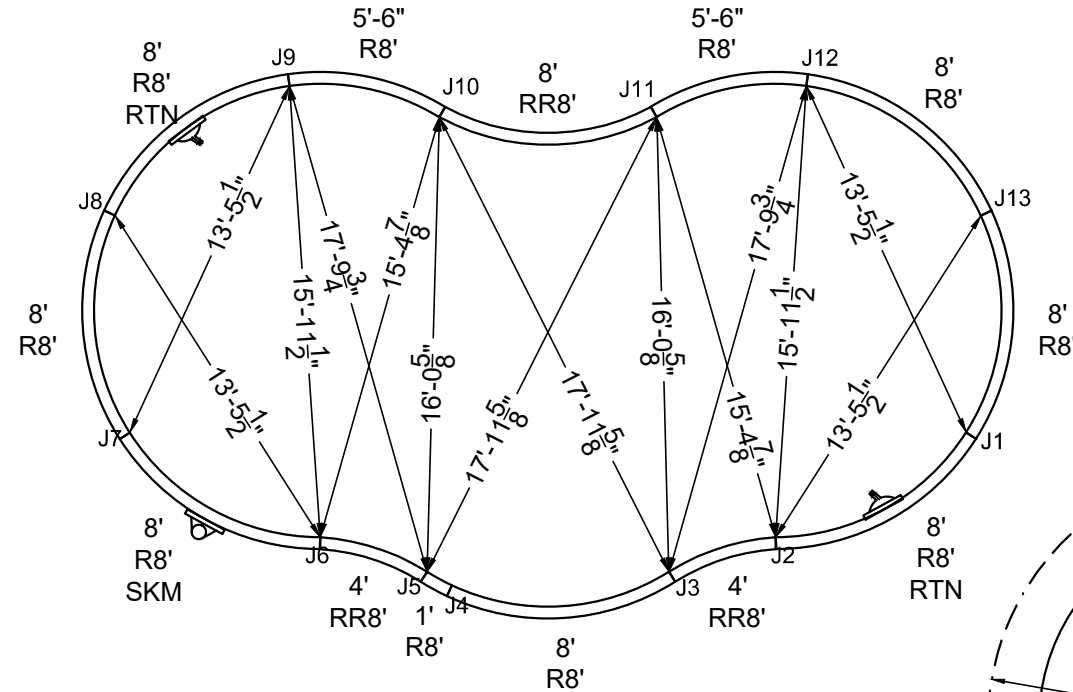
Magna Plastic Packaging Corp.

DIVING / SLIDE EQUIPMENT DISCLAIMER:

THE BOTTOM CONFIGURATION SHOWN MEETS WITH THE CURRENT ISPSC MINIMUM STANDARDS FOR POOLS APPROVED FOR THE USE WITH MANUFACTURED DIVING EQUIPMENT. ALL DIVING EQUIPMENT MUST BE INSTALLED AND LOCATED IN ACCORDANCE WITH THE DIVING / SLIDE MANUFACTURER'S RECOMMENDATIONS. IF DIVING EQUIPMENT IS INSTALLED: PLEASE FOLLOW ALL THE DIVING / SLIDE EQUIPMENT MANUFACTURER'S INSTALLATION, USE AND SAFETY INSTRUCTIONS.

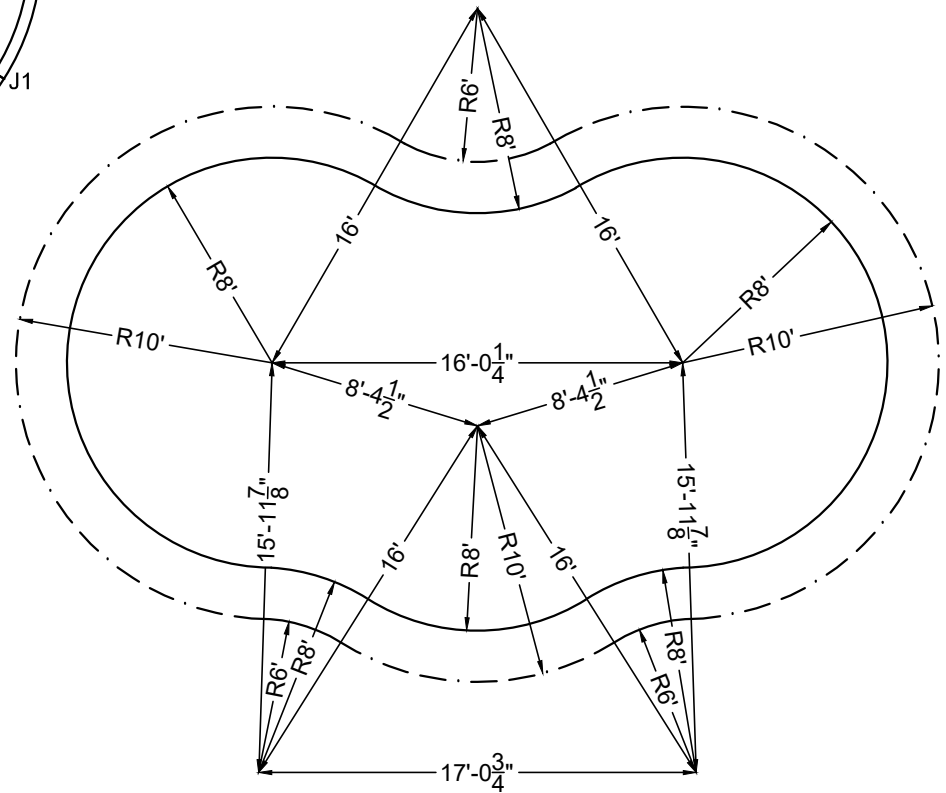
MEETS DEPTH AND SHAPE MINIMUM STANDARD ANSI/NSPI5-2003

ALL DIMENSIONS ARE FINISHED



STEEL CHECK

STAKE OUT



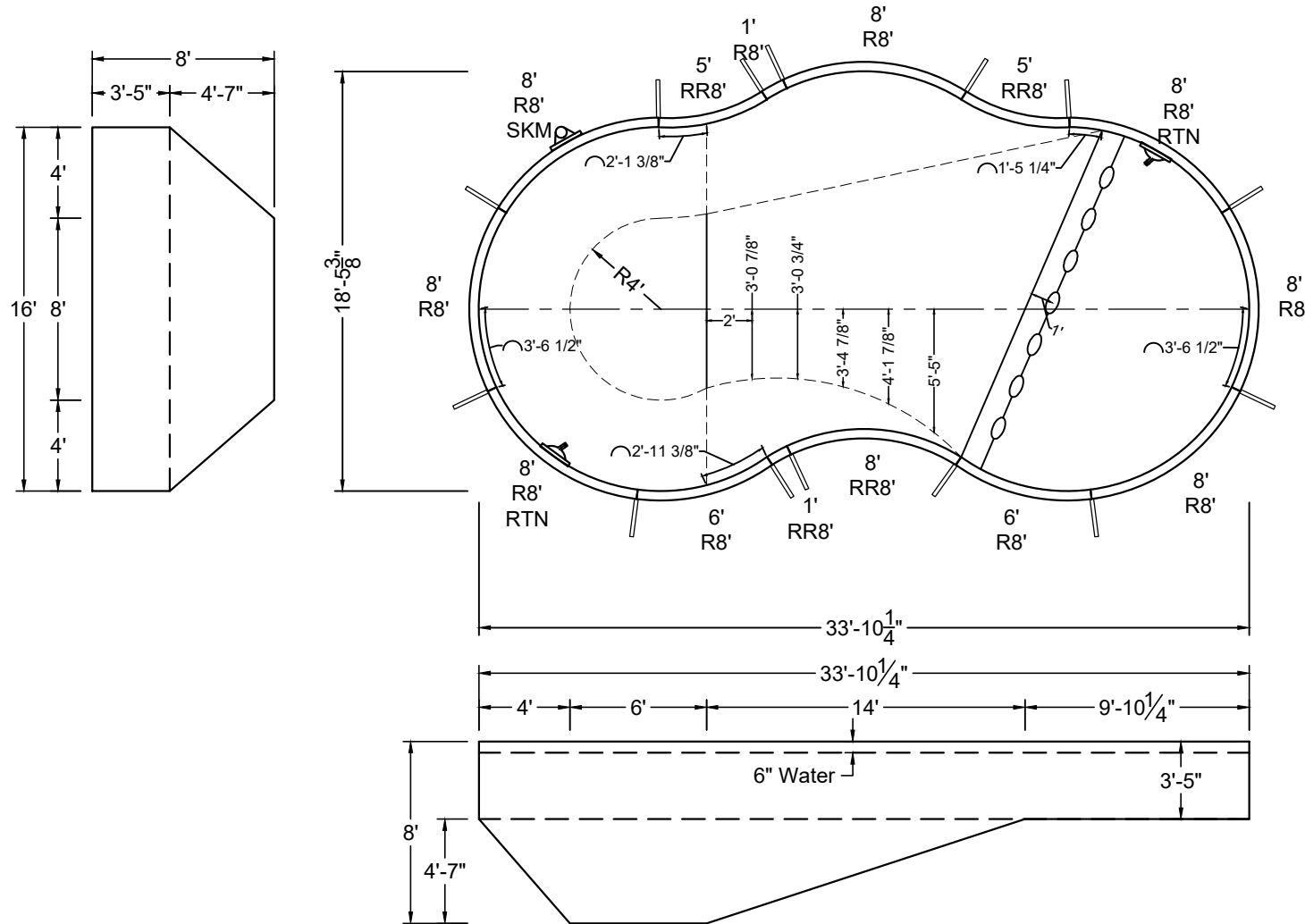
SHAPE : ALOHA	SIZE : 16' X 32'	HAND : RIGHT	PANEL HEIGHT : 3'-6"	DRAWN BY : NM-BCC
DWG # : MN1632AL-19	DATE : 12/16/2016	REVISION # : 01	KIT REF : MN1632AL-19-R	B

DIVING / SLIDE EQUIPMENT DISCLAIMER:

THE BOTTOM CONFIGURATION SHOWN MEETS WITH THE CURRENT ISPSC MINIMUM STANDARDS FOR POOLS APPROVED FOR THE USE WITH MANUFACTURED DIVING EQUIPMENT. ALL DIVING EQUIPMENT MUST BE INSTALLED AND LOCATED IN ACCORDANCE WITH THE DIVING / SLIDE MANUFACTURER'S RECOMMENDATIONS. IF DIVING EQUIPMENT IS INSTALLED: PLEASE FOLLOW ALL THE DIVING / SLIDE EQUIPMENT MANUFACTURER'S INSTALLATION, USE AND SAFETY INSTRUCTIONS.

MEETS DEPTH AND SHAPE MINIMUM STANDARD ANSI/NSPI5-2003

ALL DIMENSIONS ARE FINISHED



SHAPE : ALOHA	SIZE : 16' X 33'-10"	HAND : LEFT	PANEL HEIGHT : 3'-6"	PANEL TYPE : 5" TOP
PERIMETER : 88'	VOLUME : 18,558 US GAL.	SURFACE AREA : 483.076 SQ. FT.	SCALE : N.T.S	DRAWN BY : NM-BCC
DWG # : MN1634AL-19	DATE : 12/16/2016	REVISION # : 01	KIT REF : MN1634AL-19-L	A



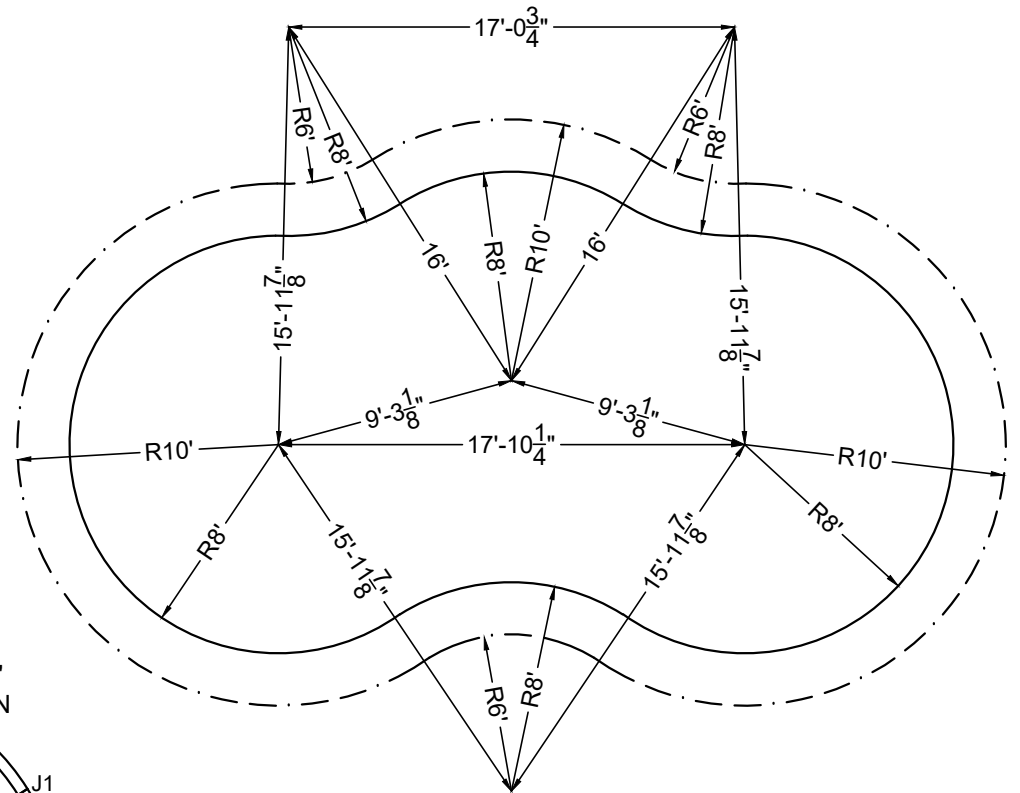
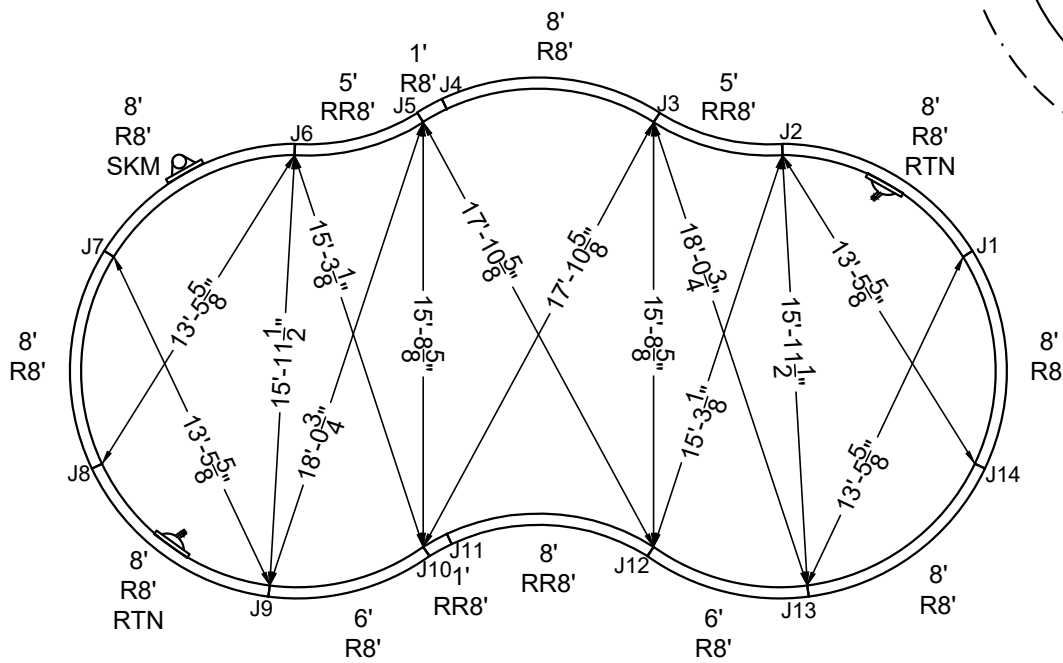
DIVING / SLIDE EQUIPMENT DISCLAIMER:

THE BOTTOM CONFIGURATION SHOWN MEETS WITH THE CURRENT ISPSM MINIMUM STANDARDS FOR POOLS APPROVED FOR THE USE WITH MANUFACTURED DIVING EQUIPMENT. ALL DIVING EQUIPMENT MUST BE INSTALLED AND LOCATED IN ACCORDANCE WITH THE DIVING / SLIDE MANUFACTURER'S RECOMMENDATIONS. IF DIVING EQUIPMENT IS INSTALLED: PLEASE FOLLOW ALL THE DIVING / SLIDE EQUIPMENT MANUFACTURER'S INSTALLATION, USE AND SAFETY INSTRUCTIONS.

MEETS DEPTH AND SHAPE MINIMUM STANDARD ANSI/NSPI5-2003

ALL DIMENSIONS ARE FINISHED

STEEL CHECK



STAKE OUT

SHAPE: ALOHA	SIZE: 16' X 33'-10"	HAND: LEFT	PANEL HEIGHT: 3'-6"	DRAWN BY: NM-BCC
DWG #: MN1634AL-19	DATE: 12/16/2016	REVISION #: 01	KIT REF: MN1634AL-19-L	B



MEGNA
POOLS

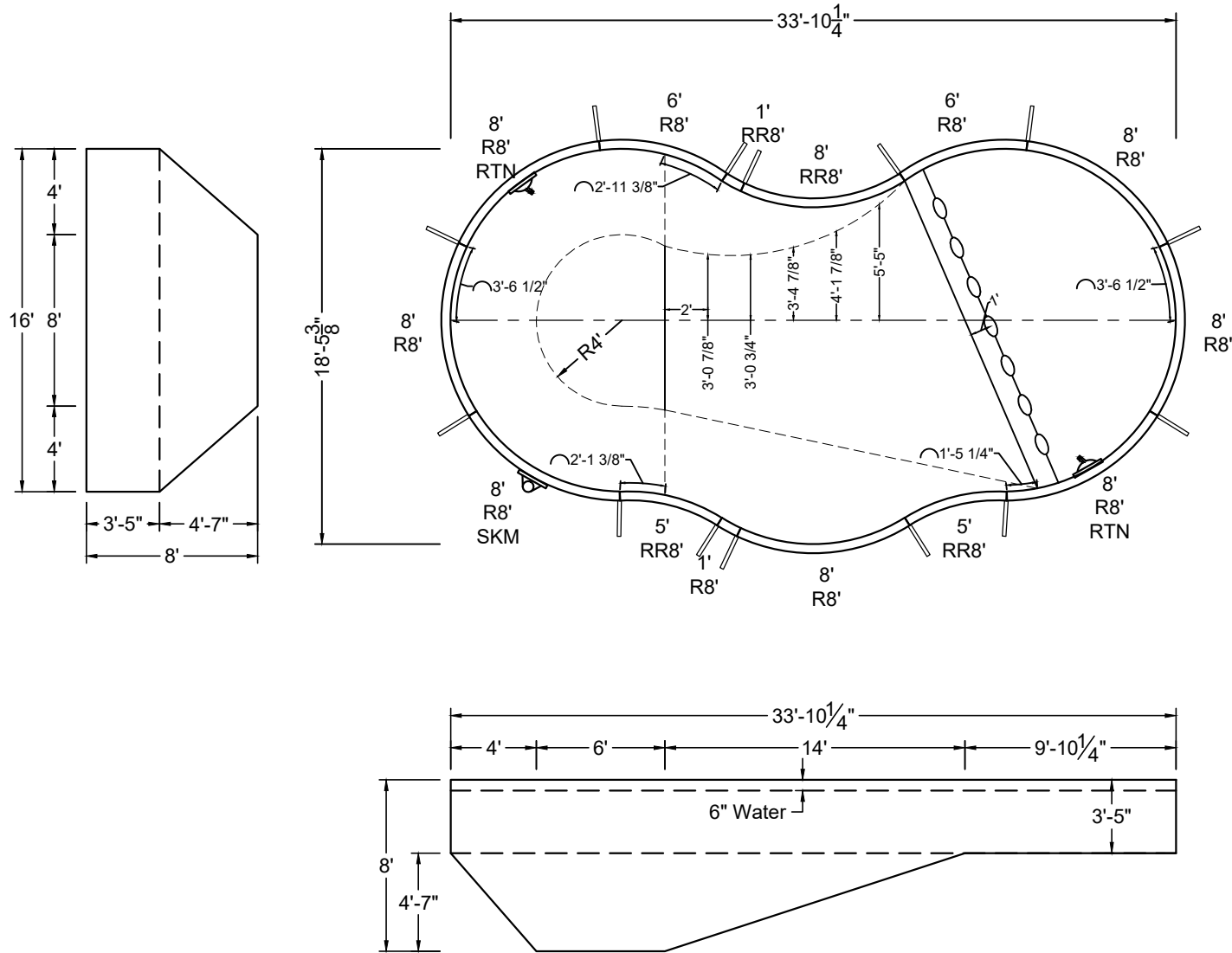
Magna Plastic Packaging Corp.

DIVING / SLIDE EQUIPMENT DISCLAIMER:

THE BOTTOM CONFIGURATION SHOWN MEETS WITH THE CURRENT ISPSM MINIMUM STANDARDS FOR POOLS APPROVED FOR THE USE WITH MANUFACTURED DIVING EQUIPMENT. ALL DIVING EQUIPMENT MUST BE INSTALLED AND LOCATED IN ACCORDANCE WITH THE DIVING / SLIDE MANUFACTURER'S RECOMMENDATIONS. IF DIVING EQUIPMENT IS INSTALLED: PLEASE FOLLOW ALL THE DIVING / SLIDE EQUIPMENT MANUFACTURER'S INSTALLATION, USE AND SAFETY INSTRUCTIONS.

MEETS DEPTH AND SHAPE MINIMUM STANDARD ANSI/NSP15-2003

ALL DIMENSIONS ARE FINISHED



SHAPE : ALOHA	SIZE : 16' X 33'-10"	HAND : RIGHT	PANEL HEIGHT : 3'-6"	PANEL TYPE : 5" TOP
PERIMETER : 88'	VOLUME : 18,558 US GAL.	SURFACE AREA : 483.076 SQ. FT.	SCALE : N.T.S	DRAWN BY : NM-BCC
DWG # : MN1634AL-19	DATE : 12/16/2016	REVISION # : 01	KIT REF : MN1634AL-19-R	A



MEGNA
POOLS

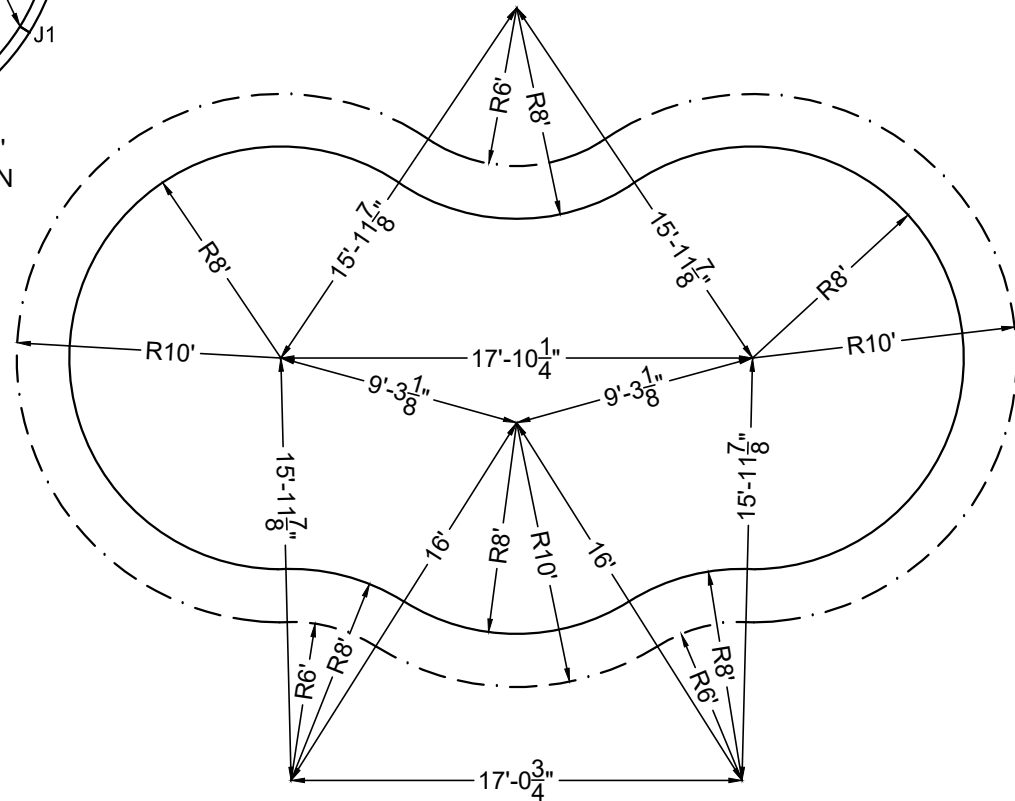
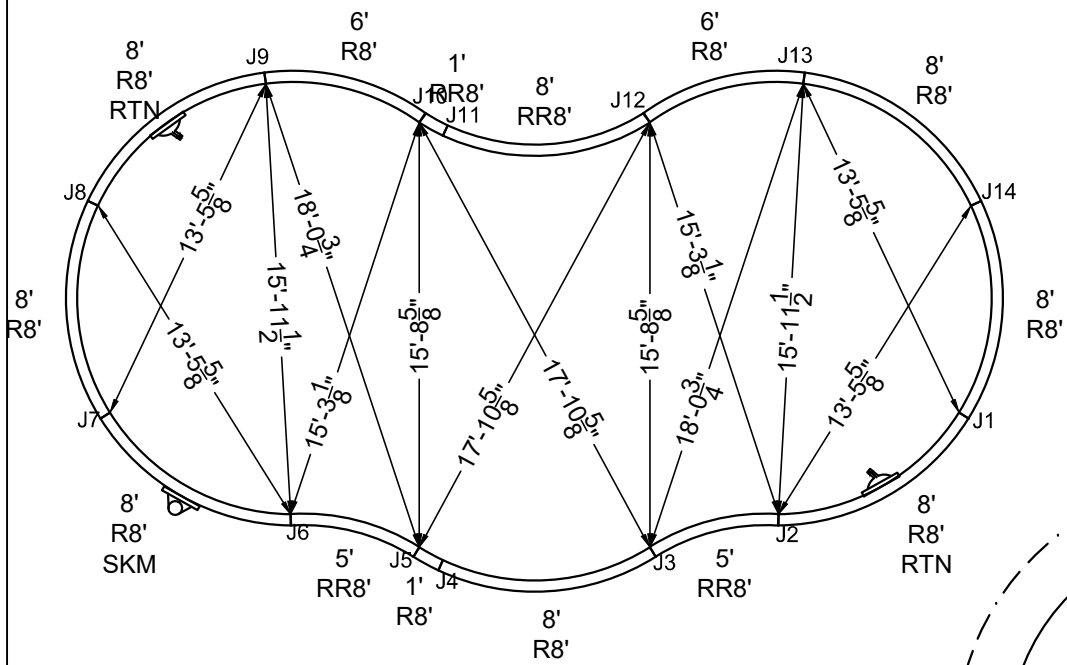
Magna Plastic Packaging Corp.

DIVING / SLIDE EQUIPMENT DISCLAIMER:

THE BOTTOM CONFIGURATION SHOWN MEETS WITH THE CURRENT ISPSC MINIMUM STANDARDS FOR POOLS APPROVED FOR THE USE WITH MANUFACTURED DIVING EQUIPMENT. ALL DIVING EQUIPMENT MUST BE INSTALLED AND LOCATED IN ACCORDANCE WITH THE DIVING / SLIDE MANUFACTURER'S RECOMMENDATIONS. IF DIVING EQUIPMENT IS INSTALLED: PLEASE FOLLOW ALL THE DIVING / SLIDE EQUIPMENT MANUFACTURER'S INSTALLATION, USE AND SAFETY INSTRUCTIONS.

MEETS DEPTH AND SHAPE MINIMUM STANDARD ANSI/NFPA-2003

ALL DIMENSIONS ARE FINISHED



SHAPE: ALOHA	SIZE: 16' X 33'-10"	HAND: RIGHT	PANEL HEIGHT: 3'-6"	DRAWN BY: NM-BCC
DWG #: MN1634AL-19	DATE: 12/16/2016	REVISION #: 01	KIT REF: MN1634AL-19-R	B



MEGNA
POOLS

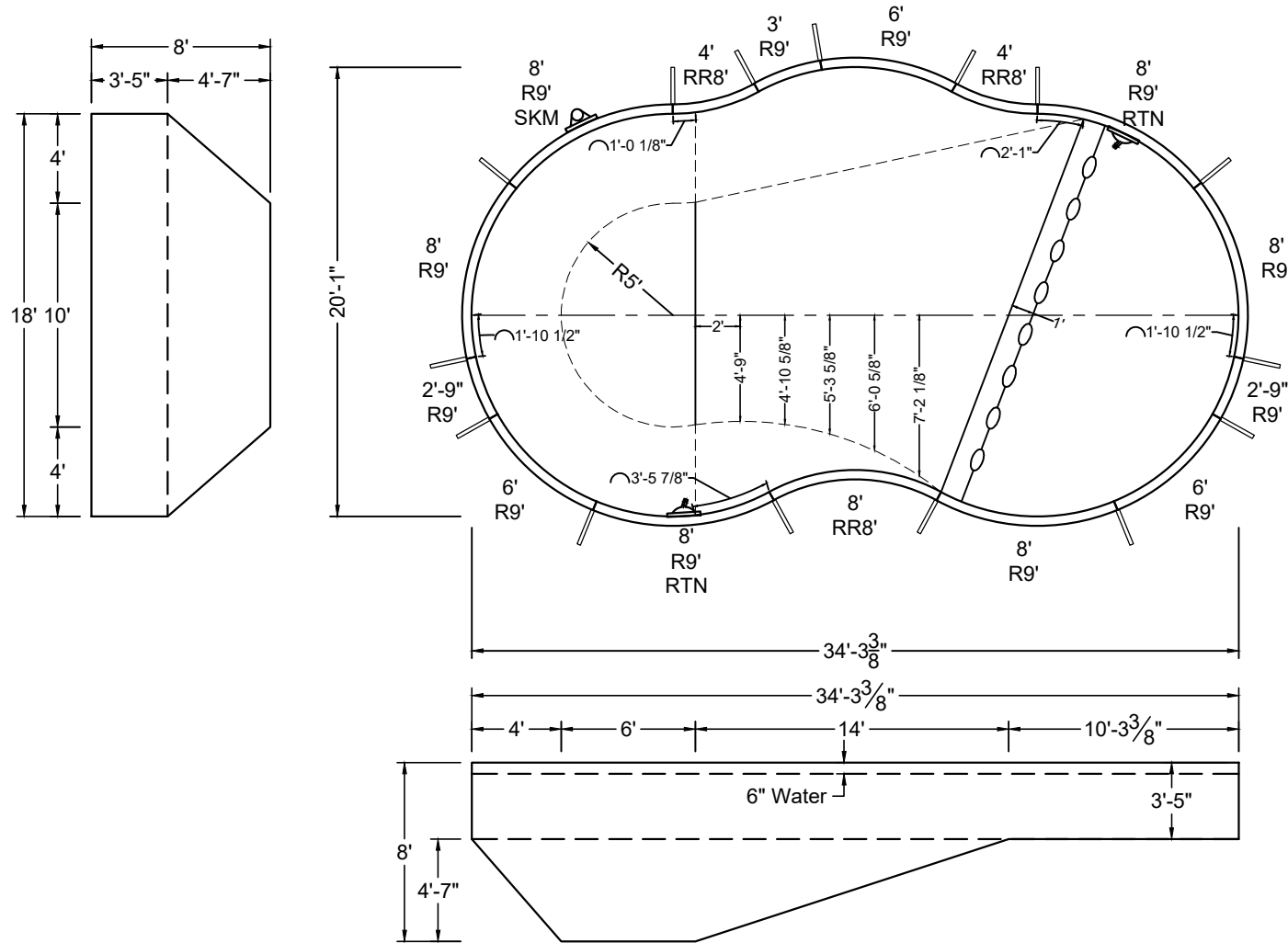
Magna Plastic Packaging Corp.

DIVING / SLIDE EQUIPMENT DISCLAIMER:

THE BOTTOM CONFIGURATION SHOWN MEETS WITH THE CURRENT ISPSC MINIMUM STANDARDS FOR POOLS APPROVED FOR THE USE WITH MANUFACTURED DIVING EQUIPMENT. ALL DIVING EQUIPMENT MUST BE INSTALLED AND LOCATED IN ACCORDANCE WITH THE DIVING / SLIDE MANUFACTURER'S RECOMMENDATIONS. IF DIVING EQUIPMENT IS INSTALLED: PLEASE FOLLOW ALL THE DIVING / SLIDE EQUIPMENT MANUFACTURER'S INSTALLATION, USE AND SAFETY INSTRUCTIONS.

MEETS DEPTH AND SHAPE MINIMUM STANDARD ANSI/NSPI5-2003

ALL DIMENSIONS ARE FINISHED



SHAPE: ALOHA	SIZE: 18' X 34'-3"	HAND: LEFT	PANEL HEIGHT: 3'-6"	PANEL TYPE: 5" TOP
PERIMETER: 90'-6"	VOLUME: 21,271 US GAL.	SURFACE AREA: 548.240 SQ. FT.	SCALE: N.T.S	DRAWN BY: NM-BCC
DWG #: MN1834AL-19	DATE: 12/19/2016	REVISION #: 01	KIT REF: MN1834AL-19-L	A



MEGNA
POOLS

Megna Plastic Packaging Corp.

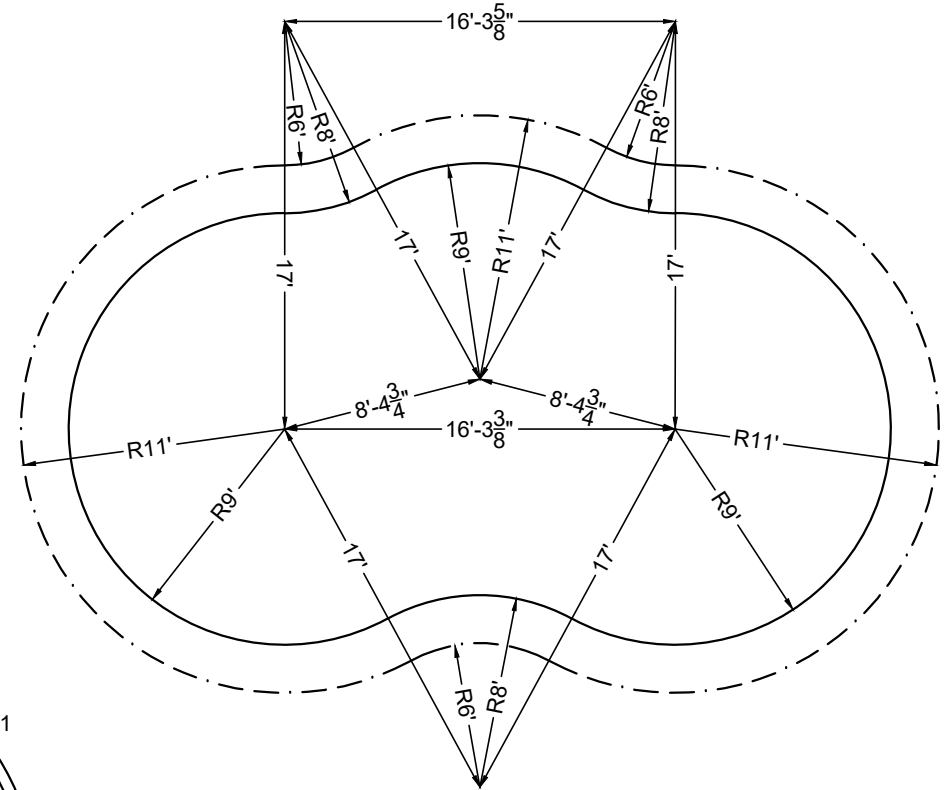
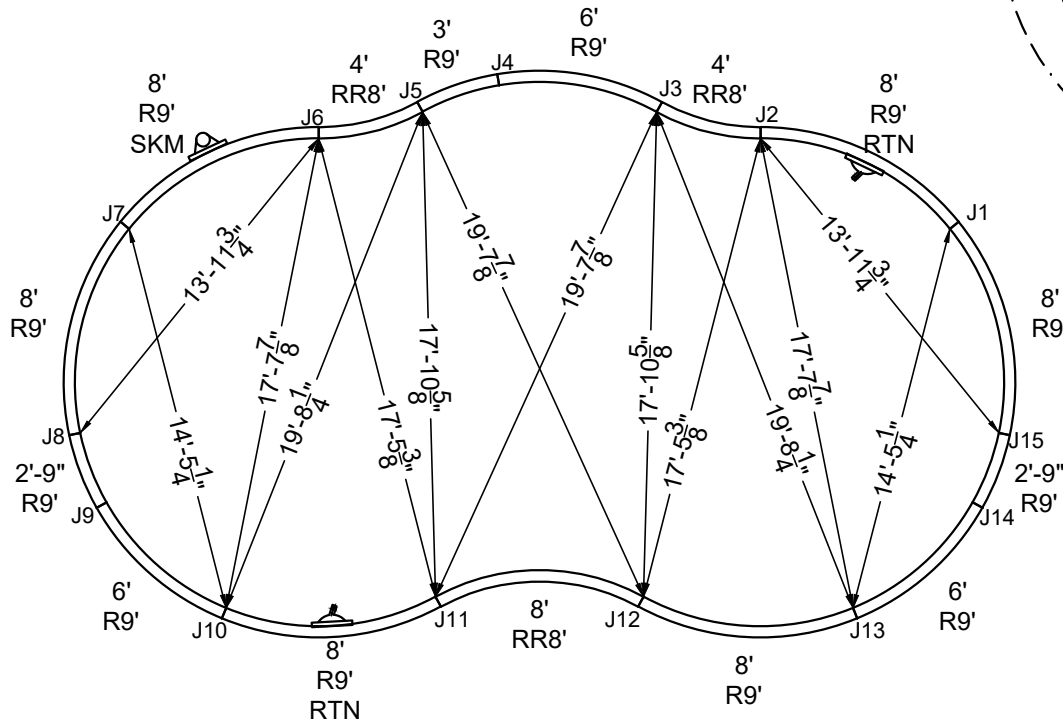
DIVING / SLIDE EQUIPMENT DISCLAIMER:

THE BOTTOM CONFIGURATION SHOWN MEETS WITH THE CURRENT ISPSC MINIMUM STANDARDS FOR POOLS APPROVED FOR THE USE WITH MANUFACTURED DIVING EQUIPMENT. ALL DIVING EQUIPMENT MUST BE INSTALLED AND LOCATED IN ACCORDANCE WITH THE DIVING / SLIDE MANUFACTURER'S RECOMMENDATIONS. IF DIVING EQUIPMENT IS INSTALLED: PLEASE FOLLOW ALL THE DIVING / SLIDE EQUIPMENT MANUFACTURER'S INSTALLATION, USE AND SAFETY INSTRUCTIONS.

MEETS DEPTH AND SHAPE MINIMUM STANDARD ANSI/NSPI5-2003

ALL DIMENSIONS ARE FINISHED

STEEL CHECK



STAKE OUT

SHAPE : ALOHA	SIZE : 18' X 34'-3"	HAND : LEFT	PANEL HEIGHT : 3'-6"	DRAWN BY : NM-BCC
DWG # : MN1834AL-19	DATE : 12/19/2016	REVISION # : 01	KIT REF : MN1834AL-19-L	B



MEGNA
POOLS

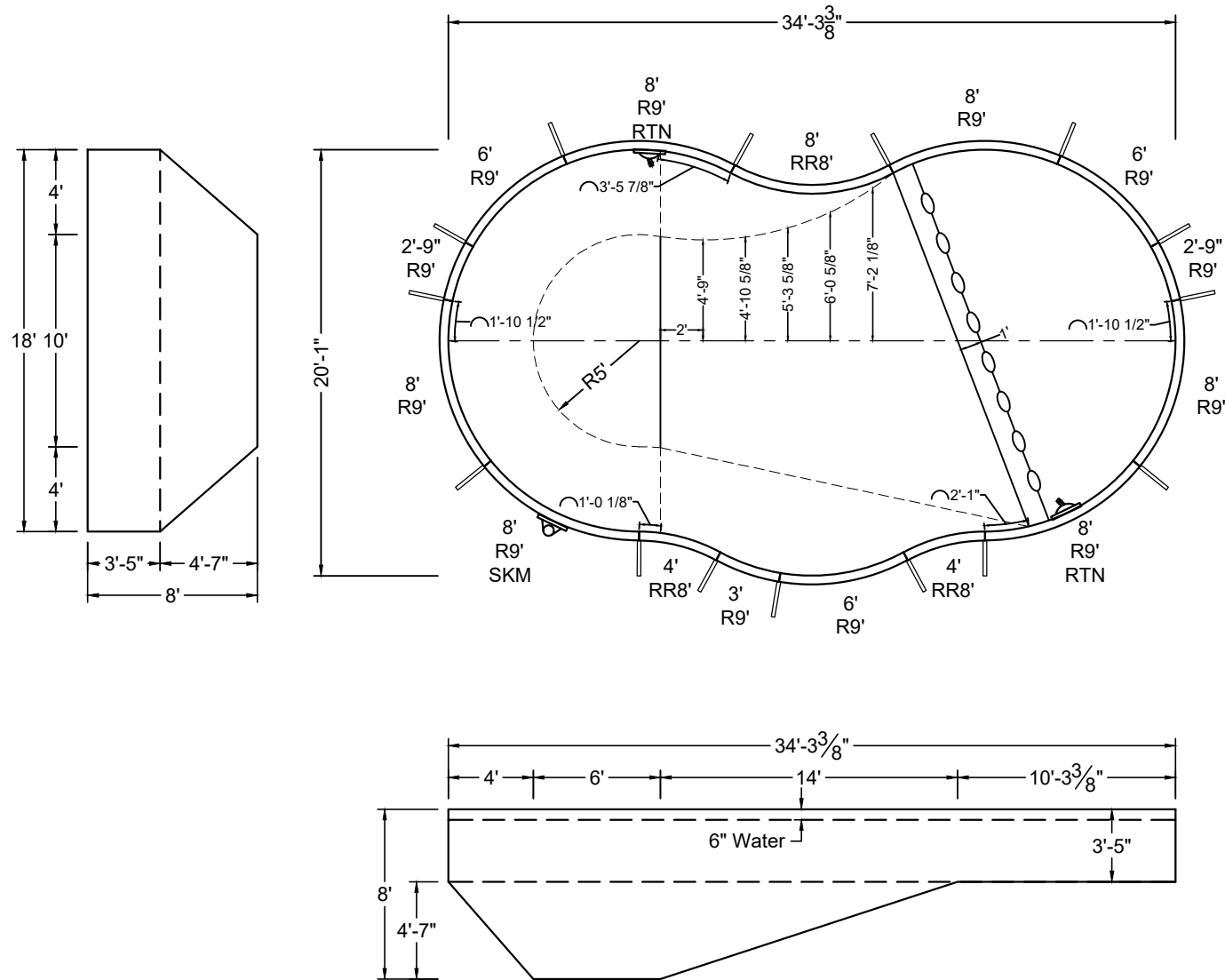
Magna Plastic Packaging Corp.

DIVING / SLIDE EQUIPMENT DISCLAIMER:

THE BOTTOM CONFIGURATION SHOWN MEETS WITH THE CURRENT ISPSM MINIMUM STANDARDS FOR POOLS APPROVED FOR THE USE WITH MANUFACTURED DIVING EQUIPMENT. ALL DIVING EQUIPMENT MUST BE INSTALLED AND LOCATED IN ACCORDANCE WITH THE DIVING / SLIDE MANUFACTURER'S RECOMMENDATIONS. IF DIVING EQUIPMENT IS INSTALLED: PLEASE FOLLOW ALL THE DIVING / SLIDE EQUIPMENT MANUFACTURER'S INSTALLATION, USE AND SAFETY INSTRUCTIONS.

MEETS DEPTH AND SHAPE MINIMUM STANDARD ANSI/NFPA-2003

ALL DIMENSIONS ARE FINISHED



SHAPE : ALOHA	SIZE : 18' X 34'-3"	HAND : RIGHT	PANEL HEIGHT : 3'-6"	PANEL TYPE : 5" TOP
PERIMETER : 90'-6"	VOLUME : 21,271 US GAL.	SURFACE AREA : 548.240 SQ. FT.	SCALE : N.T.S	DRAWN BY : NM-BCC
DWG # : MN1834AL-19	DATE : 12/19/2016	REVISION # : 01	KIT REF : MN1834AL-19-R	A



MEGNA
POOLS

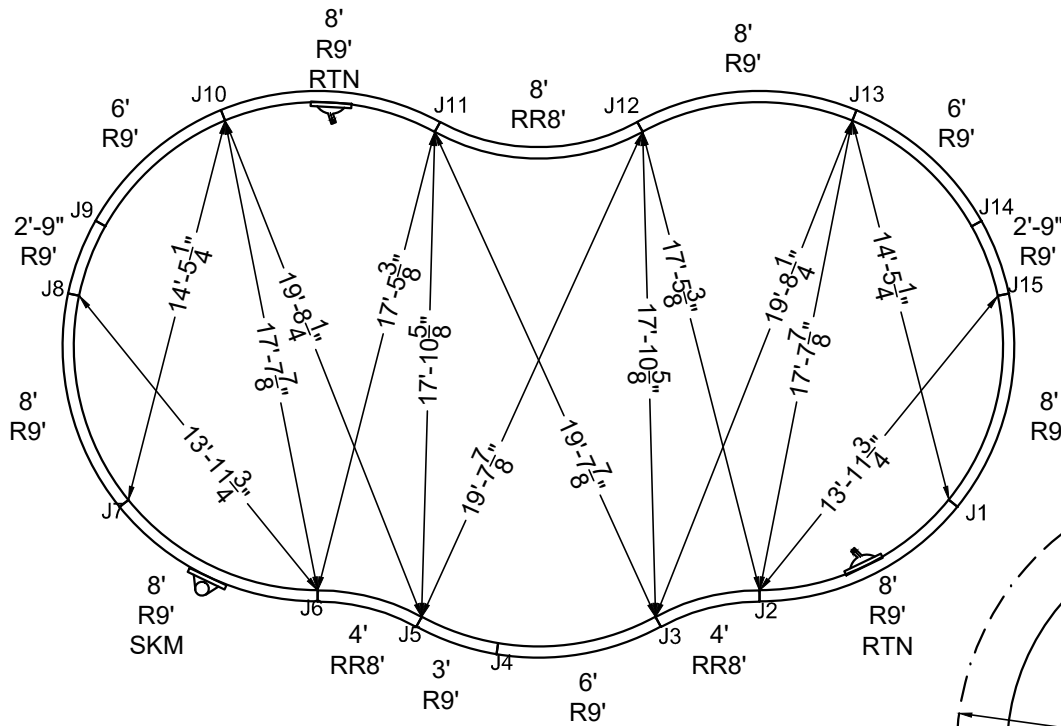
Magna Plastic Packaging Corp.

DIVING / SLIDE EQUIPMENT DISCLAIMER:

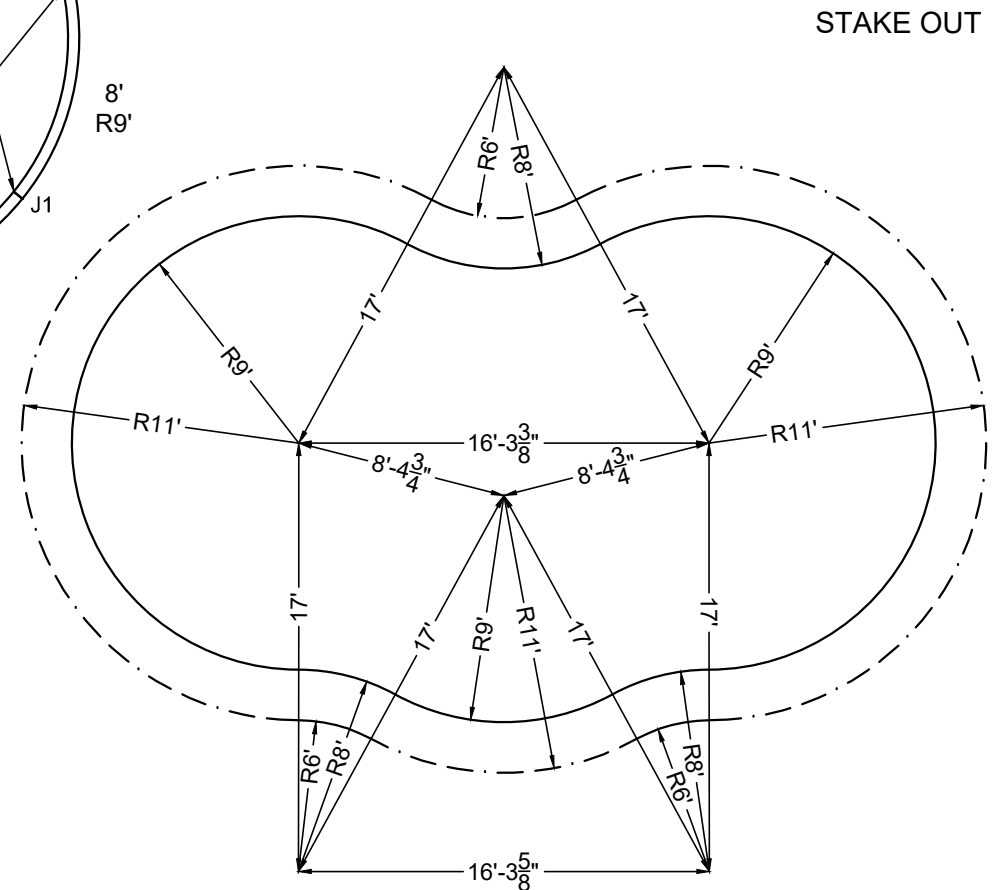
THE BOTTOM CONFIGURATION SHOWN MEETS WITH THE CURRENT ISPCSC MINIMUM STANDARDS FOR POOLS APPROVED FOR THE USE WITH MANUFACTURED DIVING EQUIPMENT. ALL DIVING EQUIPMENT MUST BE INSTALLED AND LOCATED IN ACCORDANCE WITH THE DIVING / SLIDE MANUFACTURER'S RECOMMENDATIONS. IF DIVING EQUIPMENT IS INSTALLED: PLEASE FOLLOW ALL THE DIVING / SLIDE EQUIPMENT MANUFACTURER'S INSTALLATION, USE AND SAFETY INSTRUCTIONS.

MEETS DEPTH AND SHAPE MINIMUM STANDARD ANS/NSPI5-2003

ALL DIMENSIONS ARE FINISHED



STEEL CHECK



STAKE OUT

SHAPE : ALOHA	SIZE : 18' X 34'-3"	HAND : RIGHT	PANEL HEIGHT : 3'-6"	DRAWN BY : NM-BCC
DWG # : MN1834AL-19	DATE : 12/19/2016	REVISION # : 01	KIT REF : MN1834AL-19-R	B



MEGNA
POOLS

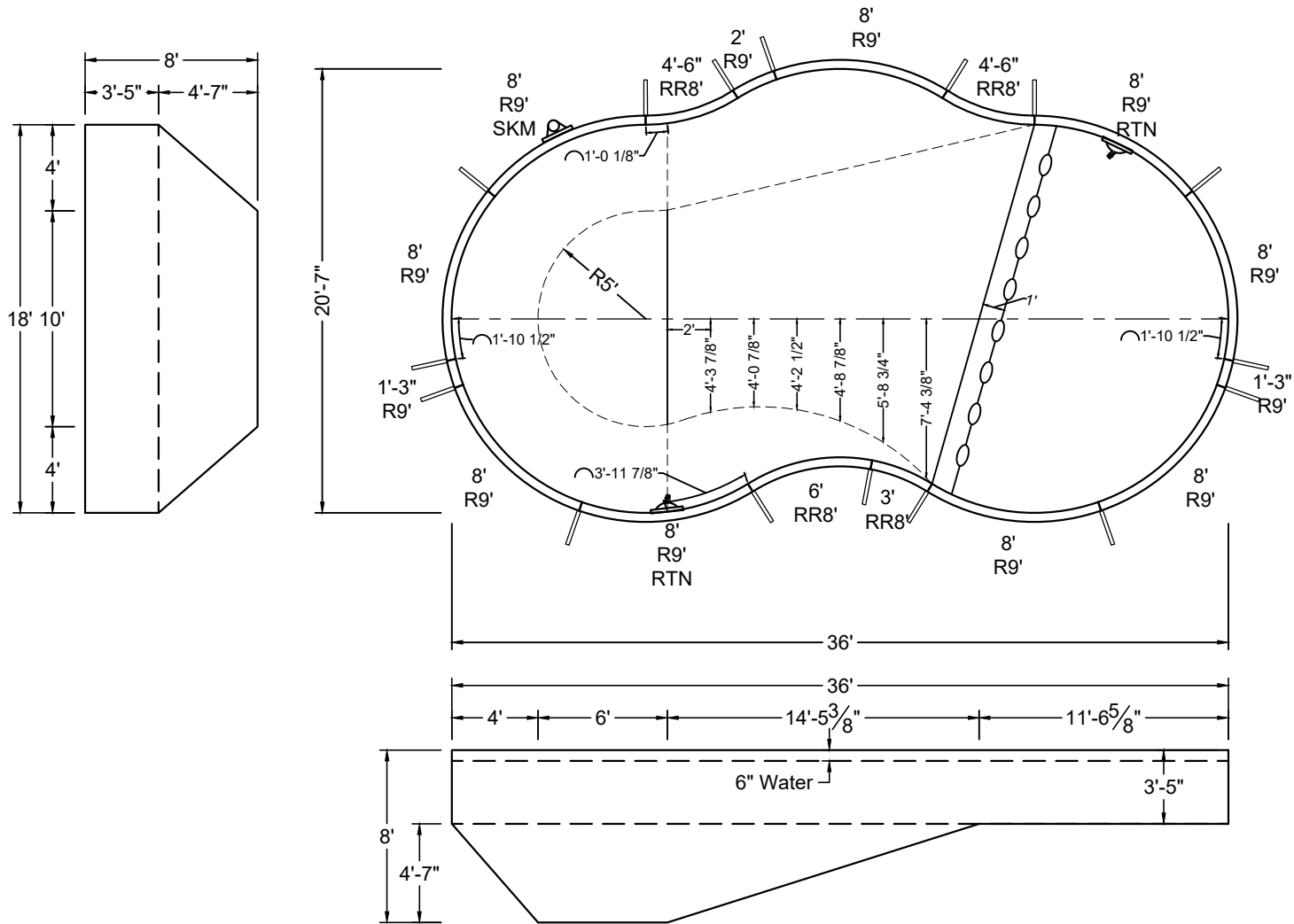
Magna Plastic Packaging Corp.

DIVING / SLIDE EQUIPMENT DISCLAIMER:

THE BOTTOM CONFIGURATION SHOWN MEETS WITH THE CURRENT ISPSC MINIMUM STANDARDS FOR POOLS APPROVED FOR THE USE WITH MANUFACTURED DIVING EQUIPMENT. ALL DIVING EQUIPMENT MUST BE INSTALLED AND LOCATED IN ACCORDANCE WITH THE DIVING / SLIDE MANUFACTURER'S RECOMMENDATIONS. IF DIVING EQUIPMENT IS INSTALLED: PLEASE FOLLOW ALL THE DIVING / SLIDE EQUIPMENT MANUFACTURER'S INSTALLATION, USE AND SAFETY INSTRUCTIONS.

MEETS DEPTH AND SHAPE MINIMUM STANDARD ANSI/NSPI5-2003

ALL DIMENSIONS ARE FINISHED



SHAPE : ALOHA	SIZE : 18' X 36'	HAND : LEFT	PANEL HEIGHT : 3'-6"	PANEL TYPE : 5" TOP
PERIMETER : 94'-6"	VOLUME : 22,132 US GAL.	SURFACE AREA : 579.603 SQ. FT.	SCALE : N.T.S	DRAWN BY : NM-BCC
DWG # : MN1836AL-19	DATE : 12/19/2016	REVISION # : 01	KIT REF : MN1836AL-19-L	A



MEGNA
POOLS

Megna Plastic Packaging Corp.

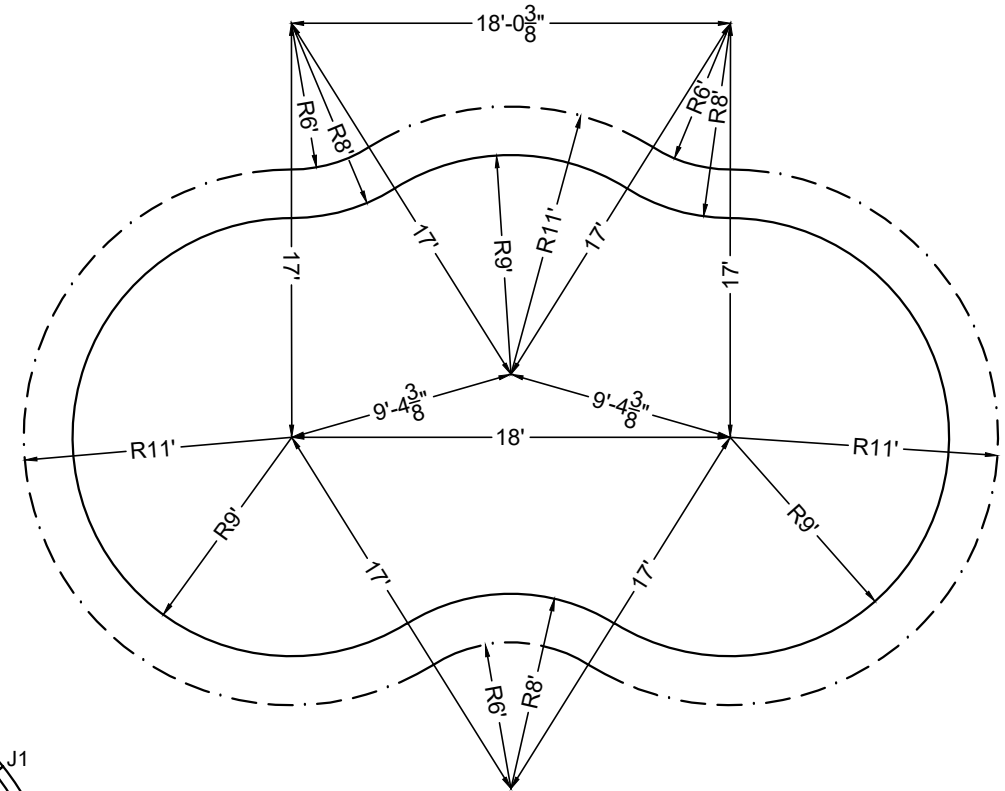
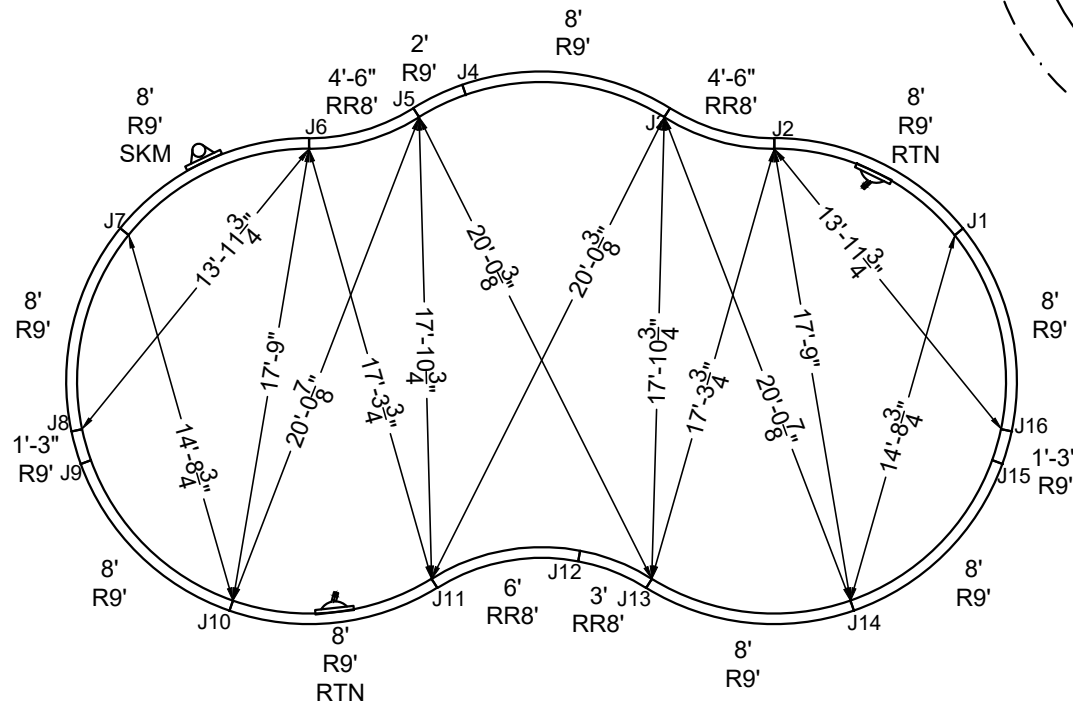
DIVING / SLIDE EQUIPMENT DISCLAIMER:

THE BOTTOM CONFIGURATION SHOWN MEETS WITH THE CURRENT ISPSC MINIMUM STANDARDS FOR POOLS APPROVED FOR THE USE WITH MANUFACTURED DIVING EQUIPMENT. ALL DIVING EQUIPMENT MUST BE INSTALLED AND LOCATED IN ACCORDANCE WITH THE DIVING / SLIDE MANUFACTURER'S RECOMMENDATIONS. IF DIVING EQUIPMENT IS INSTALLED: PLEASE FOLLOW ALL THE DIVING / SLIDE EQUIPMENT MANUFACTURER'S INSTALLATION, USE AND SAFETY INSTRUCTIONS.

MEETS DEPTH AND SHAPE MINIMUM STANDARD ANSI/NSPI5-2003

ALL DIMENSIONS ARE FINISHED

STEEL CHECK



STAKE OUT

SHAPE : ALOHA	SIZE : 18' X 36'	HAND : LEFT	PANEL HEIGHT : 3'-6"	DRAWN BY : NM-BCC
DWG # : MN1836AL-19	DATE : 12/19/2016	REVISION # : 01	KIT REF : MN1836AL-19-L	B



MEGNA
POOLS

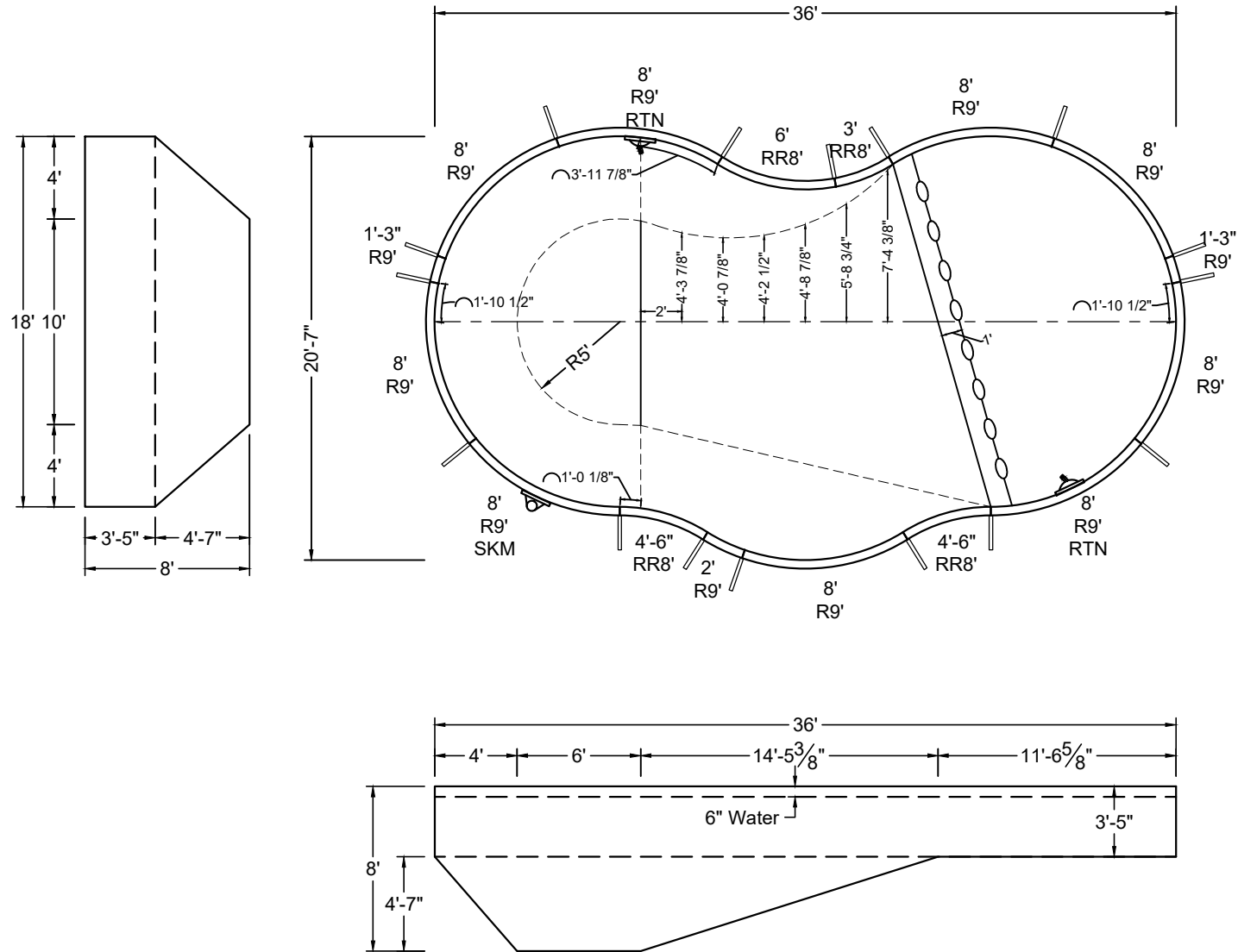
Magna Plastic Packaging Corp.

DIVING / SLIDE EQUIPMENT DISCLAIMER:

THE BOTTOM CONFIGURATION SHOWN MEETS WITH THE CURRENT ISPSC MINIMUM STANDARDS FOR POOLS APPROVED FOR THE USE WITH MANUFACTURED DIVING EQUIPMENT. ALL DIVING EQUIPMENT MUST BE INSTALLED AND LOCATED IN ACCORDANCE WITH THE DIVING / SLIDE MANUFACTURER'S RECOMMENDATIONS. IF DIVING EQUIPMENT IS INSTALLED: PLEASE FOLLOW ALL THE DIVING / SLIDE EQUIPMENT MANUFACTURER'S INSTALLATION, USE AND SAFETY INSTRUCTIONS.

MEETS DEPTH AND SHAPE MINIMUM STANDARD ANSI/NSP15-2003

ALL DIMENSIONS ARE FINISHED



SHAPE : ALOHA	SIZE : 18' X 36'	HAND : RIGHT	PANEL HEIGHT : 3'-6"	PANEL TYPE : 5" TOP
PERIMETER : 94'-6"	VOLUME : 22,132 US GAL.	SURFACE AREA : 579.603 SQ. FT.	SCALE : N.T.S	DRAWN BY : NM-BCC
DWG # : MN1836AL-19	DATE : 12/19/2016	REVISION # : 01	KIT REF : MN1836AL-19-R	A



MEGNA
POOLS

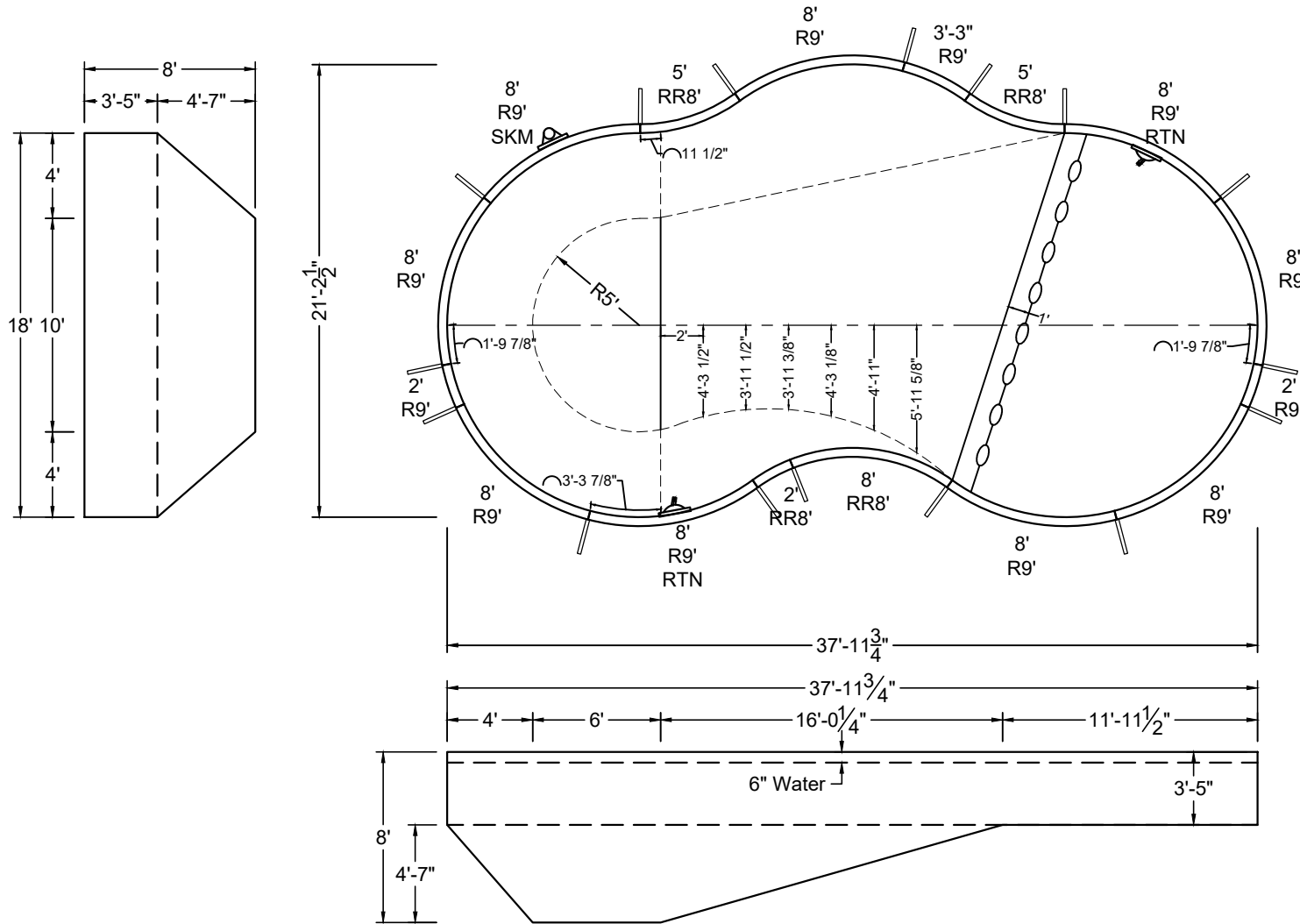
Magna Plastic Packaging Corp.

DIVING / SLIDE EQUIPMENT DISCLAIMER:

THE BOTTOM CONFIGURATION SHOWN MEETS WITH THE CURRENT ISPSC MINIMUM STANDARDS FOR POOLS APPROVED FOR THE USE WITH MANUFACTURED DIVING EQUIPMENT. ALL DIVING EQUIPMENT MUST BE INSTALLED AND LOCATED IN ACCORDANCE WITH THE DIVING / SLIDE MANUFACTURER'S RECOMMENDATIONS. IF DIVING EQUIPMENT IS INSTALLED: PLEASE FOLLOW ALL THE DIVING / SLIDE EQUIPMENT MANUFACTURER'S INSTALLATION, USE AND SAFETY INSTRUCTIONS.

MEETS DEPTH AND SHAPE MINIMUM STANDARD ANSI/NSPI5-2003

ALL DIMENSIONS ARE FINISHED



SHAPE : ALOHA	SIZE : 18' X 38'	HAND : LEFT	PANEL HEIGHT : 3'-6"	PANEL TYPE : 5" TOP
PERIMETER : 99'-3"	VOLUME : 23,353 US GAL.	SURFACE AREA : 615.063 SQ. FT.	SCALE : N.T.S	DRAWN BY : NM-BCC
DWG # : MN1838AL-19	DATE : 12/19/2016	REVISION # : 01	KIT REF : MN1838AL-19-L	A



MEGNA
POOLS

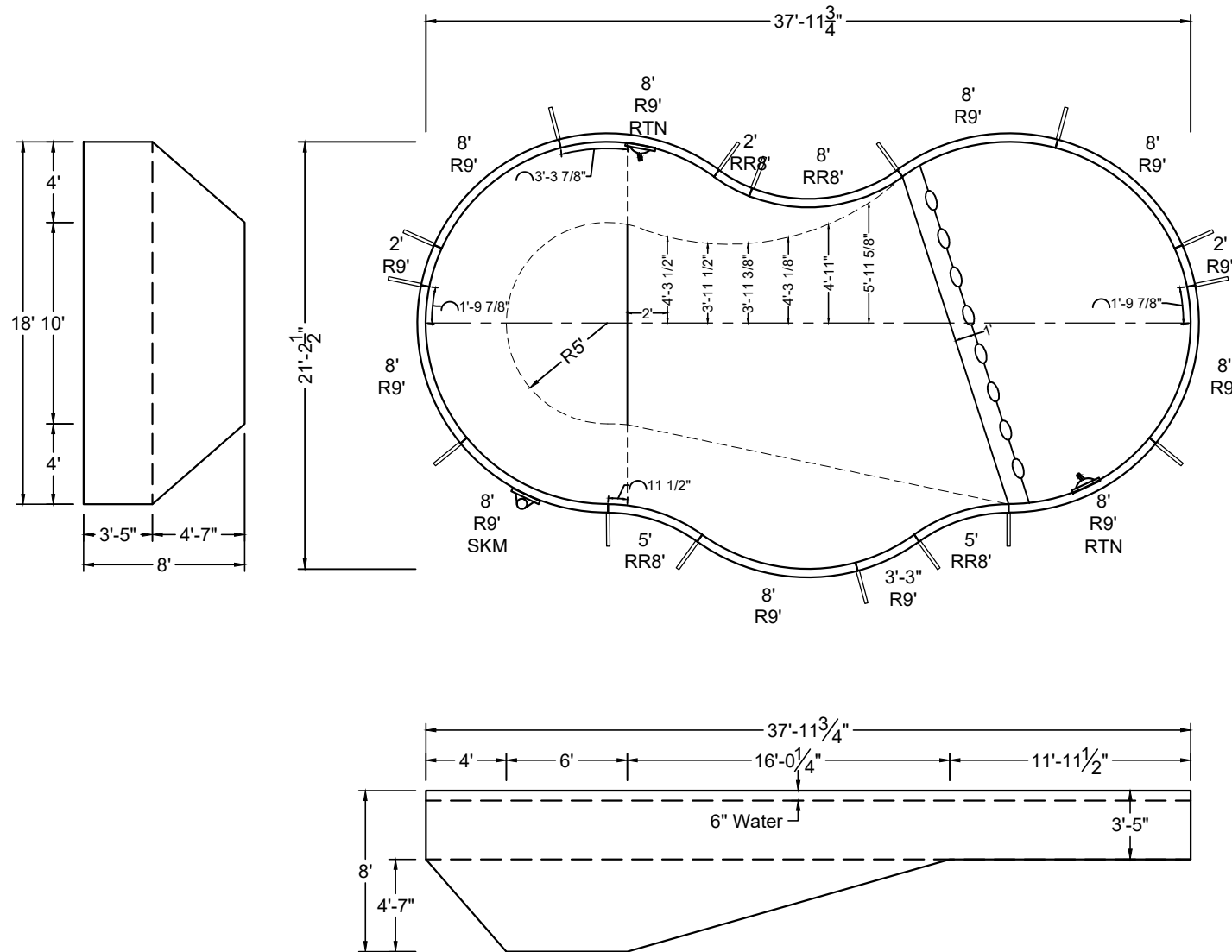
Magna Plastic Packaging Corp.

DIVING / SLIDE EQUIPMENT DISCLAIMER:

THE BOTTOM CONFIGURATION SHOWN MEETS WITH THE CURRENT ISPSC MINIMUM STANDARDS FOR POOLS APPROVED FOR THE USE WITH MANUFACTURED DIVING EQUIPMENT. ALL DIVING EQUIPMENT MUST BE INSTALLED AND LOCATED IN ACCORDANCE WITH THE DIVING / SLIDE MANUFACTURER'S RECOMMENDATIONS. IF DIVING EQUIPMENT IS INSTALLED: PLEASE FOLLOW ALL THE DIVING / SLIDE EQUIPMENT MANUFACTURER'S INSTALLATION, USE AND SAFETY INSTRUCTIONS.

MEETS DEPTH AND SHAPE MINIMUM STANDARD ANSI/NSPI5-2003

ALL DIMENSIONS ARE FINISHED



SHAPE : ALOHA	SIZE : 18' X 38'	HAND : RIGHT	PANEL HEIGHT : 3'-6"	PANEL TYPE : 5" TOP
PERIMETER : 99'-3"	VOLUME : 23,353 US GAL.	SURFACE AREA : 615.063 SQ. FT.	SCALE : N.T.S	DRAWN BY : NM-BCC
DWG # : MN1838AL-19	DATE : 12/19/2016	REVISION # : 01	KIT REF : MN1838AL-19-R	A



MEGNA POOLS

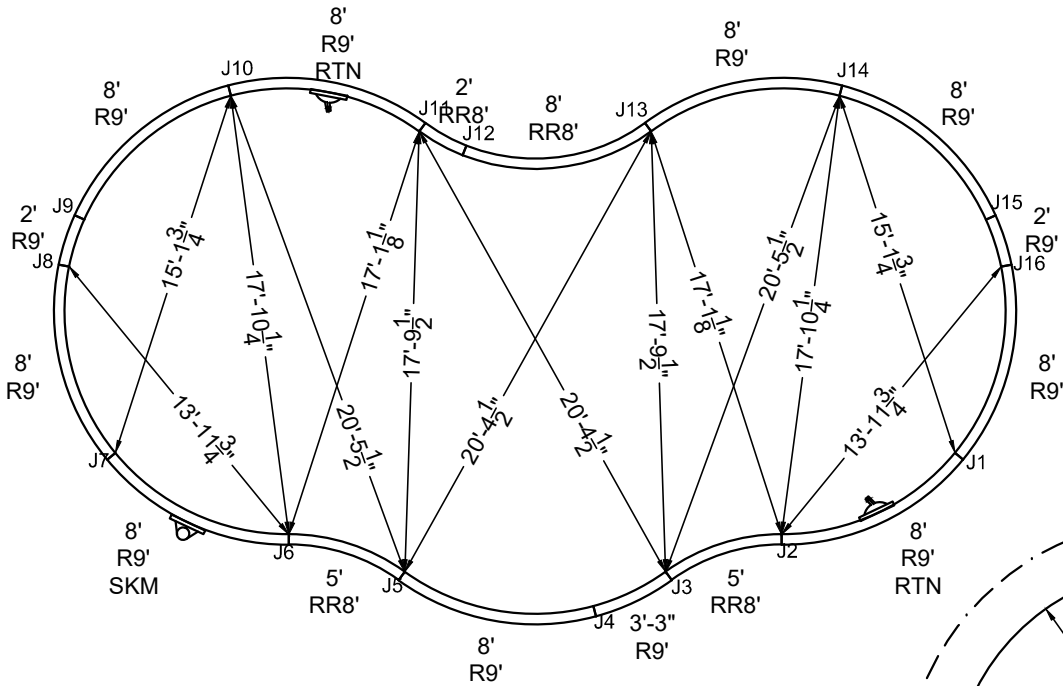
Magna Plastic Packaging Corp.

DIVING / SLIDE EQUIPMENT DISCLAIMER:

THE BOTTOM CONFIGURATION SHOWN MEETS WITH THE CURRENT ISPSM MINIMUM STANDARDS FOR POOLS APPROVED FOR THE USE WITH MANUFACTURED DIVING EQUIPMENT. ALL DIVING EQUIPMENT MUST BE INSTALLED AND LOCATED IN ACCORDANCE WITH THE DIVING / SLIDE MANUFACTURER'S RECOMMENDATIONS. IF DIVING EQUIPMENT IS INSTALLED: PLEASE FOLLOW ALL THE DIVING / SLIDE EQUIPMENT MANUFACTURER'S INSTALLATION, USE AND SAFETY INSTRUCTIONS.

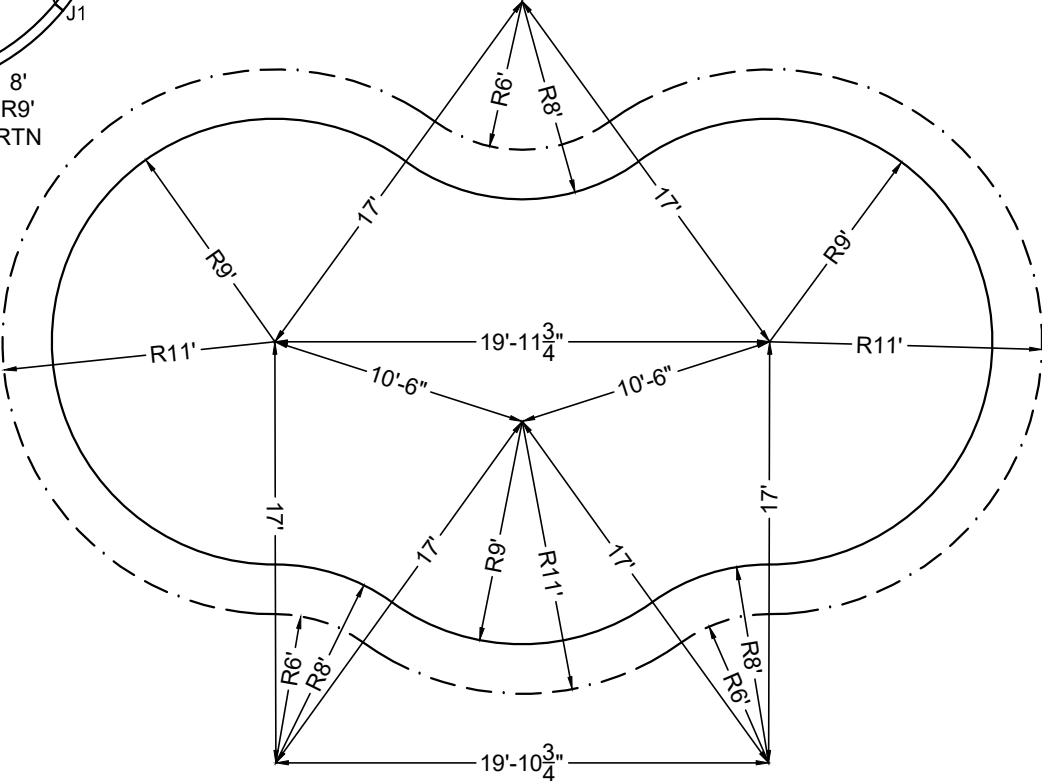
MEETS DEPTH AND SHAPE MINIMUM STANDARD ANSI/NFPA-2003

ALL DIMENSIONS ARE FINISHED



STEEL CHECK

STAKE OUT



SHAPE : ALOHA	SIZE : 18' X 38'	HAND : RIGHT	PANEL HEIGHT : 3'-6"	DRAWN BY : NM-BCC
DWG # : MN1838AL-19	DATE : 12/19/2016	REVISION # : 01	KIT REF : MN1838AL-19-R	B



**MEGNA
POOLS**

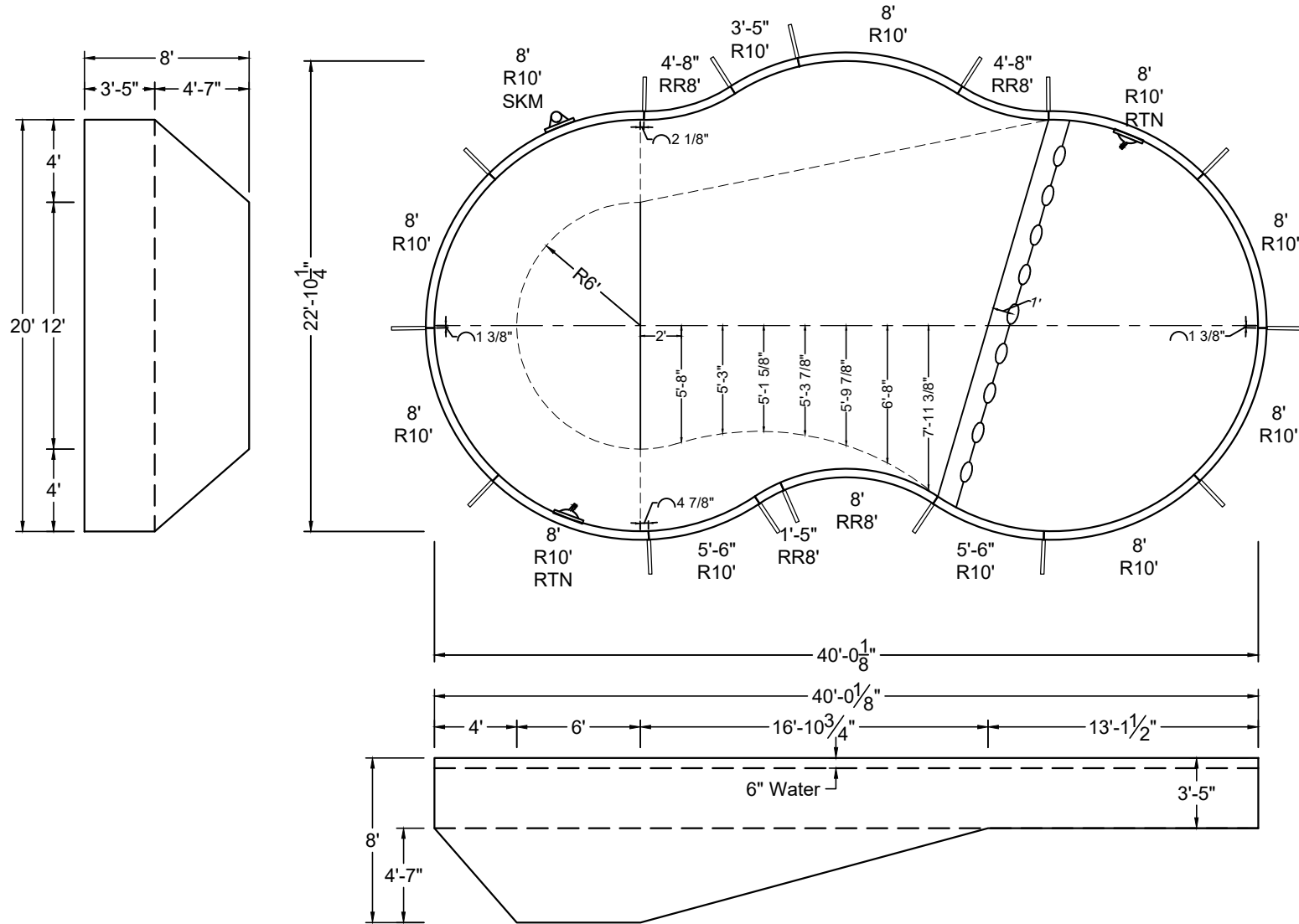
Magna Plastic Packaging Corp.

DIVING / SLIDE EQUIPMENT DISCLAIMER:

THE BOTTOM CONFIGURATION SHOWN MEETS WITH THE CURRENT ISPC MINIMUM STANDARDS FOR POOLS APPROVED FOR THE USE WITH MANUFACTURED DIVING EQUIPMENT. ALL DIVING EQUIPMENT MUST BE INSTALLED AND LOCATED IN ACCORDANCE WITH THE DIVING / SLIDE MANUFACTURER'S RECOMMENDATIONS. IF DIVING EQUIPMENT IS INSTALLED: PLEASE FOLLOW ALL THE DIVING / SLIDE EQUIPMENT MANUFACTURER'S INSTALLATION, USE AND SAFETY INSTRUCTIONS.

MEETS DEPTH AND SHAPE MINIMUM STANDARD ANSI/NSPI5-2003

ALL DIMENSIONS ARE FINISHED



SHAPE : ALOHA	SIZE : 20' X 40'	HAND : LEFT	PANEL HEIGHT : 3'-6"	PANEL TYPE : 5" TOP
PERIMETER : 105'-2"	VOLUME : 27,189 US GAL.	SURFACE AREA : 714.061 SQ. FT.	SCALE : N.T.S	DRAWN BY : NM-BCC
DWG # : MN2040AL-19	DATE : 12/19/2016	REVISION # : 01	KIT REF : MN2040AL-19-L	A



MEGNA
POOLS

Magna Plastic Packaging Corp.

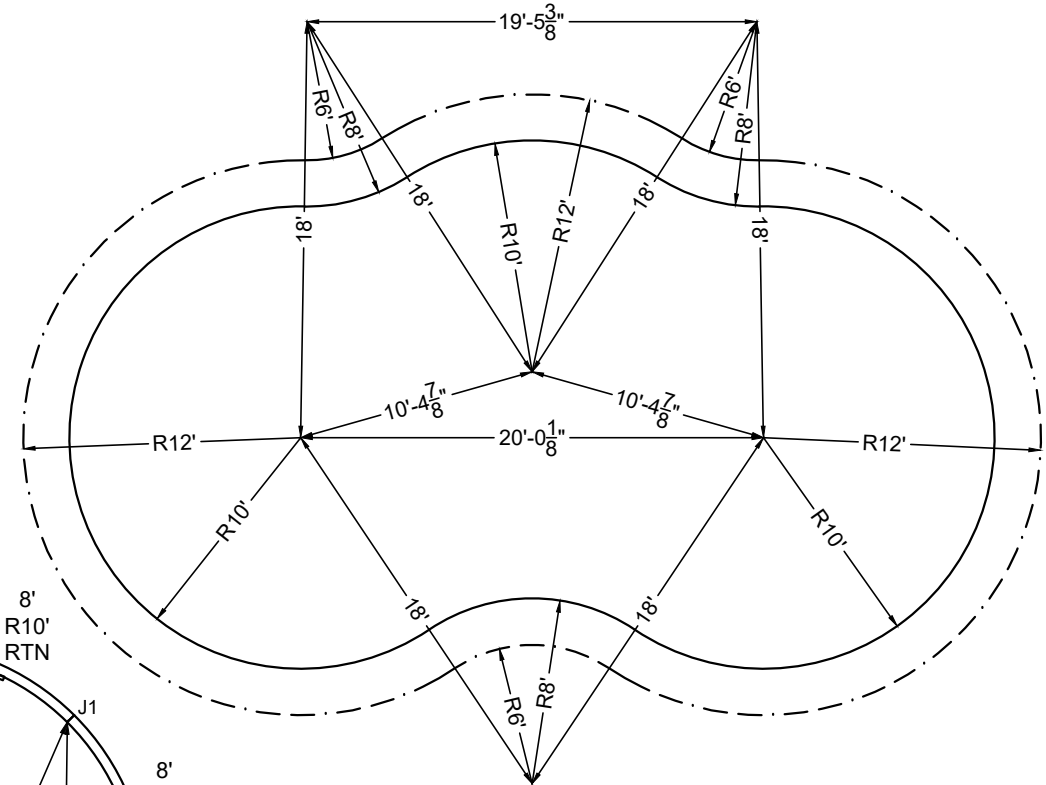
DIVING / SLIDE EQUIPMENT DISCLAIMER:

THE BOTTOM CONFIGURATION SHOWN MEETS WITH THE CURRENT ISPSC MINIMUM STANDARDS FOR POOLS APPROVED FOR THE USE WITH MANUFACTURED DIVING EQUIPMENT. ALL DIVING EQUIPMENT MUST BE INSTALLED AND LOCATED IN ACCORDANCE WITH THE DIVING / SLIDE MANUFACTURER'S RECOMMENDATIONS. IF DIVING EQUIPMENT IS INSTALLED: PLEASE FOLLOW ALL THE DIVING / SLIDE EQUIPMENT MANUFACTURER'S INSTALLATION, USE AND SAFETY INSTRUCTIONS.

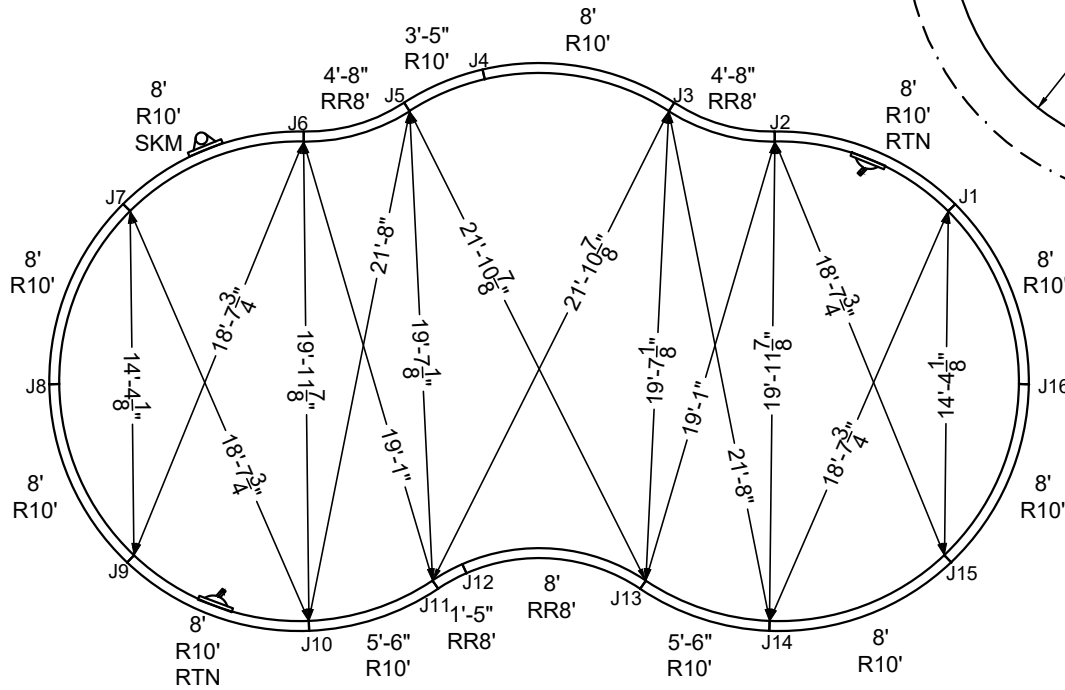
MEETS DEPTH AND SHAPE MINIMUM STANDARD ANSI/NSPI5-2003

ALL DIMENSIONS ARE FINISHED

STEEL CHECK



STAKE OUT



SHAPE : ALOHA	SIZE : 20' X 40'	HAND : LEFT	PANEL HEIGHT : 3'-6"	DRAWN BY : NM-BCC
DWG # : MN2040AL-19	DATE : 12/19/2016	REVISION # : 01	KIT REF : MN2040AL-19-L	B



MEGNA
POOLS

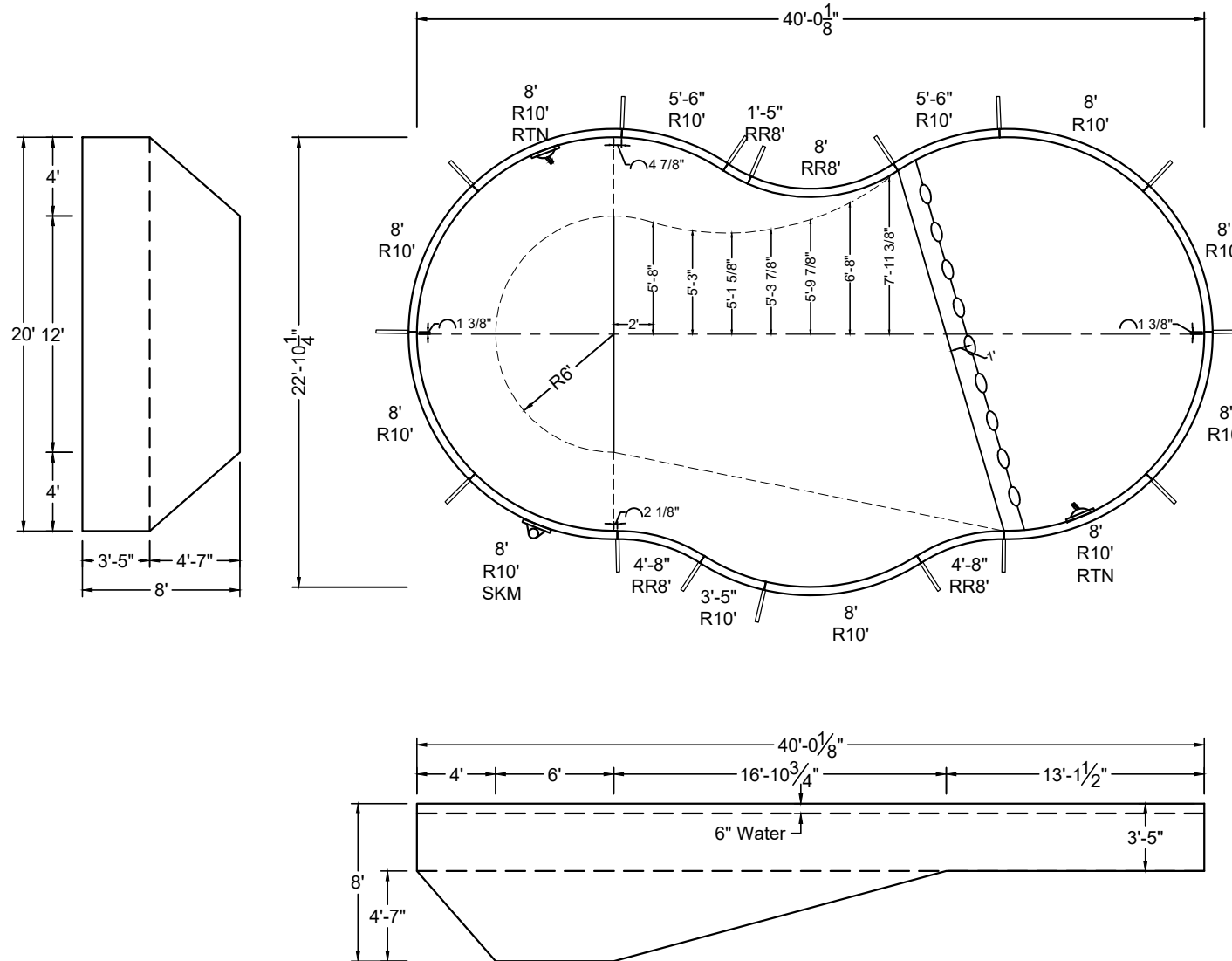
Megna Plastic Packaging Corp.

DIVING / SLIDE EQUIPMENT DISCLAIMER:

THE BOTTOM CONFIGURATION SHOWN MEETS WITH THE CURRENT ISPSM MINIMUM STANDARDS FOR POOLS APPROVED FOR THE USE WITH MANUFACTURED DIVING EQUIPMENT. ALL DIVING EQUIPMENT MUST BE INSTALLED AND LOCATED IN ACCORDANCE WITH THE DIVING / SLIDE MANUFACTURER'S RECOMMENDATIONS. IF DIVING EQUIPMENT IS INSTALLED: PLEASE FOLLOW ALL THE DIVING / SLIDE EQUIPMENT MANUFACTURER'S INSTALLATION, USE AND SAFETY INSTRUCTIONS.

MEETS DEPTH AND SHAPE MINIMUM STANDARD ANSI/NFPA-2003

ALL DIMENSIONS ARE FINISHED



SHAPE : ALOHA	SIZE : 20' X 40'	HAND : RIGHT	PANEL HEIGHT : 3'-6"	PANEL TYPE : 5" TOP
PERIMETER : 105'-2"	VOLUME : 27,189 US GAL.	SURFACE AREA : 714.061 SQ. FT.	SCALE : N.T.S	DRAWN BY : NM-BCC
DWG # : MN2040AL-19	DATE : 12/19/2016	REVISION # : 01	KIT REF : MN2040AL-19-R	A



**MEGNA
POOLS**

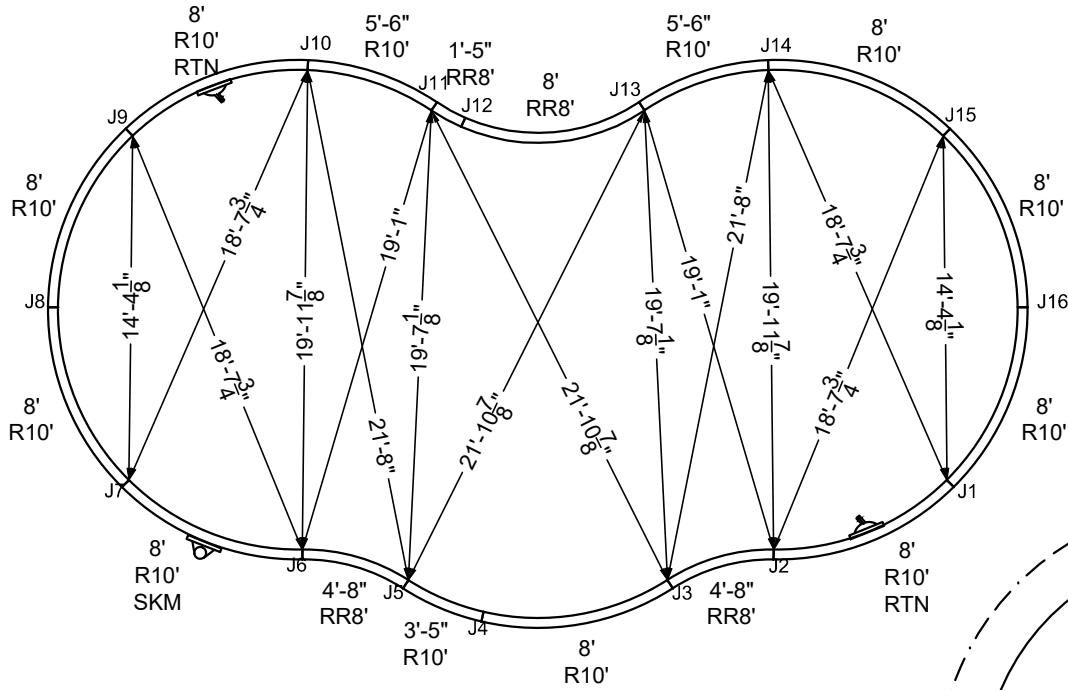
Megna Plastic Packaging Corp.

DIVING / SLIDE EQUIPMENT DISCLAIMER:

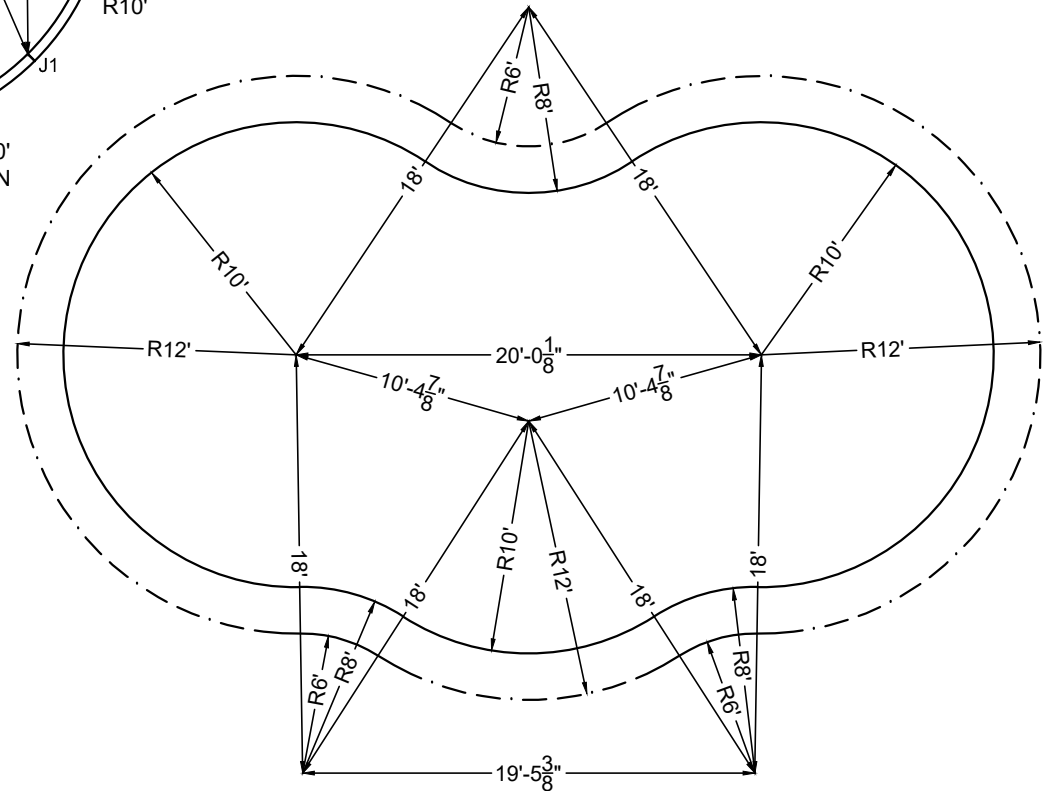
THE BOTTOM CONFIGURATION SHOWN MEETS WITH THE CURRENT ISPSC MINIMUM STANDARDS FOR POOLS APPROVED FOR THE USE WITH MANUFACTURED DIVING EQUIPMENT. ALL DIVING EQUIPMENT MUST BE INSTALLED AND LOCATED IN ACCORDANCE WITH THE DIVING / SLIDE MANUFACTURER'S RECOMMENDATIONS. IF DIVING EQUIPMENT IS INSTALLED: PLEASE FOLLOW ALL THE DIVING / SLIDE EQUIPMENT MANUFACTURER'S INSTALLATION, USE AND SAFETY INSTRUCTIONS.

MEETS DEPTH AND SHAPE MINIMUM STANDARD ANS/NSPI5-2003

ALL DIMENSIONS ARE FINISHED



STAKE OUT



STEEL CHECK

SHAPE : ALOHA	SIZE : 20' X 40'	HAND : RIGHT	PANEL HEIGHT : 3'-6"	DRAWN BY : NM-BCC
DWG # : MN2040AL-19	DATE : 12/19/2016	REVISION # : 01	KIT REF : MN2040AL-19-R	B



MEGNA
POOLS

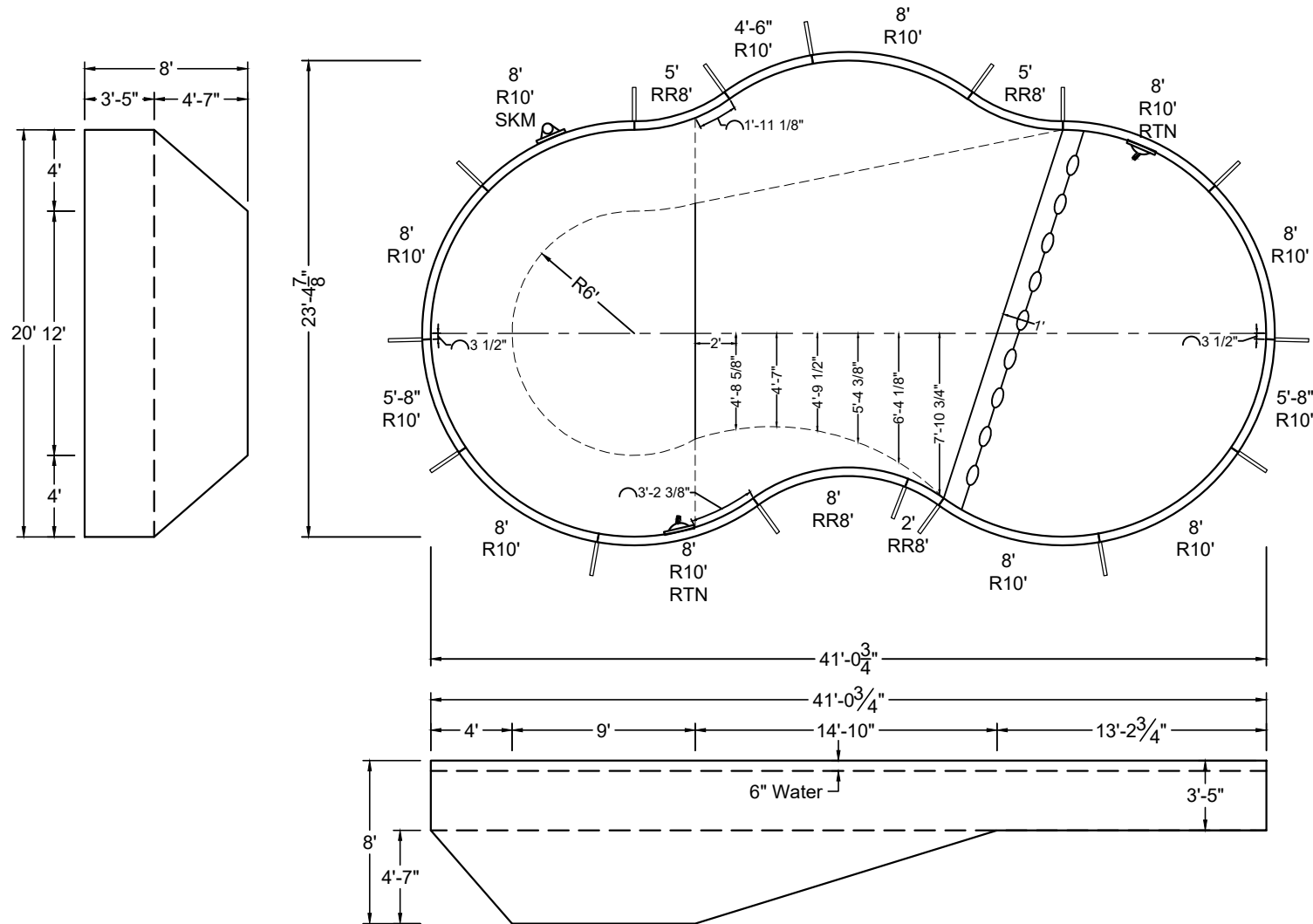
Magna Plastic Packaging Corp.

DIVING / SLIDE EQUIPMENT DISCLAIMER:

THE BOTTOM CONFIGURATION SHOWN MEETS WITH THE CURRENT ISPSC MINIMUM STANDARDS FOR POOLS APPROVED FOR THE USE WITH MANUFACTURED DIVING EQUIPMENT. ALL DIVING EQUIPMENT MUST BE INSTALLED AND LOCATED IN ACCORDANCE WITH THE DIVING / SLIDE MANUFACTURER'S RECOMMENDATIONS. IF DIVING EQUIPMENT IS INSTALLED: PLEASE FOLLOW ALL THE DIVING / SLIDE EQUIPMENT MANUFACTURER'S INSTALLATION, USE AND SAFETY INSTRUCTIONS.

MEETS DEPTH AND SHAPE MINIMUM STANDARD ANSI/NSP15-2003

ALL DIMENSIONS ARE FINISHED



SHAPE : ALOHA	SIZE : 20' X 41'-1"	HAND : LEFT	PANEL HEIGHT : 3'-6"	PANEL TYPE : 5" TOP
PERIMETER : 107'-9 31/32"	VOLUME : 28,758 US GAL.	SURFACE AREA : 738.302 SQ. FT.	SCALE : N.T.S	DRAWN BY : NM-BCC
DWG # : MN2041AL-19	DATE : 12/19/2016	REVISION # : 01	KIT REF : MN2041AL-19-L	A



MEGNA
POOLS

Magna Plastic Packaging Corp.

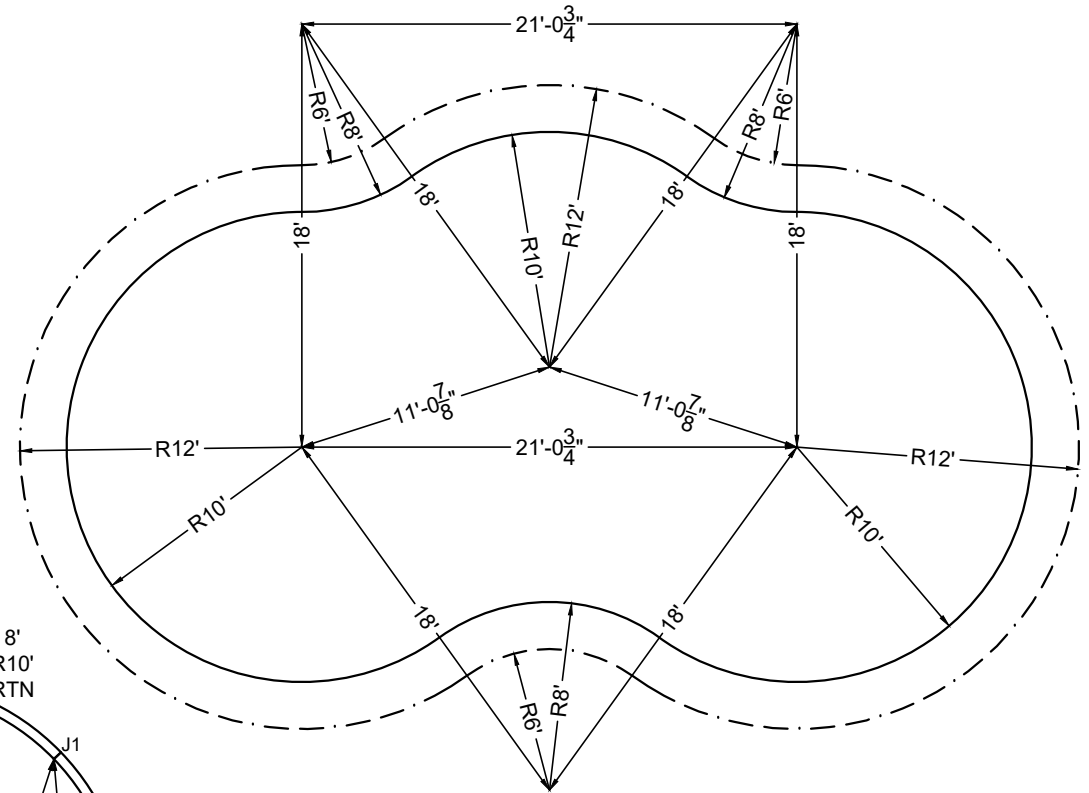
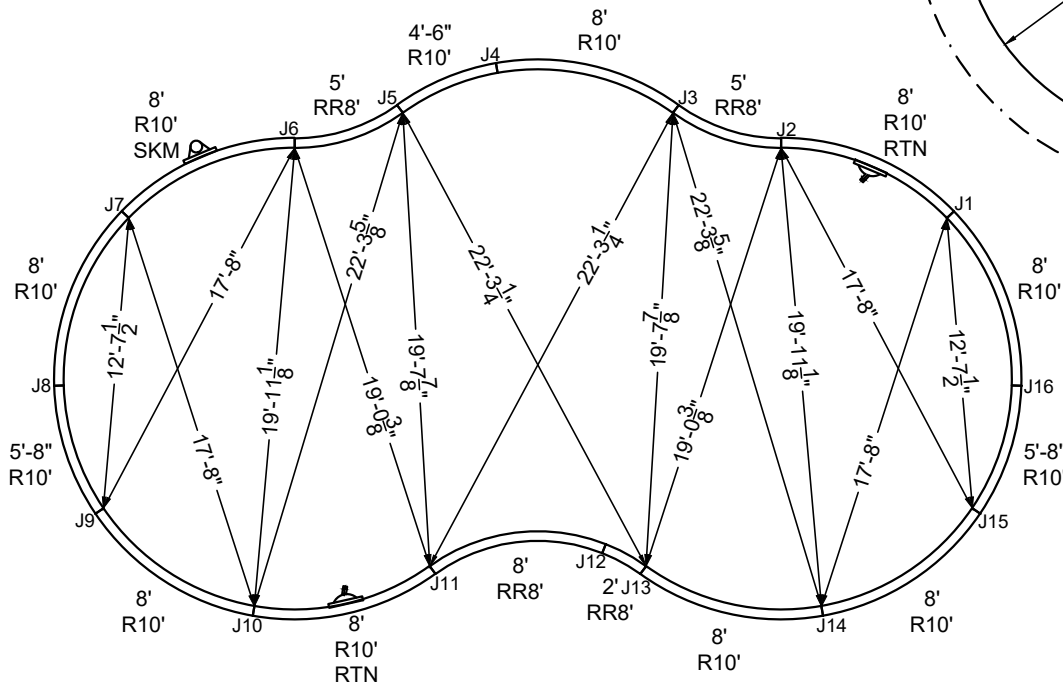
DIVING / SLIDE EQUIPMENT DISCLAIMER:

THE BOTTOM CONFIGURATION SHOWN MEETS WITH THE CURRENT ISPSC MINIMUM STANDARDS FOR POOLS APPROVED FOR THE USE WITH MANUFACTURED DIVING EQUIPMENT. ALL DIVING EQUIPMENT MUST BE INSTALLED AND LOCATED IN ACCORDANCE WITH THE DIVING / SLIDE MANUFACTURER'S RECOMMENDATIONS. IF DIVING EQUIPMENT IS INSTALLED: PLEASE FOLLOW ALL THE DIVING / SLIDE EQUIPMENT MANUFACTURER'S INSTALLATION, USE AND SAFETY INSTRUCTIONS.

MEETS DEPTH AND SHAPE MINIMUM STANDARD ANSI/NFPA-2003

ALL DIMENSIONS ARE FINISHED

STEEL CHECK



STAKE OUT

SHAPE : ALOHA	SIZE : 20' X 41'-1"	HAND : LEFT	PANEL HEIGHT : 3'-6"	DRAWN BY : NM-BCC
DWG # : MN2041AL-19	DATE : 12/19/2016	REVISION # : 01	KIT REF : MN2041AL-19-L	B



MEGNA
POOLS

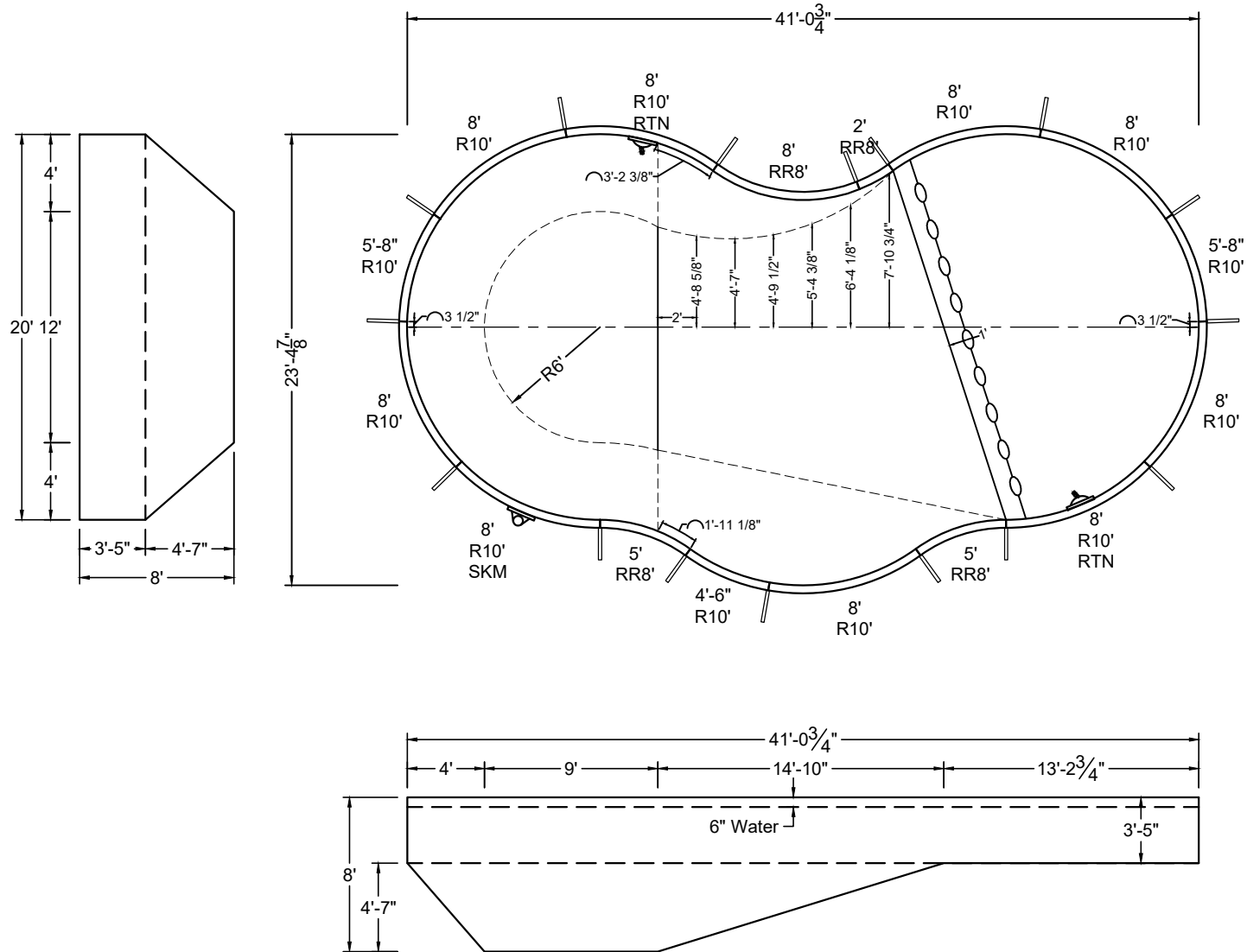
Magna Plastic Packaging Corp.

DIVING / SLIDE EQUIPMENT DISCLAIMER:

THE BOTTOM CONFIGURATION SHOWN MEETS WITH THE CURRENT ISPCSC MINIMUM STANDARDS FOR POOLS APPROVED FOR THE USE WITH MANUFACTURED DIVING EQUIPMENT. ALL DIVING EQUIPMENT MUST BE INSTALLED AND LOCATED IN ACCORDANCE WITH THE DIVING / SLIDE MANUFACTURER'S RECOMMENDATIONS. IF DIVING EQUIPMENT IS INSTALLED: PLEASE FOLLOW ALL THE DIVING / SLIDE EQUIPMENT MANUFACTURER'S INSTALLATION, USE AND SAFETY INSTRUCTIONS.

MEETS DEPTH AND SHAPE MINIMUM STANDARD ANSI/NSPI5-2003

ALL DIMENSIONS ARE FINISHED



SHAPE : ALOHA	SIZE : 20' X 41'-1"	HAND : RIGHT	PANEL HEIGHT : 3'-6"	PANEL TYPE : 5" TOP
PERIMETER : 107'-9 31/32"	VOLUME : 28,758 US GAL.	SURFACE AREA : 738.302 SQ. FT.	SCALE : N.T.S	DRAWN BY : NM-BCC
DWG # : MN2041AL-19	DATE : 12/19/2016	REVISION # : 01	KIT REF : MN2041AL-19-R	A



MEGNA
POOLS

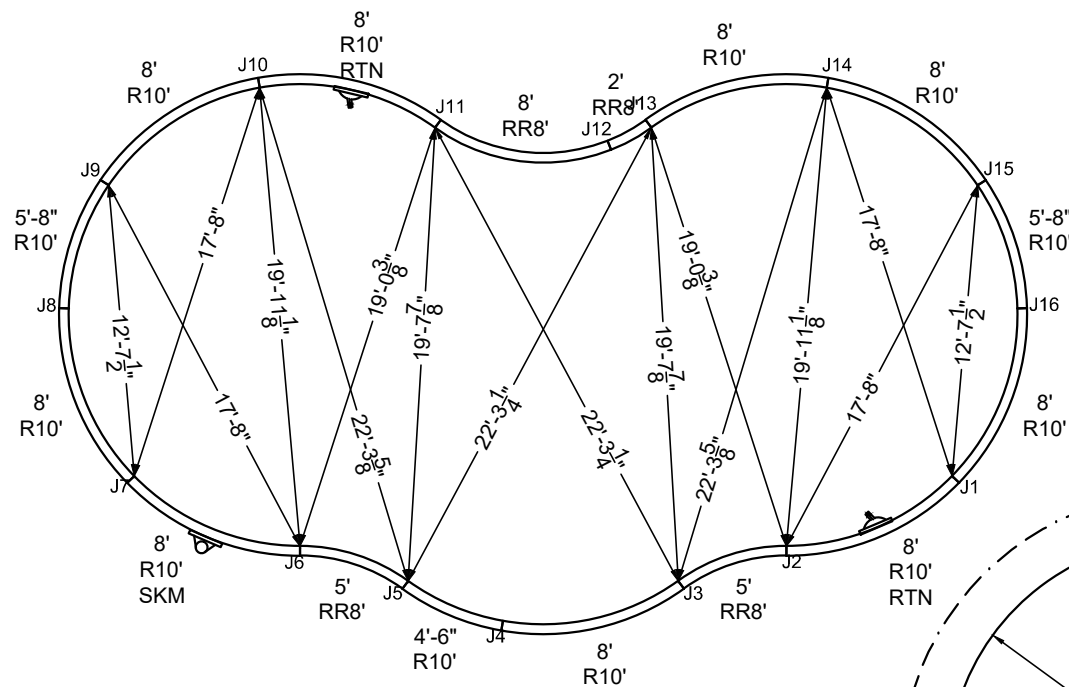
Magna Plastic Packaging Corp.

DIVING / SLIDE EQUIPMENT DISCLAIMER:

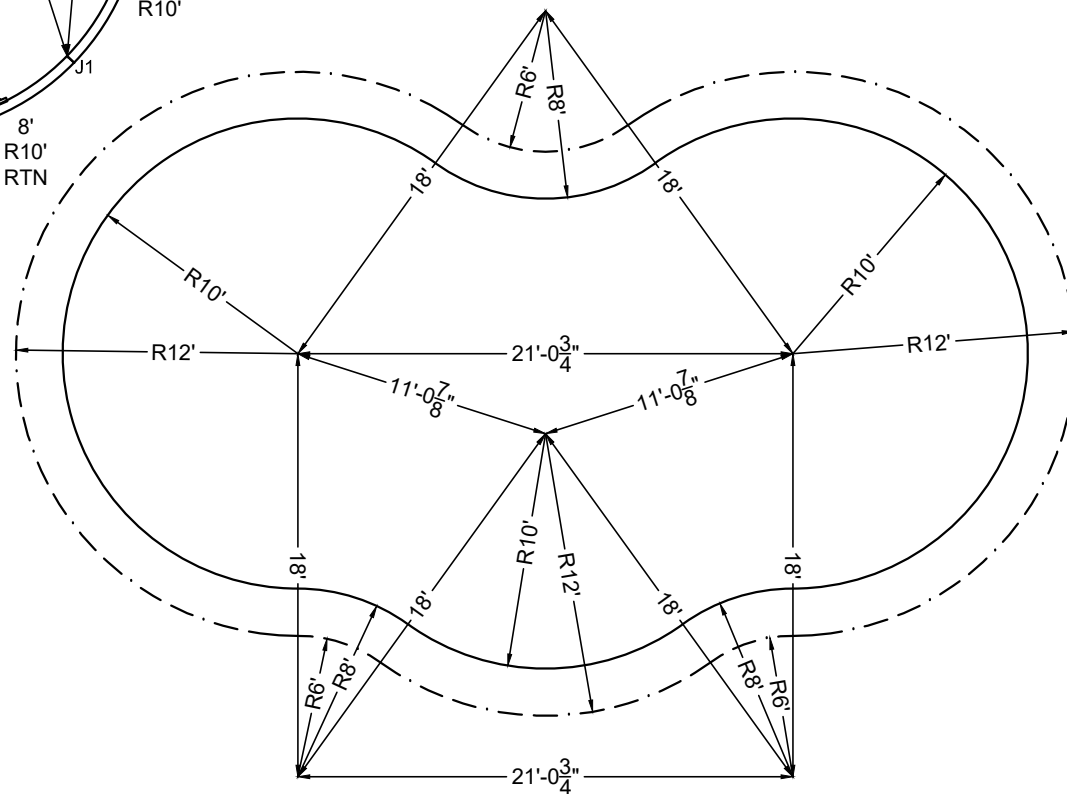
THE BOTTOM CONFIGURATION SHOWN MEETS WITH THE CURRENT ISPSM MINIMUM STANDARDS FOR POOLS APPROVED FOR THE USE WITH MANUFACTURED DIVING EQUIPMENT. ALL DIVING EQUIPMENT MUST BE INSTALLED AND LOCATED IN ACCORDANCE WITH THE DIVING / SLIDE MANUFACTURER'S RECOMMENDATIONS. IF DIVING EQUIPMENT IS INSTALLED: PLEASE FOLLOW ALL THE DIVING / SLIDE EQUIPMENT MANUFACTURER'S INSTALLATION, USE AND SAFETY INSTRUCTIONS.

MEETS DEPTH AND SHAPE MINIMUM STANDARD ANSI/NFPA-2003

ALL DIMENSIONS ARE FINISHED



STEEL CHECK



STAKE OUT

SHAPE : ALOHA

SIZE : 20' X 41'-1"

HAND : RIGHT

PANEL HEIGHT : 3'-6"

DRAWN BY : NM-BCC

DWG # : MN2041AL-19

DATE : 12/19/2016

REVISION # : 01

KIT REF : MN2041AL-19-R

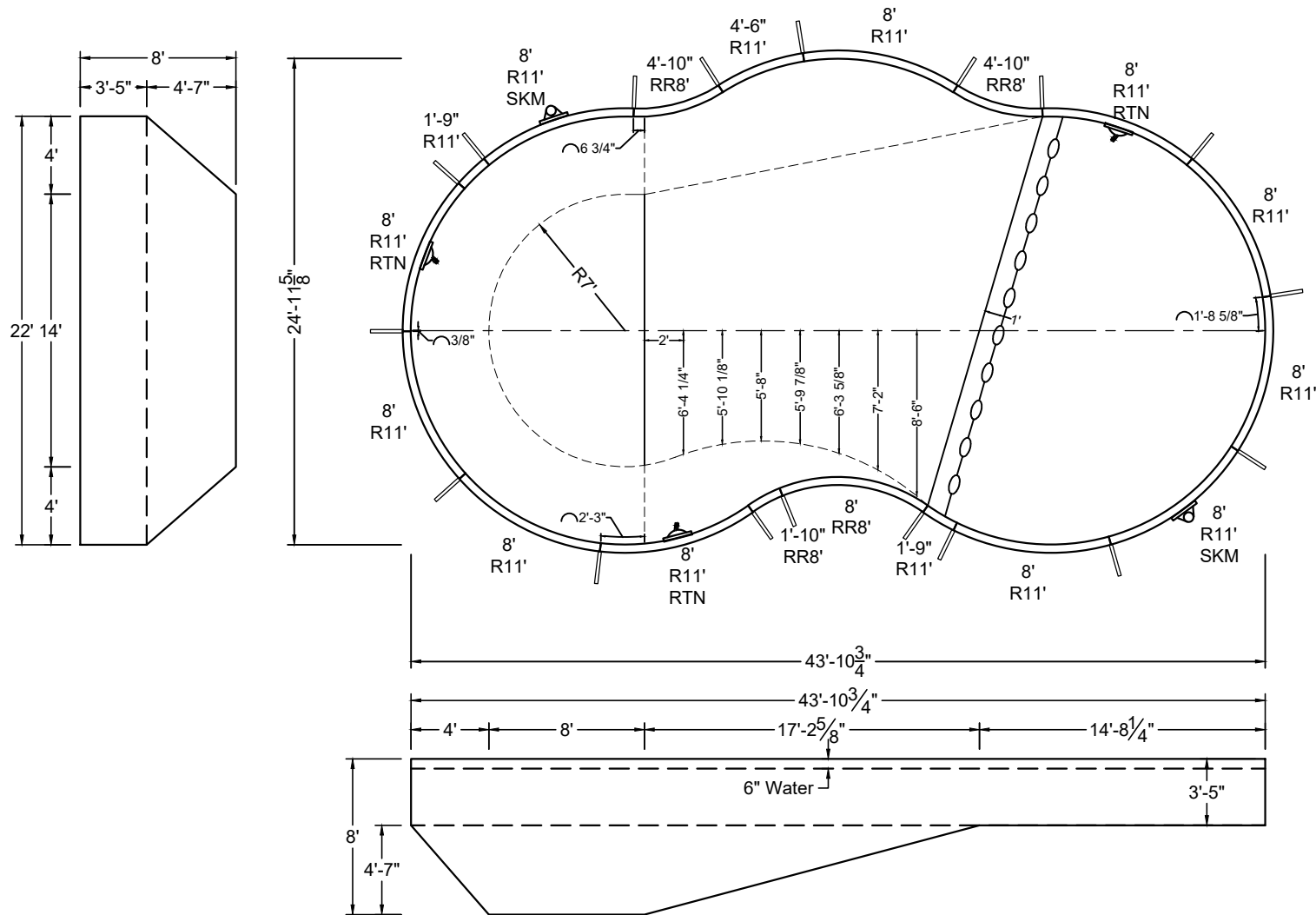
B

DIVING / SLIDE EQUIPMENT DISCLAIMER:

THE BOTTOM CONFIGURATION SHOWN MEETS WITH THE CURRENT ISPC MINIMUM STANDARDS FOR POOLS APPROVED FOR THE USE WITH MANUFACTURED DIVING EQUIPMENT. ALL DIVING EQUIPMENT MUST BE INSTALLED AND LOCATED IN ACCORDANCE WITH THE DIVING / SLIDE MANUFACTURER'S RECOMMENDATIONS. IF DIVING EQUIPMENT IS INSTALLED: PLEASE FOLLOW ALL THE DIVING / SLIDE EQUIPMENT MANUFACTURER'S INSTALLATION, USE AND SAFETY INSTRUCTIONS.

MEETS DEPTH AND SHAPE MINIMUM STANDARD ANSI/NSPI5-2003

ALL DIMENSIONS ARE FINISHED



SHAPE : ALOHA	SIZE : 22' X 43'-11"	HAND : LEFT	PANEL HEIGHT : 3'-6"	PANEL TYPE : 5" TOP
PERIMETER : 115'-6"	VOLUME : 33,154 US GAL.	SURFACE AREA : 858.019 SQ. FT.	SCALE : N.T.S	DRAWN BY : NM-BCC
DWG # : MN2244AL-19	DATE : 12/19/2016	REVISION # : 01	KIT REF : MN2244AL-19-L	A

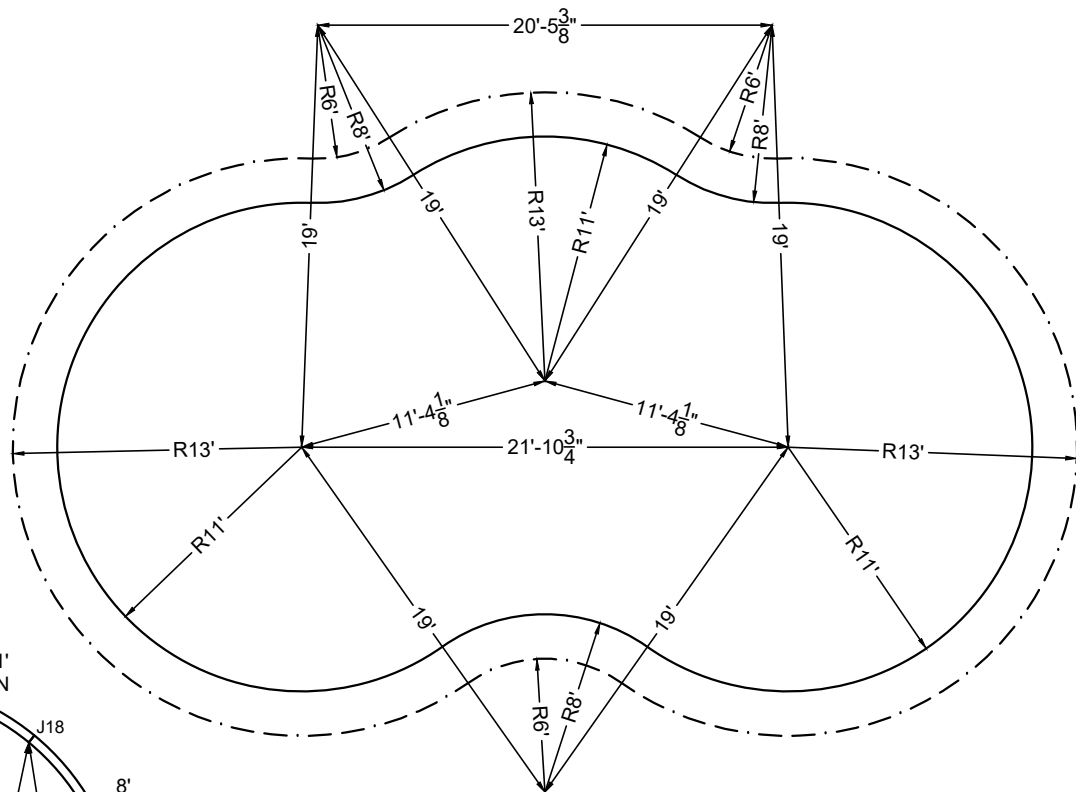
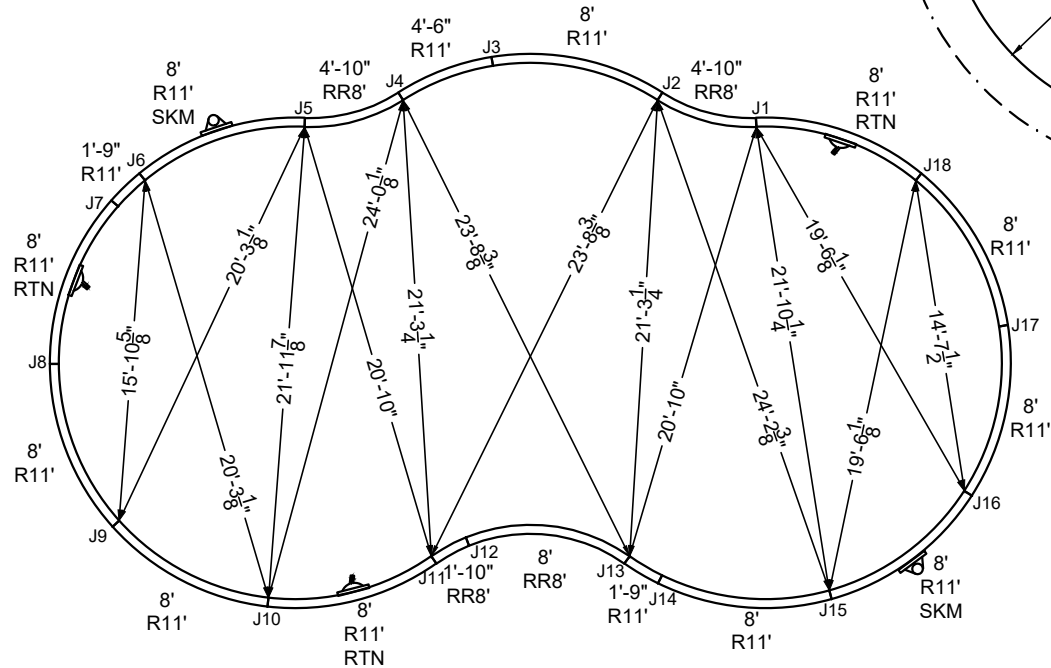
ALL DIMENSIONS ARE FINISHED

DIVING / SLIDE EQUIPMENT DISCLAIMER:

THE BOTTOM CONFIGURATION SHOWN MEETS WITH THE CURRENT ISPSC MINIMUM STANDARDS FOR POOLS APPROVED FOR THE USE WITH MANUFACTURED DIVING EQUIPMENT. ALL DIVING EQUIPMENT MUST BE INSTALLED AND LOCATED IN ACCORDANCE WITH THE DIVING / SLIDE MANUFACTURER'S RECOMMENDATIONS. IF DIVING EQUIPMENT IS INSTALLED: PLEASE FOLLOW ALL THE DIVING / SLIDE EQUIPMENT MANUFACTURER'S INSTALLATION, USE AND SAFETY INSTRUCTIONS.

MEETS DEPTH AND SHAPE MINIMUM STANDARD ANSI/NSPI5-2003

STEEL CHECK



STAKE OUT

SHAPE : ALOHA	SIZE : 22' X 43'-11"	HAND : LEFT	PANEL HEIGHT : 3'-6"	DRAWN BY : NM-BCC
DWG # : MN2244AL-19	DATE : 12/19/2016	REVISION # : 01	KIT REF : MN2244AL-19-L	B



MEGNA
POOLS

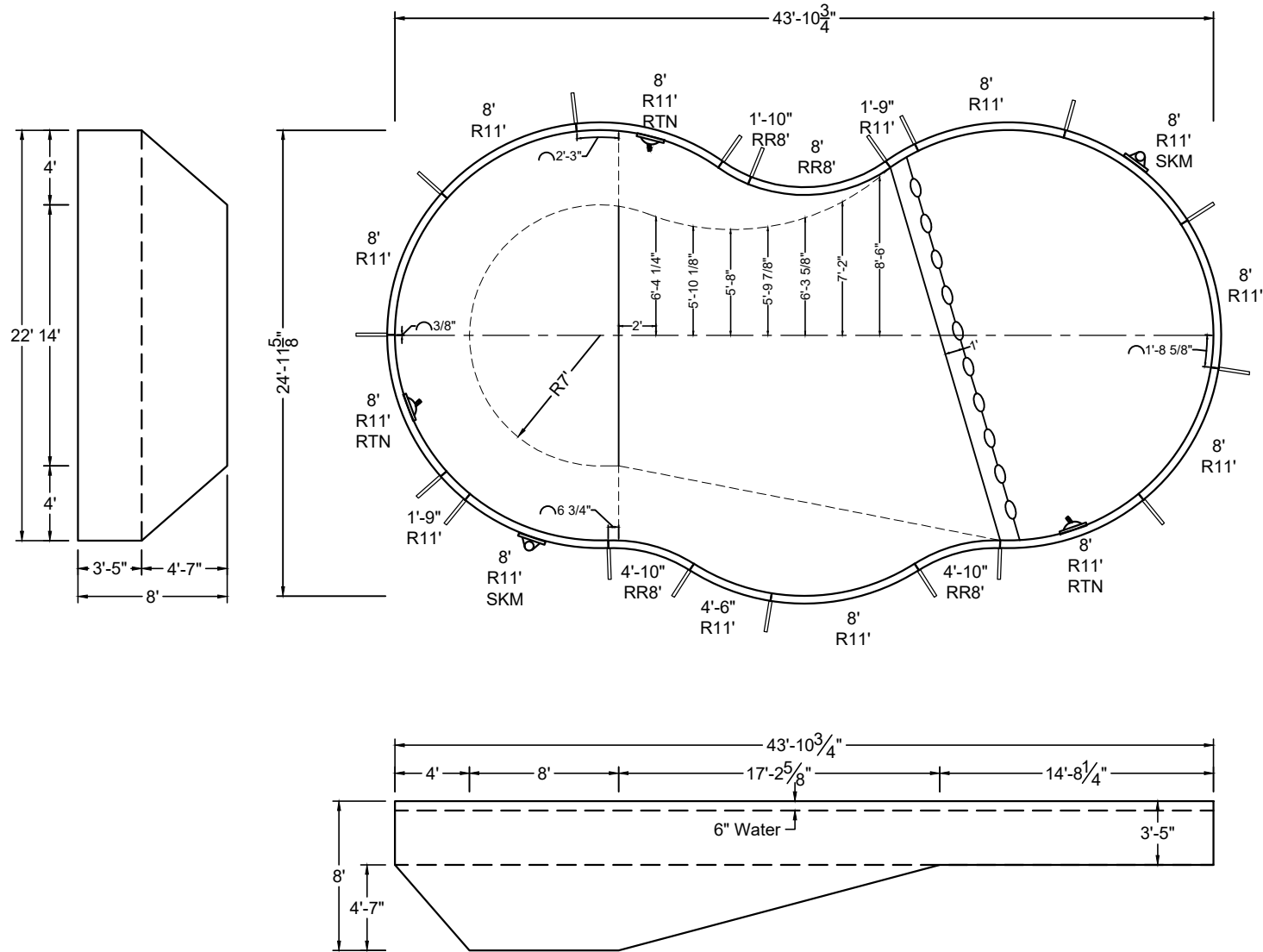
Magna Plastic Packaging Corp.

DIVING / SLIDE EQUIPMENT DISCLAIMER:

THE BOTTOM CONFIGURATION SHOWN MEETS WITH THE CURRENT ISPSM MINIMUM STANDARDS FOR POOLS APPROVED FOR THE USE WITH MANUFACTURED DIVING EQUIPMENT. ALL DIVING EQUIPMENT MUST BE INSTALLED AND LOCATED IN ACCORDANCE WITH THE DIVING / SLIDE MANUFACTURER'S RECOMMENDATIONS. IF DIVING EQUIPMENT IS INSTALLED: PLEASE FOLLOW ALL THE DIVING / SLIDE EQUIPMENT MANUFACTURER'S INSTALLATION, USE AND SAFETY INSTRUCTIONS.

MEETS DEPTH AND SHAPE MINIMUM STANDARD ANSI/NSPI5-2003

ALL DIMENSIONS ARE FINISHED



SHAPE : ALOHA	SIZE : 22' X 43'-11"	HAND : RIGHT	PANEL HEIGHT : 3'-6"	PANEL TYPE : 5" TOP
PERIMETER : 115'-6"	VOLUME : 33,154 US GAL.	SURFACE AREA : 858.019 SQ. FT.	SCALE : N.T.S	DRAWN BY : NM-BCC
DWG # : MN2244AL-19	DATE : 12/19/2016	REVISION # : 01	KIT REF : MN2244AL-19-R	A

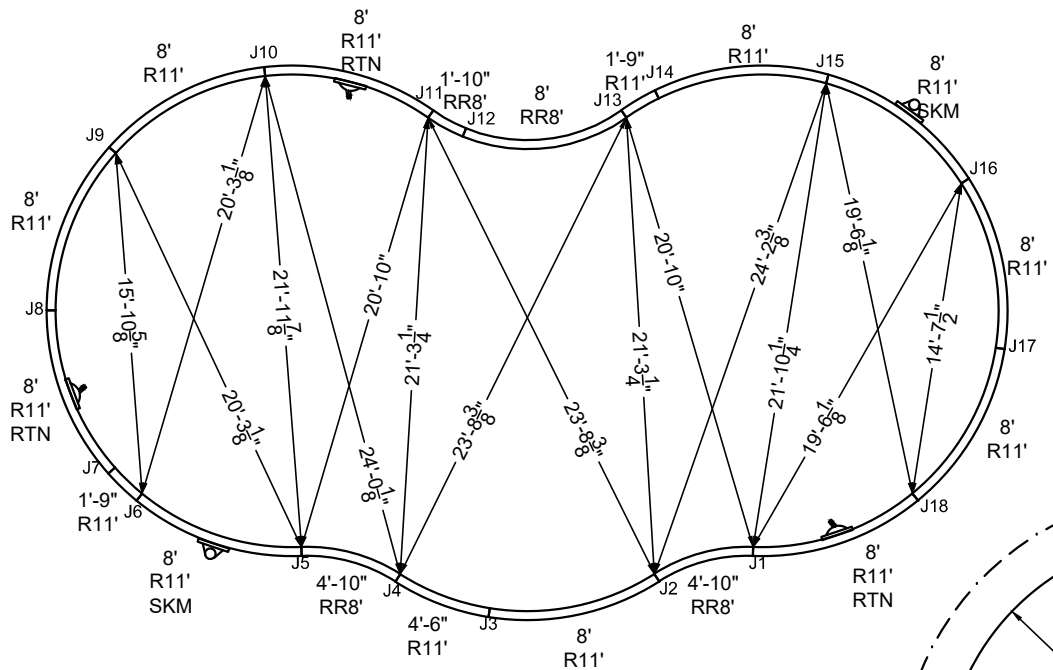


ALL DIMENSIONS ARE FINISHED

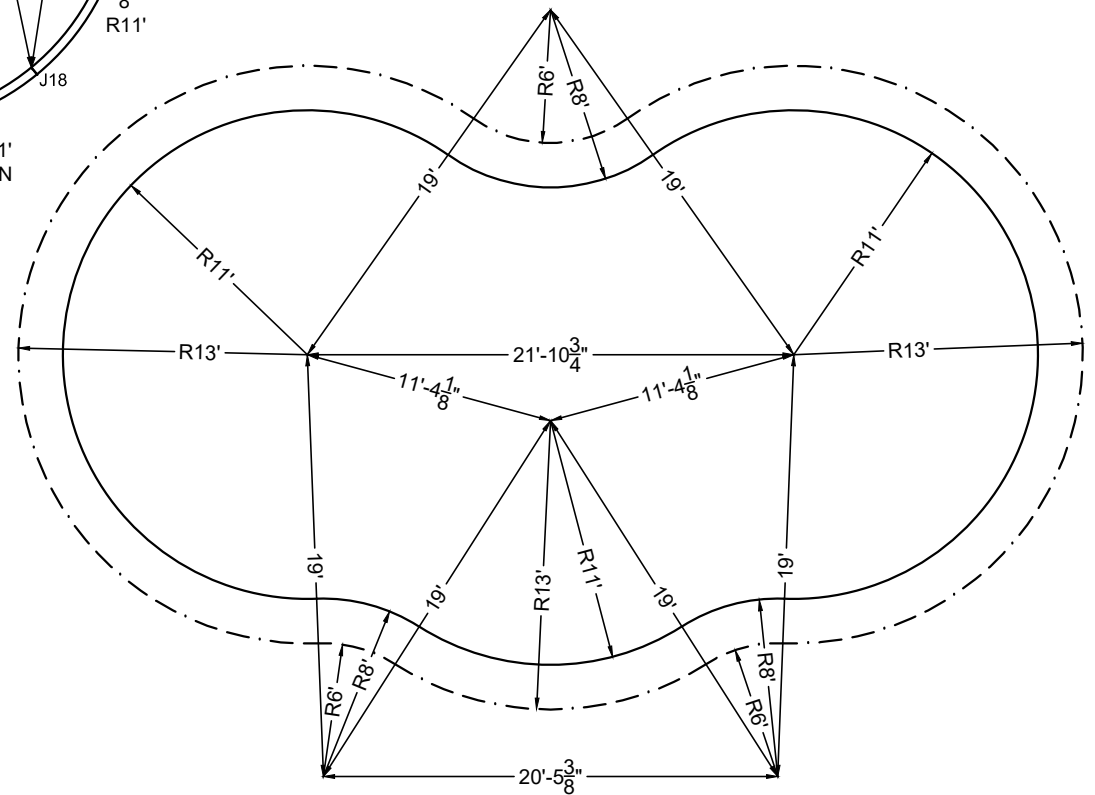
DIVING / SLIDE EQUIPMENT DISCLAIMER:

THE BOTTOM CONFIGURATION SHOWN MEETS WITH THE CURRENT ISPSM MINIMUM STANDARDS FOR POOLS APPROVED FOR THE USE WITH MANUFACTURED DIVING EQUIPMENT. ALL DIVING EQUIPMENT MUST BE INSTALLED AND LOCATED IN ACCORDANCE WITH THE DIVING / SLIDE MANUFACTURER'S RECOMMENDATIONS. IF DIVING EQUIPMENT IS INSTALLED: PLEASE FOLLOW ALL THE DIVING / SLIDE EQUIPMENT MANUFACTURER'S INSTALLATION, USE AND SAFETY INSTRUCTIONS.

MEETS DEPTH AND SHAPE MINIMUM STANDARD ANSI/NSPI5-2003



STEEL CHECK



STAKE OUT

SHAPE : ALOHA	SIZE : 22' X 43'-11"	HAND : RIGHT	PANEL HEIGHT : 3'-6"	DRAWN BY : NM-BCC
DWG # : MN2244AL-19	DATE : 12/19/2016	REVISION # : 01	KIT REF : MN2244AL-19-R	B