



821 BROCK RD. UNIT 1
 PICKERING, ONT
 L1W 3L6
 TEL:(905)837-1115
 FAX:(905)837-7588

SOLD TO:

WALL PATTERN: _____

TAG NAME: _____

FLOOR PATTERN: _____

DATE: _____

MIL: _____

P.O: _____

MUST PROVIDE PERIMETER

SAFETY LEDGE
 IF LEDGE VARIES PLEASE INDICATE

CHECK OFF BEAD TYPE

TOTAL: _____

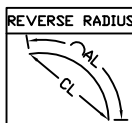
[] NO [] YES
 RIGHT LEDGE _____ IN. LEFT LEDGE _____ IN.
 END LEDGE _____ IN.

[] STANDARD
 [] OTHER _____
 [] NO BEAD _____ IN. OVERLAP

RIGHT HAND
 STANDING FROM SHALLOW END

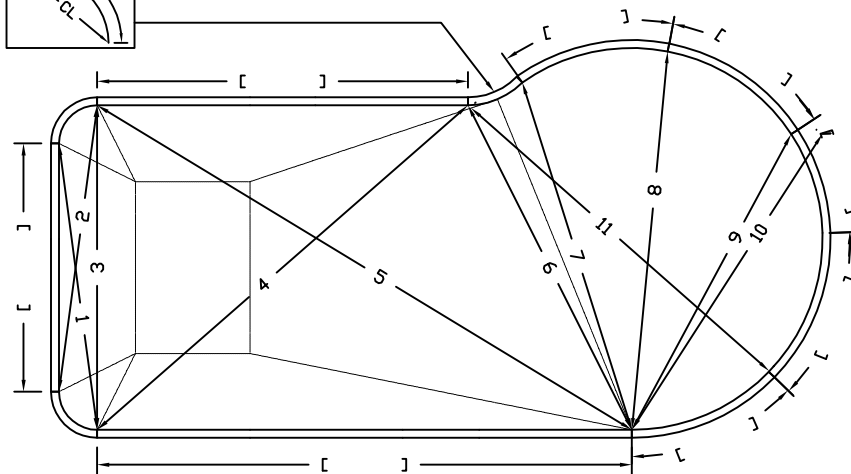
RIVIERA (RAD. REV)

TOP VIEW

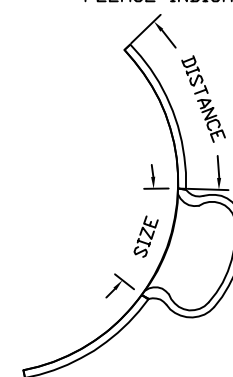


AL: _____
 CL: _____

NOTE: IF BREAK-OFF IS DIFFERENT FROM THE DIAGRAM, PLEASE REDRAW. PROVIDE MEASUREMENT FROM THE PANEL JOINT.



JUST AN EXAMPLE: IF STEP IS STRAIGHT PLEASE INDICATE



ATTENTION

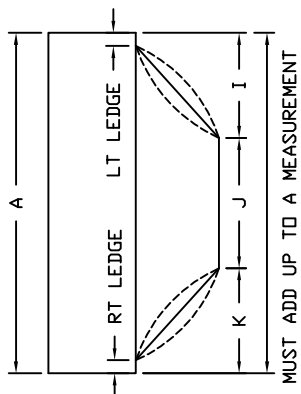
INDICATE WHERE THE STEP IS LOCATED. PROVIDE THE SIZE OF STEP AND A MEASUREMENT FROM THE CLOSEST PANEL JOINT, AS SHOWN IN THE EXAMPLE.

SIZE OF STEP

DISTANCE

END VIEW

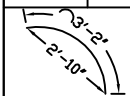
STANDING FROM DEEP END



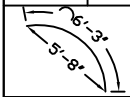
MUST ADD UP TO A MEASUREMENT

INDICATE CORNER TYPE

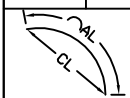
2' CORNER



4' CORNER

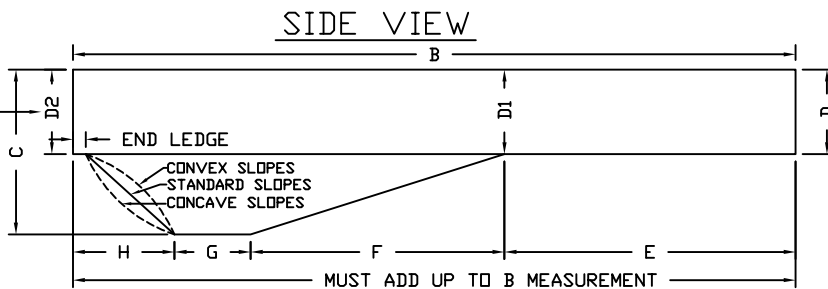


OTHER



AL: _____
 CL: _____

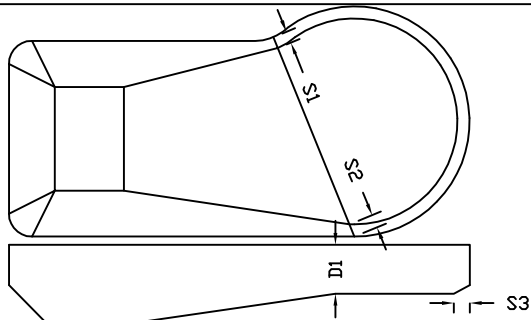
IF DEEP END WALL IS DIFFERENT THAN SHALLOW END WALL



SIDE VIEW

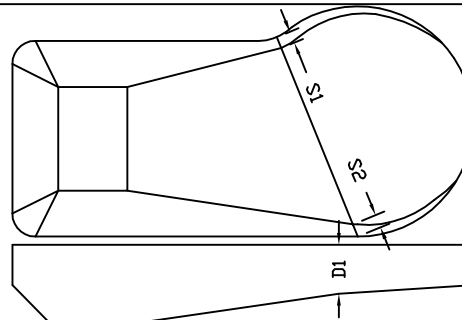
MUST ADD UP TO B MEASUREMENT

COVE PROFILE



D1= _____
 S1= _____
 S2= _____
 S3= _____

DEEPER BREAK PROFILE



D1= _____
 S1= _____
 S2= _____

MEASUREMENTS

A	
B	
C	
D	
D2	
E	
F	
G	
H	
I	
J	
K	
1	
2	
3	
4	
5	
6	
7	
9	
10	
11	