



821 BROCK RD. UNIT 1  
 PICKERING, ONT  
 L1W 3L6  
 TEL:(905)837-1115  
 FAX:(905)837-7588

SOLD TO:

WALL PATTERN: \_\_\_\_\_

TAG NAME: \_\_\_\_\_

FLOOR PATTERN: \_\_\_\_\_

DATE: \_\_\_\_\_

MIL: \_\_\_\_\_

P.O: \_\_\_\_\_

MUST PROVIDE PERIMETER

SAFETY LEDGE

IF LEDGE VARIES PLEASE INDICATE

[ ] NO [ ] YES

RIGHT LEDGE \_\_\_\_\_ IN. LEFT LEDGE \_\_\_\_\_

END LEDGE \_\_\_\_\_ IN.

CHECK OFF BEAD TYPE

[ ] STANDARD

[ ] OTHER \_\_\_\_\_

[ ] NO BEAD \_\_\_\_\_ IN. OVERLAP

CHECK OFF SLOPE TYPE

[ ] STANDARD

[ ] CONVEX

[ ] CONCAVE

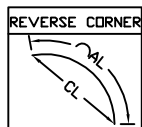
TOTAL: \_\_\_\_\_

PATRICIAN(RAD. REV.)

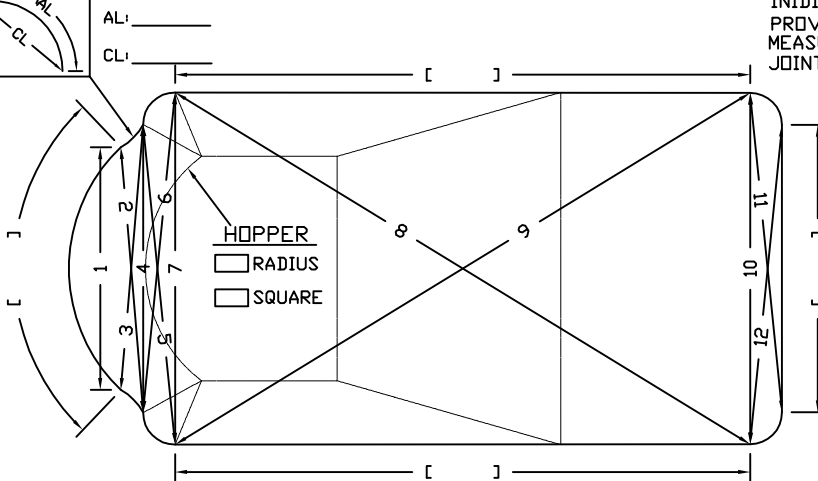
MUST PROVIDE DIAGONALS IF POOL IS OUT OF SQUARE

MEASUREMENTS

A	
B	
C	
D	
D2	
E	
F	
G	
H	
I	
J	
K	
1	
2	
3	
4	
5	
6	
7	
8	
9	
10	
11	
12	

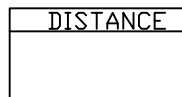
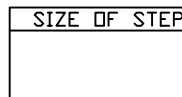


TOP VIEW

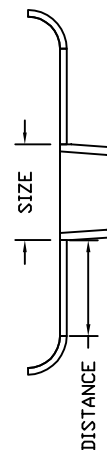


ATTENTION

INDICATE WHERE THE STEP IS LOCATED.  
 PROVIDE THE SIZE OF STEP AND A  
 MEASUREMENT FROM THE CLOSEST PANEL  
 JOINT, AS SHOWN IN THE EXAMPLE.

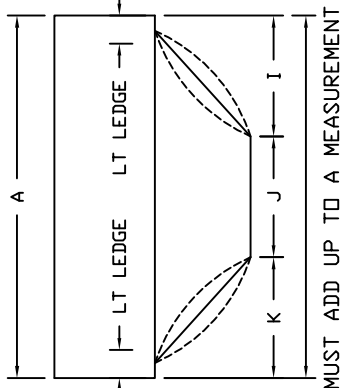


JUST AN EXAMPLE: IF STEP IS RADIUS  
 PLEASE INDICATE



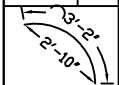
END VIEW

STANDING FROM DEEP END

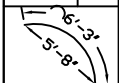


INDICATE CORNER TYPE

6" CORNER



4" CORNER

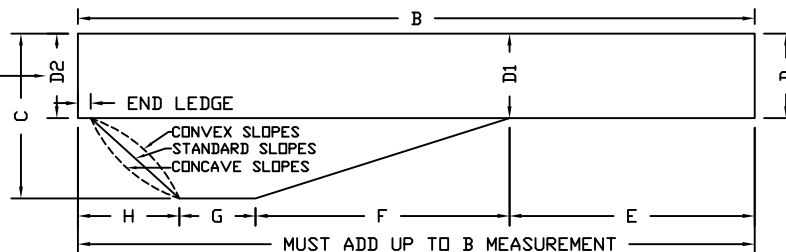


OTHER

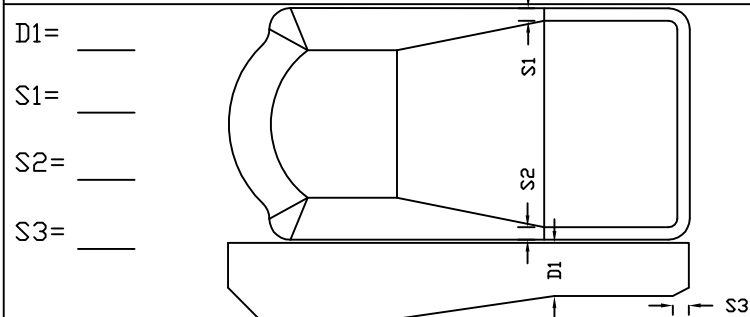


IF DEEP END WALL  
 IS DIFFERENT THAN  
 SHALLOW END WALL

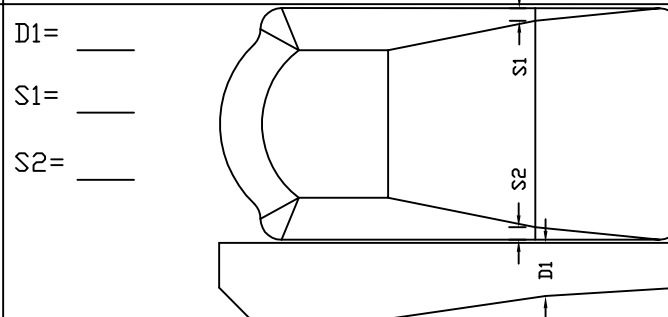
SIDE VIEW



COVE PROFILE



DEEPER BREAK PROFILE



DESIGNER: NOEL MANLAPAZ