

821 BROCK RD, UNIT 1 PICKERING, ONT L1W 3L6 TEL:(905)837-1115 FAX:(905)837-7588	SOLD TO: _____	WALL PATTERN: _____ FLOOR PATTERN: _____ MIL: _____	TAG NAME: _____ DATE: _____ P.O: _____
---	----------------	---	--

LEFT HAND  
STANDING FROM S.E

MUST PROVIDE PERIMETER  
TOTAL: \_\_\_\_\_

**SAFETY LEDGE**  
 IF LEDGE VARIES PLEASE INDICATE  
 [ ] NO [ ] YES  
 RIGHT LEDGE \_\_\_\_\_ IN. LEFT LEDGE \_\_\_\_\_ IN.  
 END LEDGE \_\_\_\_\_ IN.

**CHECK OFF BEAD TYPE**

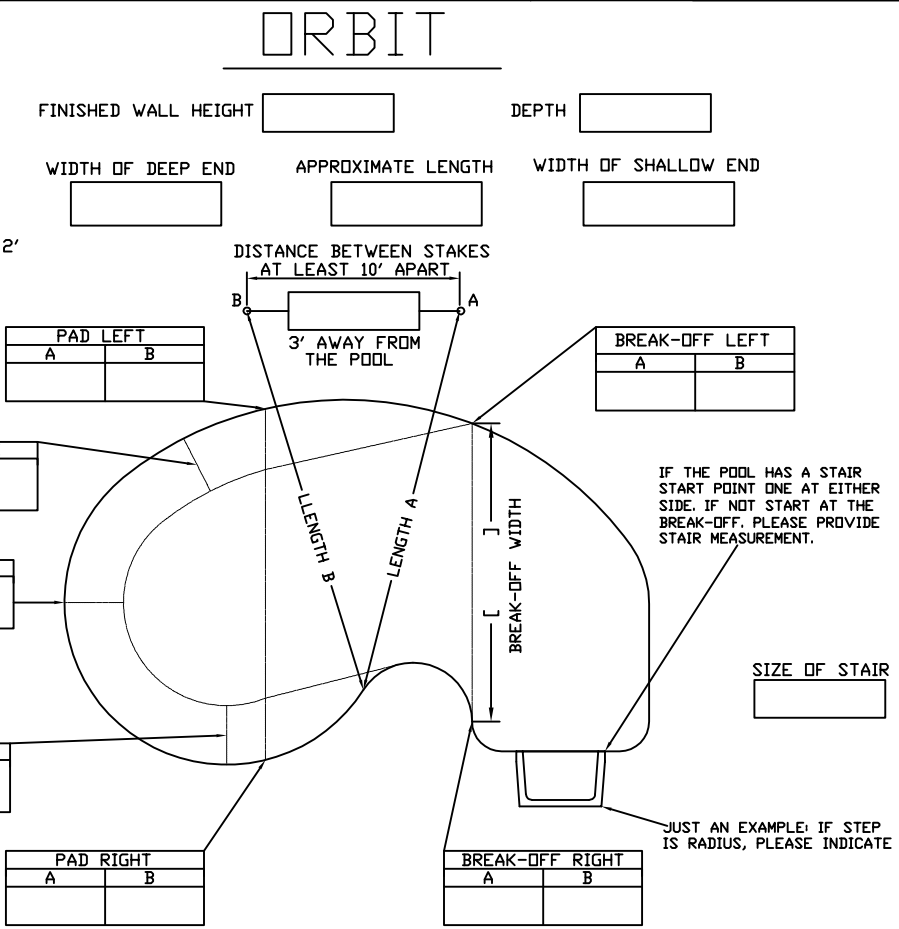
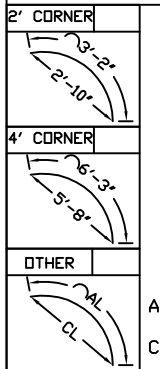
[ ] STANDARD  
 [ ] OTHER \_\_\_\_\_  
 [ ] NO BEAD \_\_\_\_\_ IN. OVERLAP

**INSTRUCTIONS:**

- STEP 1:** Position 2 stakes (A & B) at least 10' apart as shown in the diagram. When positioning the stakes make sure that they are parallel to the longest length of the pool and a least 3' away from the pool.  
 \*Note: Do not remove until the liner has been installed.
- STEP 2:** Define the break-off and pad with measurements from these stakes.
- STEP 3:** Define the shape of the POOL by taking measurements, approximately every 2' around the perimeter of the pool.  
 \*NOTE: Decrease the distance between the points you are using to 6' around reverse or small radius.
- STEP 4:** Fill in the other measurements required as indicated by the boxes provided.  
 \*NOTE: PERIMETER MUST BE PROVIDED SO THAT THE PLOT MEASUREMENTS CAN BE VERIFIED!!!

**STEP 5:** If stakes are positioned differently from the drawing, indicate the position.

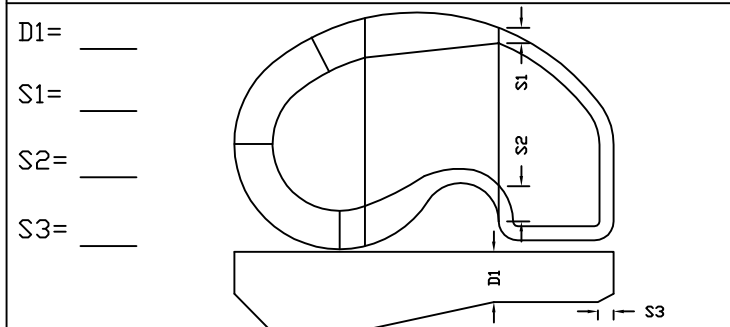
**INDICATE CORNER TYPE**



**MEASUREMENTS**

	A	B	A	B
1				
2				
3				
4				
5				
6				
7				
8				
9				
10				
11				
12				
13				
14				
15				
16				
17				
18				
19				
20				
21				
22				
23				
24				
25				
26				
27				
28				
29				
30				

**COVE PROFILE**



**DEEPER BREAK PROFILE**

