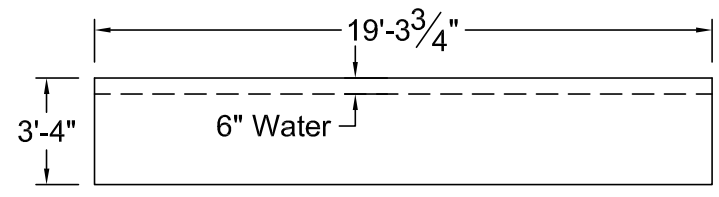
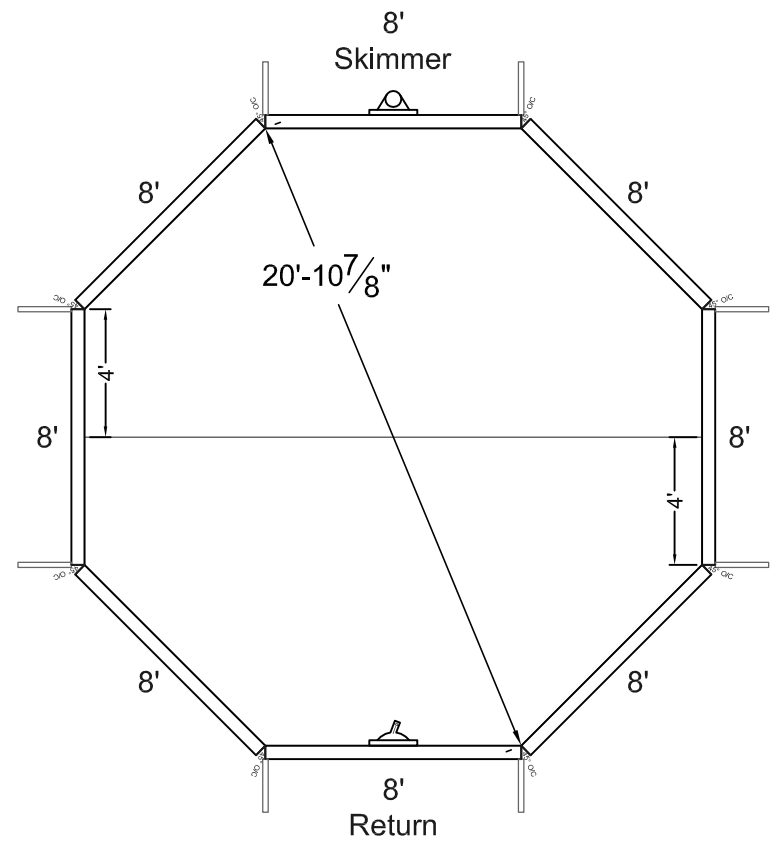
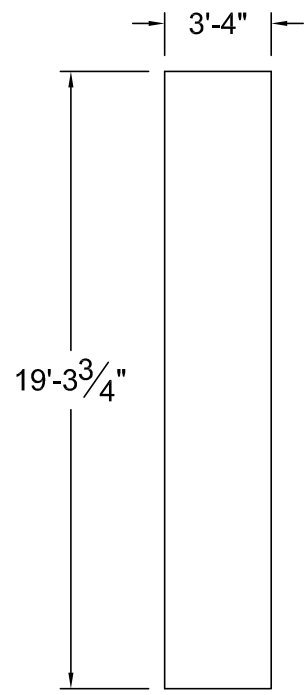




SIZE: 19'-4" x 19'-4"	SHAPE: OCTAGON	HAND: N/A	DWG# 21FT A
PER.: 64'	S.A.: 309.02 ft <sup>2</sup>	VOL.: 0.00 gal.us	DATE: 15/01/2010
PER.: 19.51 m	S.A.: 28.71 m <sup>2</sup>	VOL.: 0.00 liters	DRAWN BY: BCC

ALL DIMENSIONS ARE FINISHED



DESCRIPTION	QTY
8' STR	6
8' STR RTN	1
8' STR SKM	1
45° O/C	8
A-FRAMES	8
STD HARDWARE PACK	1

KIT REF# MN2121-OC-10

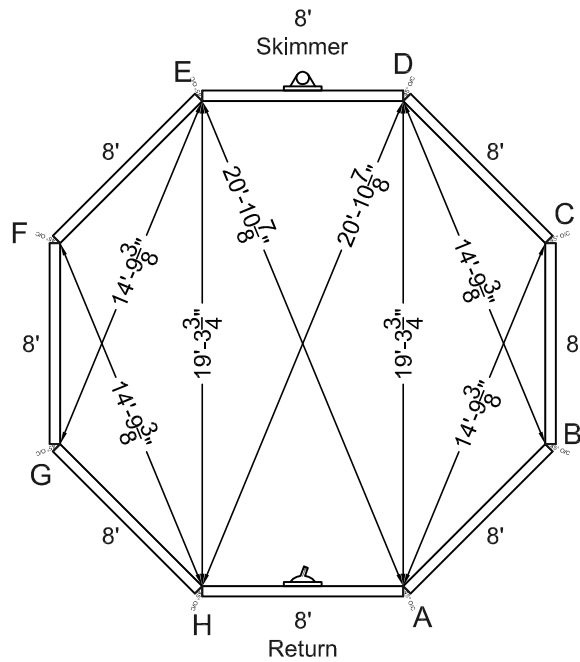
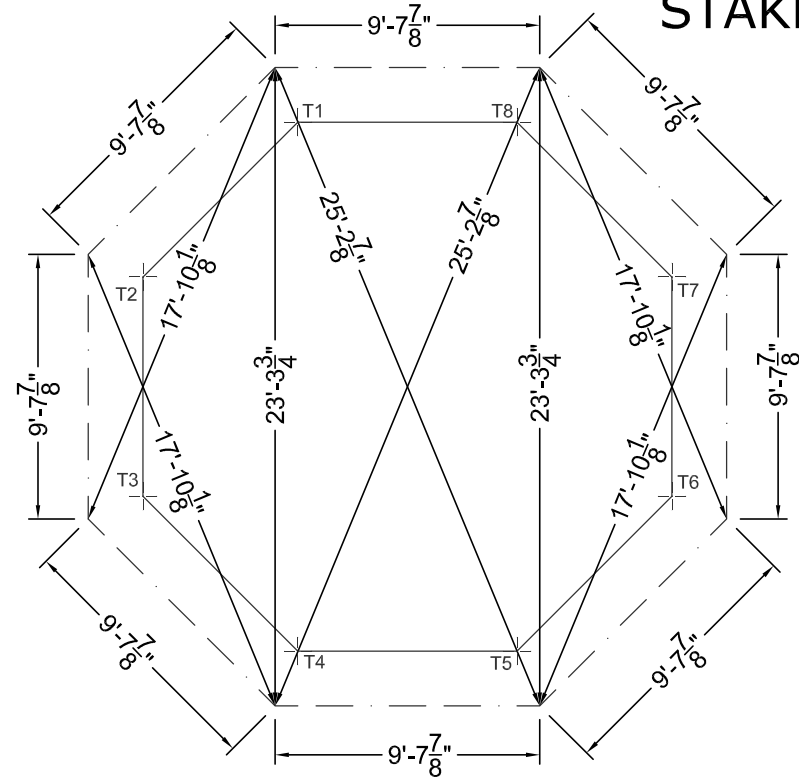


MEGNA POOLS

Megna Plastic Packaging Corp

SIZE: 19'-4" x 19'-4"	SHAPE: OCTAGON	HAND: N/A	DWG# 21FT B
PER.: 64'	S.A.: 309.02 ft <sup>2</sup>	VOL.: 0.00 gal.us	DATE: 15/01/2010
PER.: 19.51 m	S.A.: 28.71 m <sup>2</sup>	VOL.: 0.00 liters	DRAWN BY: BCC

STAKE OUT



STEEL CHECK

KIT REF# MN2121-OC-10



SIZE: 19'-4" x 19'-4"	SHAPE: OCTAGON	HAND: N/A	DWG# 21FTC
PER.: 64'	S.A.: 309.02 ft <sup>2</sup>	VOL.: 0.00 gal.us	DATE: 15/01/2010
PER.: 19.51 m	S.A.: 28.71 m <sup>2</sup>	VOL.: 0.00 liters	DRAWN BY: BCC
APPROVED:			

## ULTIMATE STEEL CHECK

	A	B	C	D	E	F	G	H
A		8'	14'-9 3/8"	19'-3 3/4"	20'-10 7/8"	19'-3 3/4"	14'-9 3/8"	8'
B	8'		8'	14'-9 3/8"	19'-3 3/4"	20'-10 7/8"	19'-3 3/4"	14'-9 3/8"
C	14'-9 3/8"	8'		8'	14'-9 3/8"	19'-3 3/4"	20'-10 7/8"	19'-3 3/4"
D	19'-3 3/4"	14'-9 3/8"	8'		8'	14'-9 3/8"	19'-3 3/4"	20'-10 7/8"
E	20'-10 7/8"	19'-3 3/4"	14'-9 3/8"	8'		8'	14'-9 3/8"	19'-3 3/4"
F	19'-3 3/4"	20'-10 7/8"	19'-3 3/4"	14'-9 3/8"	8'		8'	14'-9 3/8"
G	14'-9 3/8"	19'-3 3/4"	20'-10 7/8"	19'-3 3/4"	14'-9 3/8"	8'		8'
H	8'	14'-9 3/8"	19'-3 3/4"	20'-10 7/8"	19'-3 3/4"	14'-9 3/8"	8'	



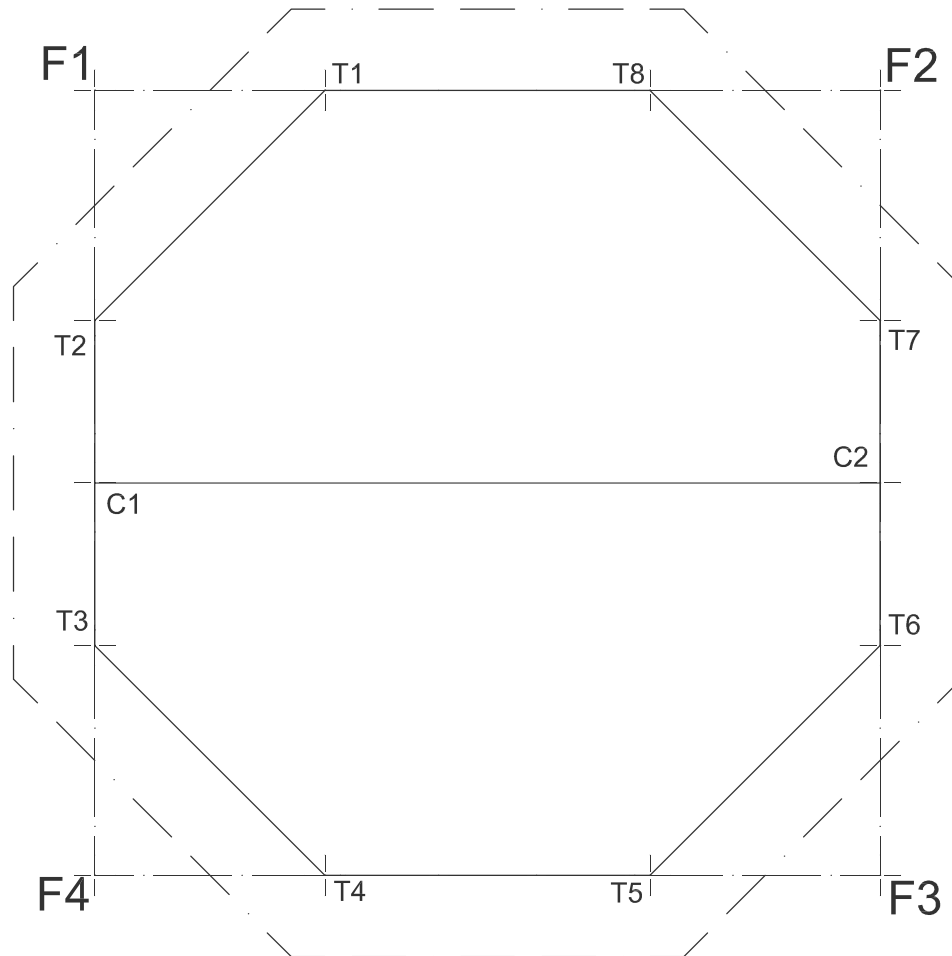
**MEGNA  
POOLS**

Megna Plastic Packaging Corp.

SIZE: 19'-4" x 19'-4"	SHAPE: OCTAGON	HAND: N/A	DWG# <b>21FTD</b>
PER.: 64'	S.A.: 309.02 ft <sup>2</sup>	VOL.: 0.00 gal.us	DATE: 15/01/2010
PER.: 19.51 m	S.A.: 28.71 m <sup>2</sup>	VOL.: 0.00 liters	DRAWN BY: BCC

APPROVED:

## STAKE OUT IN A BOX



	F1 to F2 = 19'-3 3/4"		F1 to F3 = 27'-3 3/4"	
	F1 to F4 = 19'-3 3/4"		F2 to F3 = 19'-3 3/4"	
	F2 to F4 = 27'-3 3/4"		F3 to F4 = 19'-3 3/4"	
	F1	F2	F3	F4
T1	5'-7 7/8"	13'-7 7/8"	23'-7 7/8"	20'-1 1/2"
T2	5'-7 7/8"	20'-1 1/2"	23'-7 7/8"	13'-7 7/8"
T3	13'-7 7/8"	23'-7 7/8"	20'-1 1/2"	5'-7 7/8"
T4	20'-1 1/2"	23'-7 7/8"	13'-7 7/8"	5'-7 7/8"
T5	23'-7 7/8"	20'-1 1/2"	5'-7 7/8"	13'-7 7/8"
T6	23'-7 7/8"	13'-7 7/8"	5'-7 7/8"	20'-1 1/2"
T7	20'-1 1/2"	5'-7 7/8"	13'-7 7/8"	23'-7 7/8"
T8	13'-7 7/8"	5'-7 7/8"	20'-1 1/2"	23'-7 7/8"
C1	9'-7 7/8"	21'-7 1/8"	21'-7 1/8"	9'-7 7/8"
C2	21'-7 1/8"	9'-7 7/8"	9'-7 7/8"	21'-7 1/8"

KIT REF# MN2121-OC-10



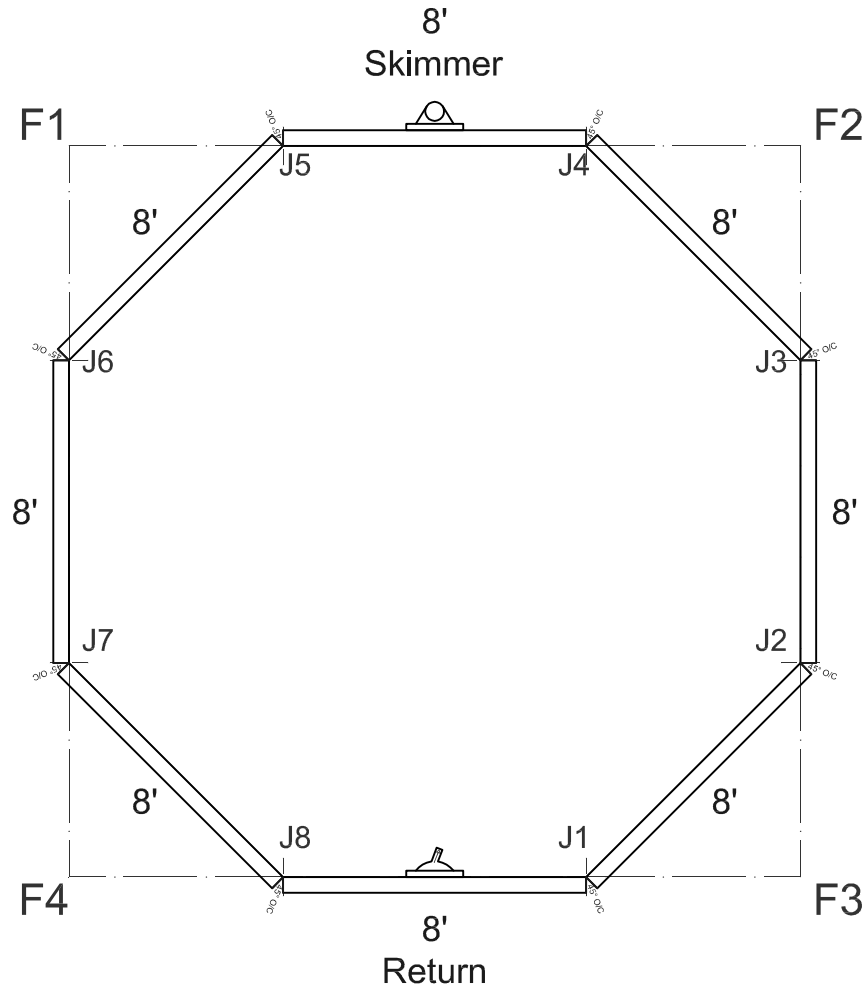
**MEGNA  
POOLS**

Megna Plastic Packaging Corp.

SIZE: 19'-4" x 19'-4"	SHAPE: OCTAGON	HAND: N/A	DWG# <b>21FT E</b>
PER.: 64'	S.A.: 309.02 ft <sup>2</sup>	VOL.: 0.00 gal.us	DATE: 15/01/2010
PER.: 19.51 m	S.A.: 28.71 m <sup>2</sup>	VOL.: 0.00 liters	DRAWN BY: BCC

APPROVED:

## STEEL CHECK IN A BOX



F1 to F2 = 19'-3 3/4"	F1 to F3 = 27'-3 3/4"			
F1 to F4 = 19'-3 3/4"	F2 to F3 = 19'-3 3/4"			
F2 to F4 = 27'-3 3/4"	F3 to F4 = 19'-3 3/4"			
	F1	F2	F3	F4
J1	23'-7 7/8"	20'-1 1/2"	5'-7 7/8"	13'-7 7/8"
J2	23'-7 7/8"	13'-7 7/8"	5'-7 7/8"	20'-1 1/2"
J3	20'-1 1/2"	5'-7 7/8"	13'-7 7/8"	23'-7 7/8"
J4	13'-7 7/8"	5'-7 7/8"	20'-1 1/2"	23'-7 7/8"
J5	5'-7 7/8"	13'-7 7/8"	23'-7 7/8"	20'-1 1/2"
J6	5'-7 7/8"	20'-1 1/2"	23'-7 7/8"	13'-7 7/8"
J7	13'-7 7/8"	23'-7 7/8"	20'-1 1/2"	5'-7 7/8"
J8	20'-1 1/2"	23'-7 7/8"	13'-7 7/8"	5'-7 7/8"

KIT REF# MN2121-OC-10



**MEGNA  
POOLS**

Megna Plastic Packaging Corp.

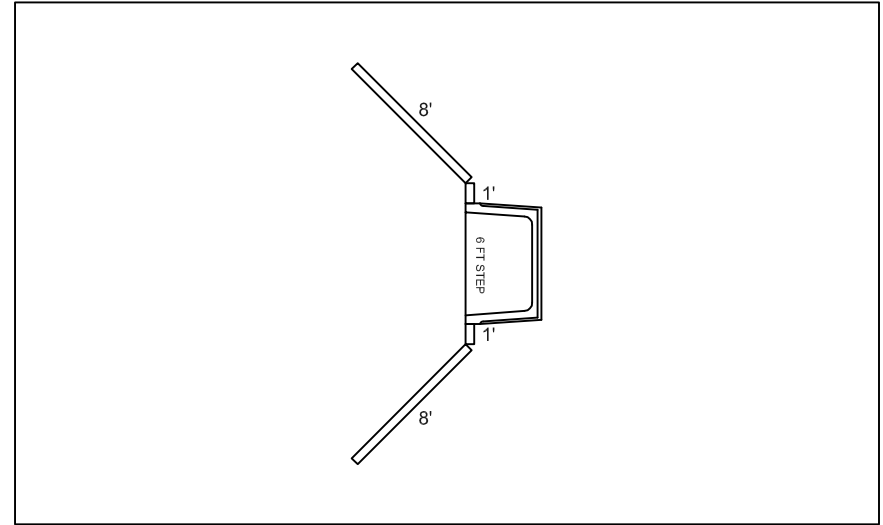
SIZE: 19'-4" x 19'-4"	SHAPE: OCTAGON	HAND: N/A	DWG# 21FT F
PER.: 64'	S.A.: 309.02 ft <sup>2</sup>	VOL.: 0.00 gal.us	DATE: 15/01/2010
PER.: 19.51 m	S.A.: 28.71 m <sup>2</sup>	VOL.: 0.00 liters	DRAWN BY: BCC

APPROVED:

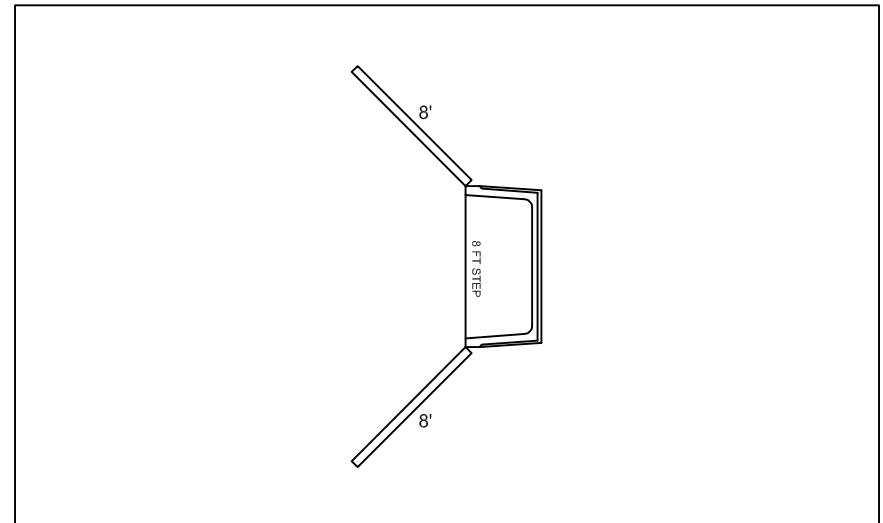
DESCRIPTION	QTY
1' STR	+2
8' STR	-1
6 FT GEN	+1
45° O/C	-8
A-FRAMES	+10

DESCRIPTION	QTY
8' STR	-1
8 FT GEN	+1
45° O/C	-8
A-FRAMES	+8

### OPTION #1



### OPTION #2

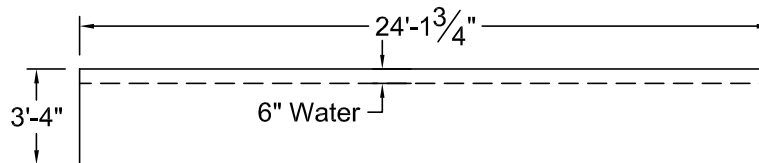
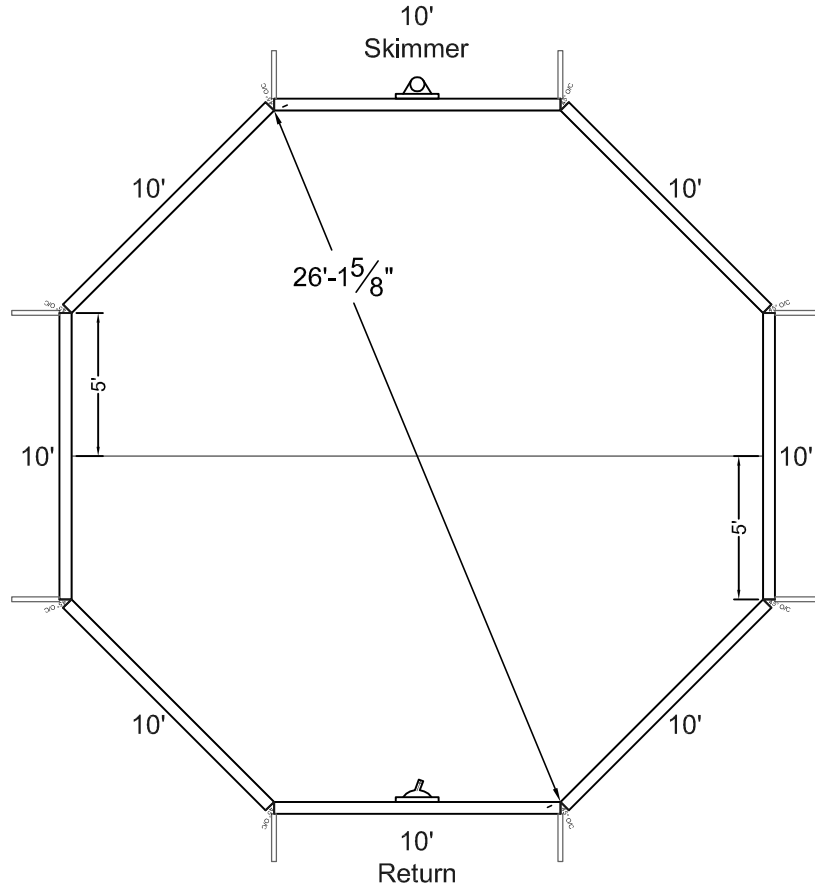
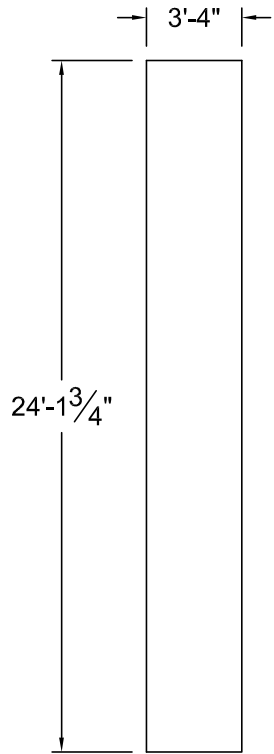


KIT REF# MN2121-OC-10



SIZE: 24'-2" x 24'-2"	SHAPE: OCTAGON	HAND: N/A	DWG# <b>26 FT A</b>
PER.: 80'	S.A.: 482.84 ft <sup>2</sup>	VOL.: 0.00 gal.us	DATE: 15/01/2010
PER.: 24.38 m	S.A.: 44.86 m <sup>2</sup>	VOL.: 0.00 liters	DRAWN BY: BCC

**ALL DIMENSIONS ARE FINISHED**



DESCRIPTION	QTY
10' STR	6
10' STR RTN	1
10' STR SKM	1
45° O/C	8
A-FRAMES	8
STD HARDWARE PACK	1

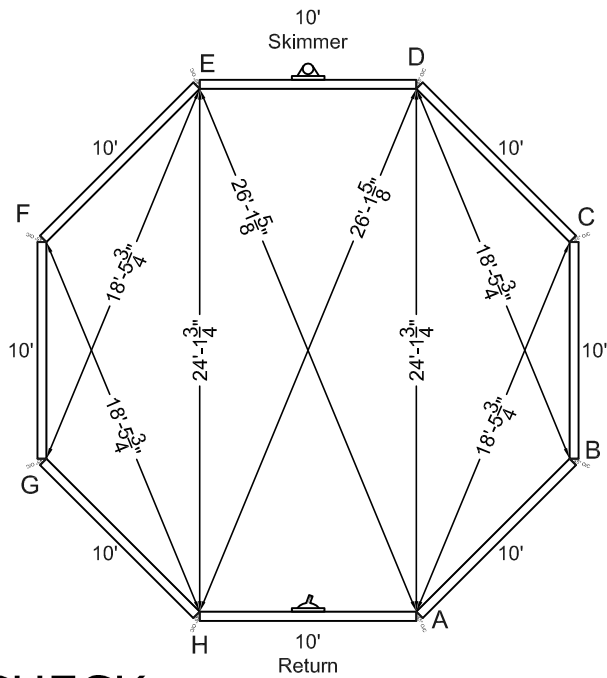
KIT REF# MN2626-OC-10



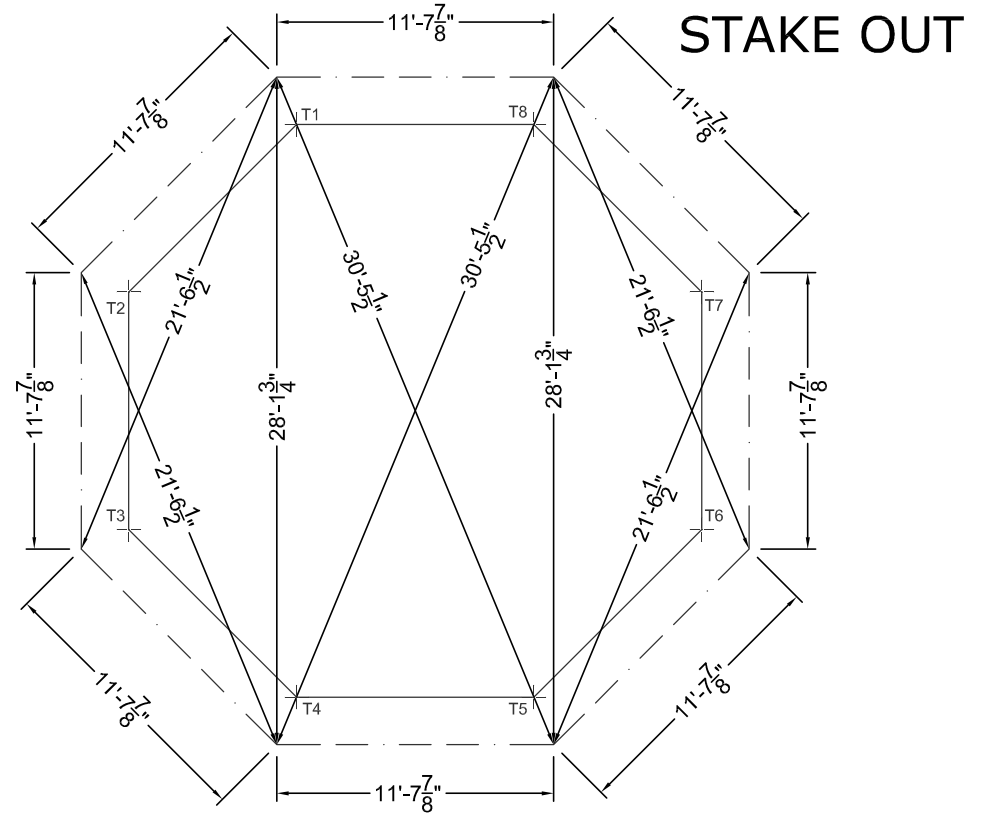
**MEGNA  
POOLS**

Megna Plastic Packaging Corp.

SIZE: 24'-2" x 24'-2"	SHAPE: OCTAGON	HAND: N/A	DWG# <b>26 FT B</b>
PER.: 80'	S.A.: 482.84 ft <sup>2</sup>	VOL.: 0.00 gal.us	DATE: 15/01/2010
PER.: 24.38 m	S.A.: 44.86 m <sup>2</sup>	VOL.: 0.00 liters	DRAWN BY: BCC
			APPROVED:



**STEEL CHECK**



**STAKE OUT**

KIT REF# MN2626-OC-10



SIZE: 24'-2" x 24'-2"	SHAPE: OCTAGON	HAND: N/A	DWG# <b>26FTC</b>
PER.: 80'	S.A.: 482.84 ft <sup>2</sup>	VOL.: 0.00 gal.us	DATE: 15/01/2010
PER.: 24.38 m	S.A.: 44.86 m <sup>2</sup>	VOL.: 0.00 liters	DRAWN BY: BCC
APPROVED:			

## ULTIMATE STEEL CHECK

	A	B	C	D	E	F	G	H
A		10'	18'-5 3/4"	24'-1 11/16"	26'-1 9/16"	24'-1 11/16"	18'-5 3/4"	10'
B	10'		10'	18'-5 3/4"	24'-1 11/16"	26'-1 9/16"	24'-1 11/16"	18'-5 3/4"
C	18'-5 3/4"	10'		10'	18'-5 3/4"	24'-1 11/16"	26'-1 9/16"	24'-1 11/16"
D	24'-1 11/16"	18'-5 3/4"	10'		10'	18'-5 3/4"	24'-1 11/16"	26'-1 9/16"
E	26'-1 9/16"	24'-1 11/16"	18'-5 3/4"	10'		10'	18'-5 3/4"	24'-1 11/16"
F	24'-1 11/16"	26'-1 9/16"	24'-1 11/16"	18'-5 3/4"	10'		10'	18'-5 3/4"
G	18'-5 3/4"	24'-1 11/16"	26'-1 9/16"	24'-1 11/16"	18'-5 3/4"	10'		10'
H	10'	18'-5 3/4"	24'-1 11/16"	26'-1 9/16"	24'-1 11/16"	18'-5 3/4"	10'	

KIT REF# MN2626-OC-10



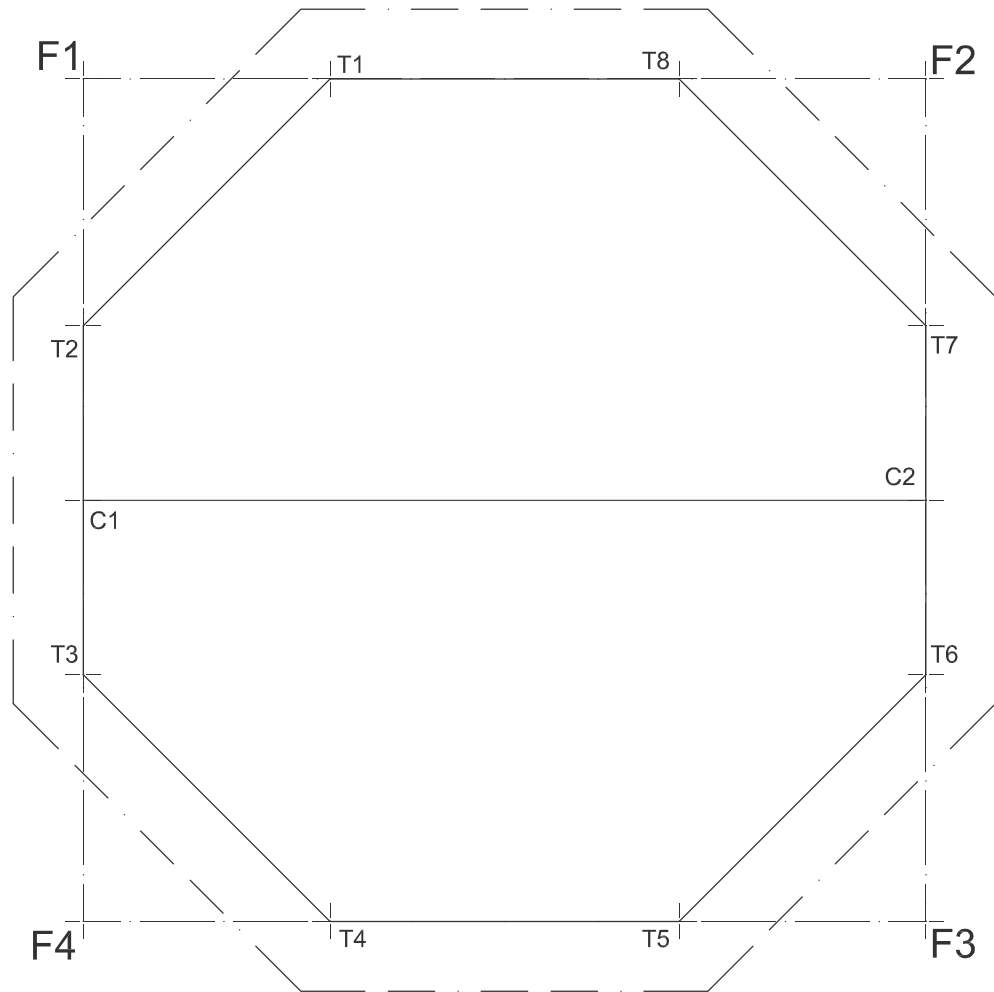
**MEGNA  
POOLS**

Megna Plastic Packaging Corp.

SIZE: 24'-2" x 24'-2"	SHAPE: OCTAGON	HAND: N/A	DWG# <b>26FT D</b>
PER.: 80'	S.A.: 482.84 ft <sup>2</sup>	VOL.: 0.00 gal.us	DATE: 15/01/2010
PER.: 24.38 m	S.A.: 44.86 m <sup>2</sup>	VOL.: 0.00 liters	DRAWN BY: BCC

APPROVED:

## STAKE OUT IN A BOX



	F1 to F2 = 24'-1 3/4"		F1 to F3 = 34'-1 3/4"	
	F1 to F4 = 24'-1 3/4"		F2 to F3 = 24'-1 3/4"	
	F2 to F4 = 34'-1 3/4"		F3 to F4 = 24'-1 3/4"	
	F1	F2	F3	F4
T1	7'-0 7/8"	17'-0 7/8"	29'-6 7/8"	25'-1 7/8"
T2	7'-0 7/8"	25'-1 7/8"	29'-6 7/8"	17'-0 7/8"
T3	17'-0 7/8"	29'-6 7/8"	25'-1 7/8"	7'-0 7/8"
T4	25'-1 7/8"	29'-6 7/8"	17'-0 7/8"	7'-0 7/8"
T5	29'-6 7/8"	25'-1 7/8"	7'-0 7/8"	17'-0 7/8"
T6	29'-6 7/8"	17'-0 7/8"	7'-0 7/8"	25'-1 7/8"
T7	25'-1 7/8"	7'-0 7/8"	17'-0 7/8"	29'-6 7/8"
T8	17'-0 7/8"	7'-0 7/8"	25'-1 7/8"	29'-6 7/8"
C1	12'-0 7/8"	26'-11 7/8"	26'-11 7/8"	12'-0 7/8"
C2	26'-11 7/8"	12'-0 7/8"	12'-0 7/8"	26'-11 7/8"

KIT REF# MN2626-OC-10



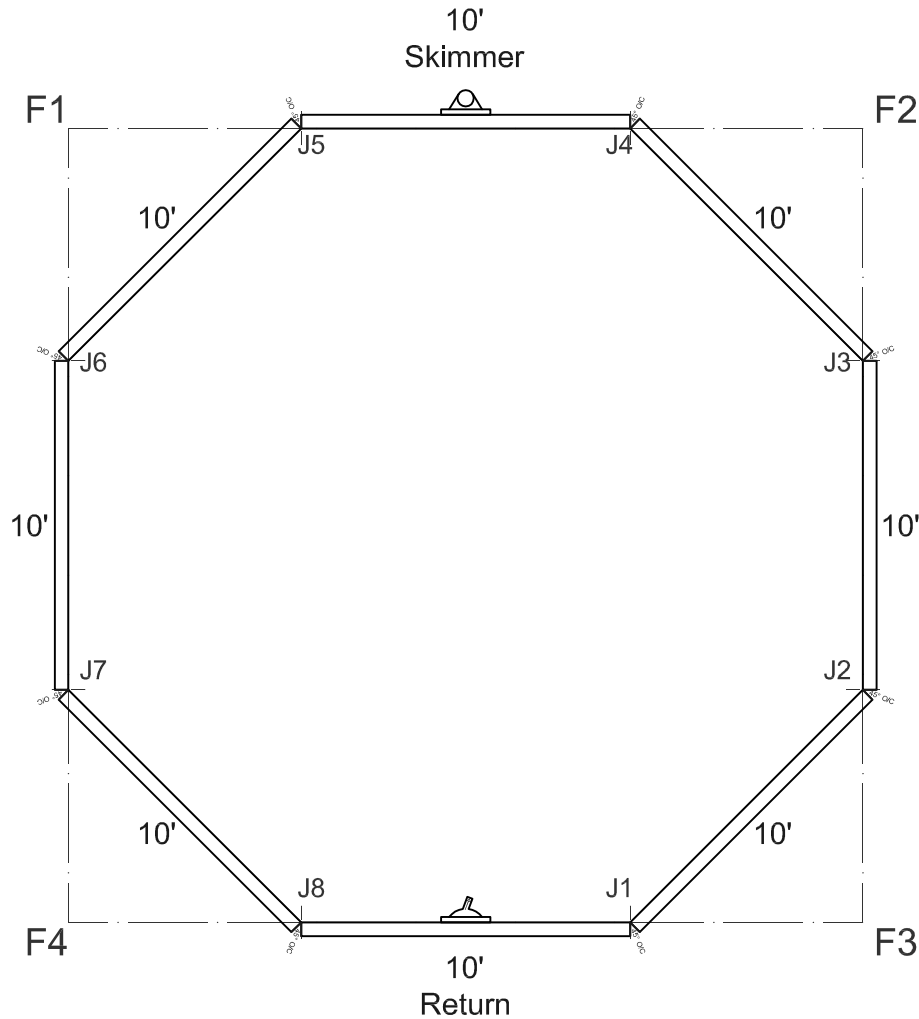
**MEGNA  
POOLS**

Megna Plastic Packaging Corp.

SIZE: 24'-2" x 24'-2"	SHAPE: OCTAGON	HAND: N/A	DWG# <b>26 FT E</b>
PER.: 80'	S.A.: 482.84 ft <sup>2</sup>	VOL.: 0.00 gal.us	DATE: 15/01/2010
PER.: 24.38 m	S.A.: 44.86 m <sup>2</sup>	VOL.: 0.00 liters	DRAWN BY: BCC

APPROVED:

## STEEL CHECK IN A BOX



F1 to F2 = 24'-1 11/16"	F1 to F3 = 34'-1 11/16"			
F1 to F4 = 24'-1 11/16"	F2 to F3 = 24'-1 11/16"			
F2 to F4 = 34'-1 11/16"	F3 to F4 = 24'-1 11/16"			
	F1	F2	F3	F4
J1	29'-6 13/16"	25'-1 7/8"	7'-0 7/8"	17'-0 7/8"
J2	29'-6 13/16"	17'-0 7/8"	7'-0 7/8"	25'-1 7/8"
J3	25'-1 7/8"	7'-0 7/8"	17'-0 7/8"	29'-6 13/16"
J4	17'-0 7/8"	7'-0 7/8"	25'-1 7/8"	29'-6 13/16"
J5	7'-0 7/8"	17'-0 7/8"	29'-6 13/16"	25'-1 7/8"
J6	7'-0 7/8"	25'-1 7/8"	29'-6 13/16"	17'-0 7/8"
J7	17'-0 7/8"	29'-6 13/16"	25'-1 7/8"	7'-0 7/8"
J8	25'-1 7/8"	29'-6 13/16"	17'-0 7/8"	7'-0 7/8"

KIT REF# MN2626-OC-10



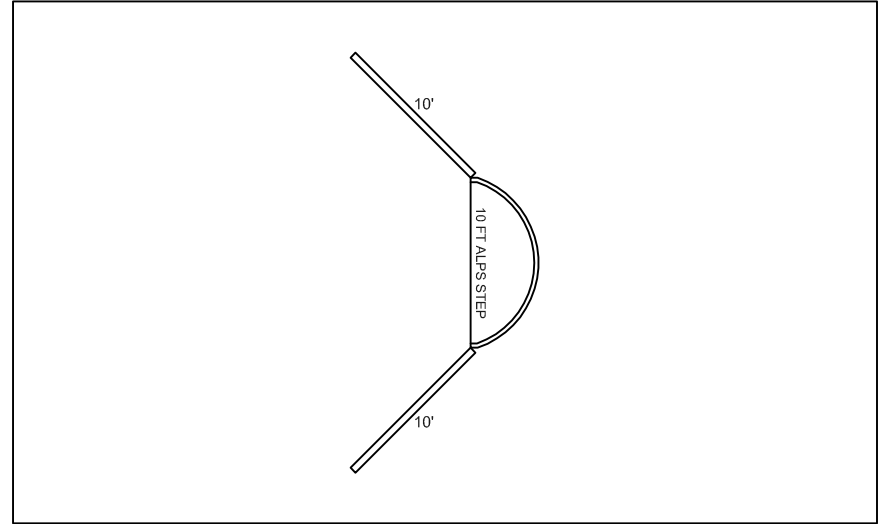
**MEGNA  
POOLS**

Magna Plastic Packaging Corp.

SIZE: 24'-2" x 24'-2"	SHAPE: OCTAGON	HAND: N/A	DWG# <b>26 FT F</b>
PER.: 80'	S.A.: 482.84 ft <sup>2</sup>	VOL.: 0.00 gal.us	DATE: 15/01/2010
PER.: 24.38 m	S.A.: 44.86 m <sup>2</sup>	VOL.: 0.00 liters	DRAWN BY: BCC
APPROVED:			

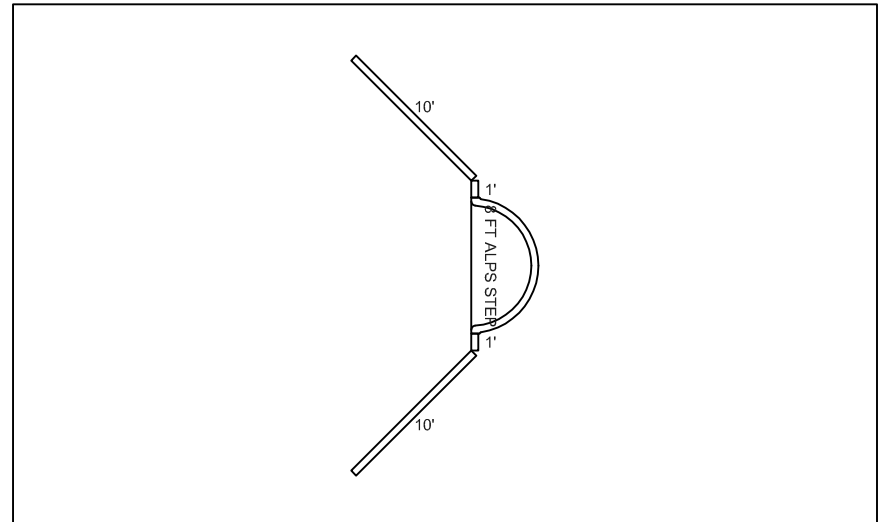
DESCRIPTION	QTY
10' STR	-1
10FT ALPS S	+1
45° O/C	-8
A-FRAMES	+8

### OPTION #1



DESCRIPTION	QTY
1' STR	+2
10' STR	-1
8FT ALPS S	+1
45° O/C	-8
A-FRAMES	+10

### OPTION #2



KIT REF# MN2626-OC-10