



821 BROCK RD. UNIT 1
 PICKERING, ONT
 L1W 3L6
 TEL:(905)837-1115
 FAX:(905)837-7588

SOLD TO:

WALL PATTERN: _____

TAG NAME: _____

FLOOR PATTERN: _____

DATE: _____

MIL: _____

P.O: _____

MUST PROVIDE PERIMETER

SAFETY LEDGE
 IF LEDGE VARIES PLEASE INDICATE

CHECK OFF BEAD TYPE

TOTAL: _____

[] NO [] YES
 RIGHT LEDGE _____ IN. LEFT LEDGE _____ IN.
 END LEDGE _____ IN.

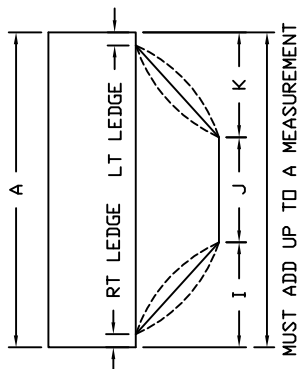
[] STANDARD
 [] OTHER _____
 [] NO BEAD _____ IN. OVERLAP

LEFT HAND

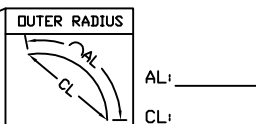
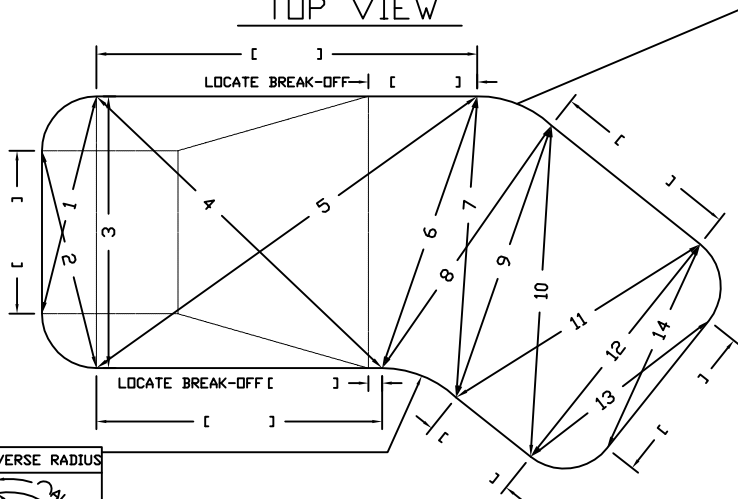
STANDING FROM SHALLOW END

LAZY-L (RADIUS)

END VIEW
 STANDING FROM DEEP END



TOP VIEW



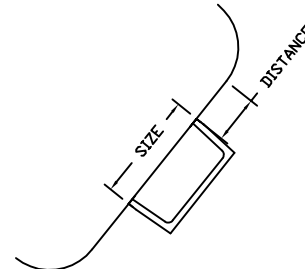
SLOPES

<input type="checkbox"/>	STANDARD
<input type="checkbox"/>	CONVEX
<input type="checkbox"/>	CONCAVE

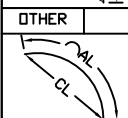
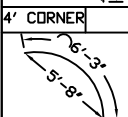
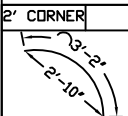
MEASUREMENTS

A	
B	
C	
D	
D2	
E	
F	
G	
H	
I	
J	
K	
1	
2	
3	
4	
5	
6	
7	
9	
10	
11	
12	
13	
14	

JUST AN EXAMPLE!
 IF STEP IS RADIUS
 PLEASE INDICATE

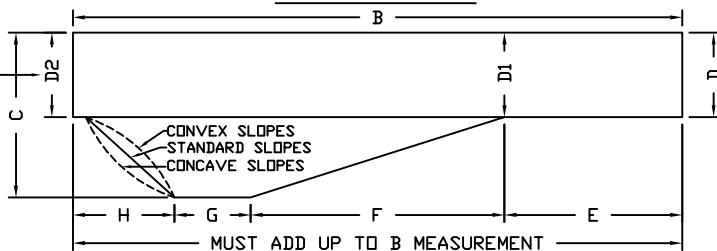


INDICATE CORNER TYPE



IF DEEP END WALL
 IS DIFFERENT THEN
 SHALLOW END WALL

SIDE VIEW



ATTENTION
 INDICATE WHERE THE STEP IS LOCATED.
 PROVIDE THE SIZE OF STEP AND A
 MEASUREMENT FROM THE CLOSEST PANEL
 JOINT, AS SHOWN IN THE EXAMPLE.

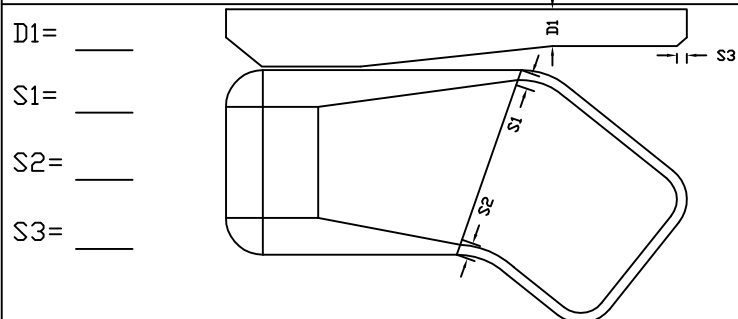
SIZE OF STEP

--

DISTANCE

--

COVE PROFILE



DEEPER BREAK PROFILE

